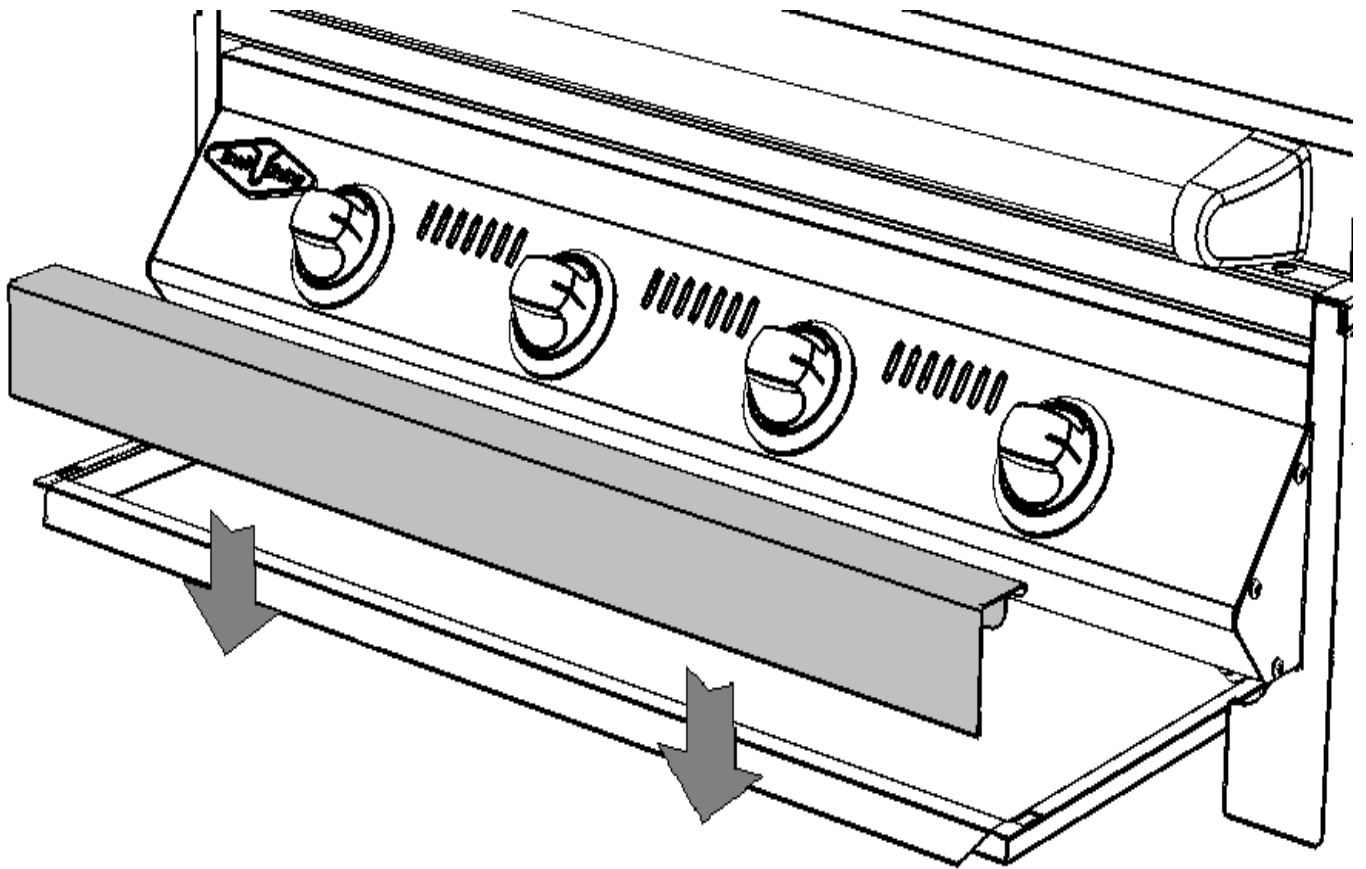


Trim Kit for Signature 3000E/S 4 burner built-in barbecue



Product Details

FEATURES

Trim Kit
Professional and highly
adaptive barbecue trim kit
which is perfect for providing
a seamless finishing touch to
your outdoor barbecuing area.

Specifications

ACCESSORIES

PRODUCT PROFILE

Product Relates to	BBQ
--------------------	-----

Design family	Signature
---------------	-----------

SHIPPING AND STUFFING QUANTITIES

SHIPPING

Shipping Weight (Kg)	4.5
----------------------	-----

Pack Dimensions Height (mm)	880
-----------------------------	-----

Pack Dimension Width (mm)	90
---------------------------	----

Pack Dimension Depth (mm)	70
---------------------------	----

BEEFEATER FILTER TYPE

BeefEater Filter Type	Installation
-----------------------	--------------

Terms and Conditions

IMPORTANT

This is a guide of product dimensions only. For complete installation instructions, refer to the manual provided with product.

PRODUCT INFORMATION

The descriptors and illustrations in this publication apply to the specific products and models described as at the date of issue. Under our policy of continuous product development, product specifications may change without notice. Prospective purchasers should therefore check with their retailer to ensure this publication correctly describes the products that are being offered for sale. All information supplied is to be used for general reference purposes only and is on the understanding that Electrolux Home Products Pty Ltd (Australia) and Electrolux (NZ) Ltd (New Zealand) will not be liable for any loss, liability or damage of whatever kind arising as a result of reliance on such information. Colours of products illustrated are as close as printing limitations allow. Electrolux will at all times comply with its obligations pursuant to law including Trade Practices (Australian Consumer Law) Act and Regulations.

WARRANTY

This warranty only applies to Appliances purchased and used in Australia or New Zealand and used in normal domestic applications and is in addition to (and does not exclude, restrict, or modify in any way) any non-excludable statutory warranties in Australia or New Zealand. All warranties are subject to the conditions set out in the warranty card accompanying the product when purchased.

ELECTROLUX HOME PRODUCTS AUSTRALIA

telephone: 1300 363 640

fax: 1800 350 067

email: customercare@electrolux.com.au

web: www.electrolux.com.au

ELECTROLUX HOME PRODUCTS NEW ZEALAND

telephone: 09 573 2230

fax: 09 573 2221

email: customercare@electrolux.co.nz

web: www.electrolux.co.nz