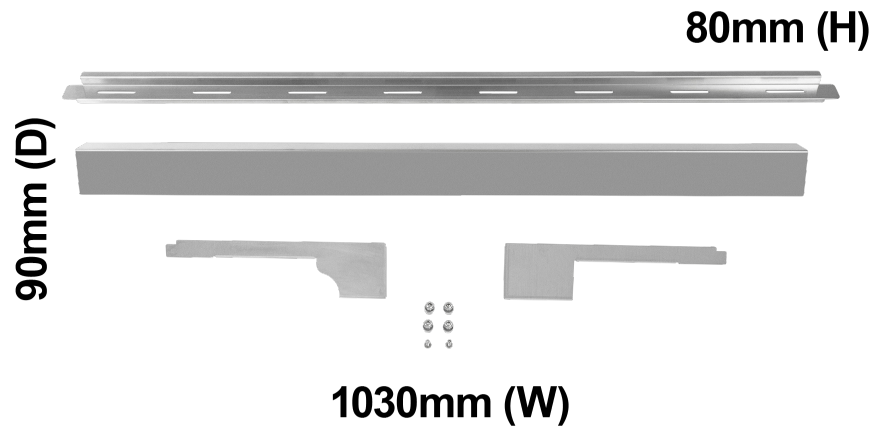


Trim Kit for Signature 3000E/S 5 burner built-in barbecue



## Product Details

### FEATURES

---

Trim Kit  
Professional and highly  
adaptive barbecue trim kit  
which is perfect for providing  
a seamless finishing touch to  
your outdoor barbecuing area.

---

### BENEFITS

---

Seamless integration for your built-in BBQ

---

## Specifications

### ACCESSORIES

---

#### PRODUCT PROFILE

---

Domestic warranty details (yrs)	1
Product Relates to	BBQ
Design family	Signature
Items included	1 hotplate,2 hotplates,3 hotplates,1 grill

---

#### DIMENSIONS

---

Total height (mm)	1
Total width (mm)	1
Total depth (mm)	1

---

### OUTDOOR KITCHENS

---

#### PRODUCT PROFILE

---

### SPECIFICATIONS

---

Material	cast iron, enamel
Finish	stainless steel, amber

---

### FEATURES

---

Accessory Other Features	Stainless steel, dishwasher safe, non-stick surface, enameled tray, ribbed base
Side burner trivet type	cast iron trivet, reversible cast iron trivet
Side burner features	QuadBurner, Removable Lid, Four way cooking

---

### SHIPPING AND STUFFING QUANTITIES

---

#### SHIPPING

---



Design Family	Signature,Signature ProLine
Items included	3 Door storage cabinet,1 Drawer,2 Drawer,3 Drawer,4 Drawer,Waste compartment,BBQ trim,Side burner trim,Rangehood,Corner unit,BBQ
Benchtop finish	Polished granite,Granite,Glass
Mounting type	Castors
Suitable for outdoor undercover use	Yes
IPX Rating	1

Shipping Weight (Kg)	1.913
Pack Dimensions Height (mm)	90
Pack Dimension Width (mm)	420
Pack Dimension Depth (mm)	70

### STUFFING QUANTITIES

20ft	1
40ft	1
40ft HC	1

### BEEFEATER FILTER TYPE

BeefEater Filter Type	Outdoor Kitchens
-----------------------	------------------

# Terms and Conditions

## IMPORTANT

This is a guide of product dimensions only. For complete installation instructions, refer to the manual provided with product.

## PRODUCT INFORMATION

The descriptors and illustrations in this publication apply to the specific products and models described as at the date of issue. Under our policy of continuous product development, product specifications may change without notice. Prospective purchasers should therefore check with their retailer to ensure this publication correctly describes the products that are being offered for sale. All information supplied is to be used for general reference purposes only and is on the understanding that Electrolux Home Products Pty Ltd (Australia) and Electrolux (NZ) Ltd (New Zealand) will not be liable for any loss, liability or damage of whatever kind arising as a result of reliance on such information. Colours of products illustrated are as close as printing limitations allow. Electrolux will at all times comply with its obligations pursuant to law including Trade Practices (Australian Consumer Law) Act and Regulations.

## WARRANTY

This warranty only applies to Appliances purchased and used in Australia or New Zealand and used in normal domestic applications and is in addition to (and does not exclude, restrict, or modify in any way) any non-excludable statutory warranties in Australia or New Zealand. All warranties are subject to the conditions set out in the warranty card accompanying the product when purchased.

### ELECTROLUX HOME PRODUCTS AUSTRALIA

telephone: 1300 363 640

fax: 1800 350 067

email: [customercare@electrolux.com.au](mailto:customercare@electrolux.com.au)

web: [www.electrolux.com.au](http://www.electrolux.com.au)

### ELECTROLUX HOME PRODUCTS NEW ZEALAND

telephone: 09 573 2230

fax: 09 573 2221

email: [customercare@electrolux.co.nz](mailto:customercare@electrolux.co.nz)

web: [www.electrolux.co.nz](http://www.electrolux.co.nz)