

9kg UltimateCare 900 heat pump dryer with 9 star energy efficiency. Steam to reduce wrinkles by up to 50%, Wi-Fi enable, featuring Woolmark Blue certification, advanced 3DSense technology, refresh cycle, and reverse tumbling action



Product Details

FEATURES

Connectivity

Get Connected via the Electrolux app for better, more convenient clothes care.

SensiCare

SensiCare dynamically measures and adjusts the drying time to protect garments from over drying.

Woolmark Blue

The Woolmark-certified cycle is gentle for your hand and machine washable wool garments. **The wool cycle is certified The Woolmark Company. Follow the garment care label for drying and other laundry instructions.

Hygiene

The Hygiene cycle dries while removing 99.9% of common bacteria and viruses. ** Tested for Candida albicans, MS2 Bacteriophage and Escherichia coli in external test performed by Swisstat Testmaterialien AG in 2021 (Test Report No. 20212038).

Heat Pump Technology

Heat Pump technology protects fabrics by drying effectively at lower temperatures using less energy.

DelicateCare

DelicateCare perfectly cares for even your most delicate garments.

3DSense

3DSense Technology dries and protects down jackets* and leaves no damp spots even on duvets**. **External test to ISO 11092. **Internal test on duvets up to 2.5kg, with synthetic and natural feather filling. "

SteamCare

SteamCare reduces wrinkles by 50%* after drying and refreshes clothes for easy ironing.

BENEFITS

APP-CONNECTED CLOTHES CARE

Link your appliance to the Electrolux app to enjoy the ease of remote control. Get real-time status updates, resource-saving advice and garment care tips with Connected.

DRY AND PRESERVE YOUR CLOTHES

SensiCare measures the temperature and humidity within the drum and dynamically adjusts the time and energy consumption accordingly, so garments are protected from over drying.

WASHABLE WOOLLEN SAFE

Confidently dry your most precious woollen garments that are labelled machine or handwashable. Our Woolmark Blue certified dryers meet specified criteria that protects wool fibres from damage during the drying, helping to preserve your woollens for longer. *The wool cycle is certified by The Woolmark Company. Follow the garment care label for drying and other laundry instructions.

REMOVES BACTERIA AND VIRUSES*

"The Swisstatest verified Hygiene cycle runs above 60°C, drying while sanitising items, removing more than 99.9% of common bacteria and viruses.* Now you can dry duvets, pillows and clothes with confidence.* Tested for Candida albicans, MS2 Bacteriophage and Escherichia coli in external test performed by Swisstatest Testmaterialien AG in 2021 (Test Report No. 20212038).

DRIES WITH 60% LESS ENERGY*

Heat pump technology efficiently keeps your clothes lasting longer by drying at much lower temperatures than conventional dryers. It cares for your delicate garments while using up to 60% less energy.* *60% lower energy consumption of Heat Pump tumble dryer (HPTD) compared to Condenser tumble dryer at the same load.

TAILORED DRYING FOR DELICATES

The DelicateCare Heat Pump Dryer adjusts the temperature and motion of the drum to specific fabrics, ensuring tailored care. Silks retain their shape, woollens resist shrinking and waterproofing is protected. Woolmark Blue certified.

PRECISION DRYING, NO DAMP SPOTS

3DSense, our most advanced drying technology and market-leading innovation, scans the moisture level in garments for precise, complete drying. Down jackets are kept like new, warmth and fluffiness 100% restored*. *Regardless of thickness, tests on duvets show perfect drying with no damp spots.**External test to ISO 11092.**Internal test on duvets up to 2.5kg, with synthetic and natural feather filling.

REFRESH CLOTHES & REDUCE WRINKLES BY 50%*

With the unique technology of our SteamCare dryer, reduce wrinkles in freshly dried clothes by up to 50%* for easy ironing. Or simply refresh stale clothes, quickly removing odours from food or smoke and returning a feeling of freshness to your garments.*Internal test on 100% cotton woven fabric.

Specifications

PRODUCT PROFILE

Domestic warranty details (yrs) 2

Dryer Type heat pump

Design family (eline) UC3

Capacity (Kg) 9

Wall mount option no

ENERGY

Energy Efficiency Star Rating 9

Energy Consumption (KWhr/yr) 129

BUTTON FUNCTIONS

DIMENSIONS

Total height (mm) 850

Total width (mm) 596

Total depth (mm) 662

CONTROLS

Type of controls Touch button,SmartSelect,electronic rotary

Type of display LED

Fabric type cotton,synthetics,wool,silk,delicate,normal selection

DRYING PROGRAMS

BUTTON FUNCTIONS

Functions	power/on/off,Dryness Level,Remote,Time Dry,SyncDry,Steam,Start/Pause
-----------	--

DRYING PROGRAMS

Drying Programs	Cotton,Synthetic,Delicate,Silk,Duvet,Wool,Eco Cotton,Denim,Easy Iron,Bedding+,Hygiene,Quick 3kg,Mixed Dry,Linen,Sports+,Towels,Steam Refresh
-----------------	--

Degree of dryness	extra,maximum,Standard
-------------------	------------------------

Venting	directional front vent grille
---------	-------------------------------

DRUM

Spin tub material	stainless steel
-------------------	-----------------

DOOR

Type	glass insert
------	--------------

Dryer Door colour	Dark Onyx
-------------------	-----------

Door safety	child lock
-------------	------------

CABINET

Cabinet Colour	Dark Onyx
----------------	-----------

Cabinet material	painted galvanized steel
------------------	--------------------------

TECHNICAL

Dryer Lint filter position	front pocket
----------------------------	--------------

Buzzer	end of cycle
--------	--------------

Dryer Element watts	0
---------------------	---

SHIPPING

STUFFING QUANTITIES

SHIPPING

Shipping Weight (Kg)	53
----------------------	----

Pack Dimensions Height (mm)	872
-----------------------------	-----

Pack Dimension Width (mm)	635
---------------------------	-----

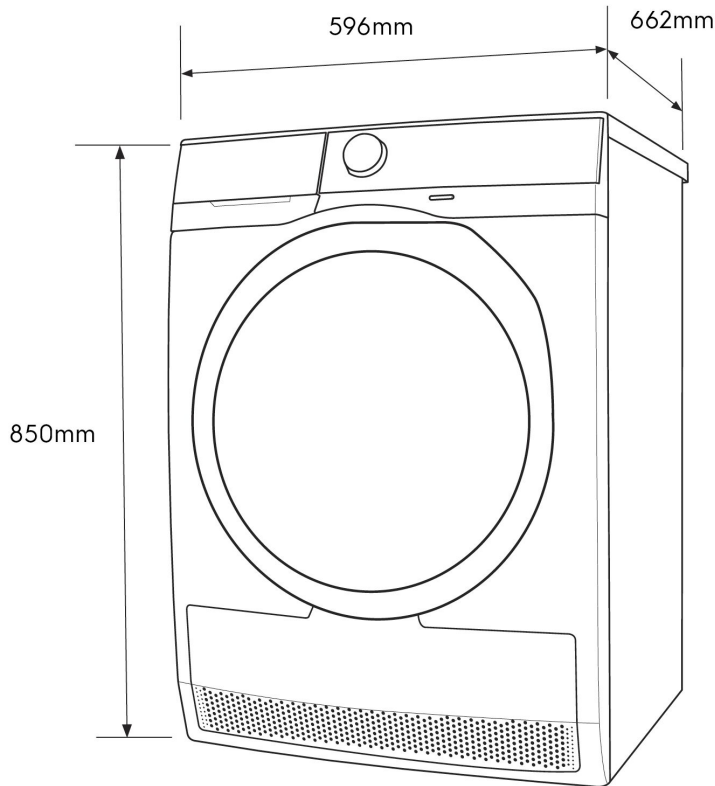
Pack Dimension Depth (mm)	675
---------------------------	-----

STUFFING QUANTITIES

40ft HC	150
---------	-----

Dimensions

Model:
EDH902R9SC



© 2024 Electrolux S.E.A PTE. LTD. ELX_IM_Diag_EDH902R9SC_ANZ_Jul24

Terms and Conditions

IMPORTANT

This is a guide of product dimensions only. For complete installation instructions, refer to the manual provided with product.

PRODUCT INFORMATION

The descriptors and illustrations in this publication apply to the specific products and models described as at the date of issue. Under our policy of continuous product development, product specifications may change without notice. Prospective purchasers should therefore check with their retailer to ensure this publication correctly describes the products that are being offered for sale. All information supplied is to be used for general reference purposes only and is on the understanding that Electrolux Home Products Pty Ltd (Australia) and Electrolux (NZ) Ltd (New Zealand) will not be liable for any loss, liability or damage of whatever kind arising as a result of reliance on such information. Colours of products illustrated are as close as printing limitations allow. Electrolux will at all times comply with its obligations pursuant to law including Trade Practices (Australian Consumer Law) Act and Regulations.

WARRANTY

This warranty only applies to Appliances purchased and used in Australia or New Zealand and used in normal domestic applications and is in addition to (and does not exclude, restrict, or modify in any way) any non-excludable statutory warranties in Australia or New Zealand. All warranties are subject to the conditions set out in the warranty card accompanying the product when purchased.

ELECTROLUX HOME PRODUCTS AUSTRALIA

telephone: 1300 363 640

fax: 1800 350 067

email: customercare@electrolux.com.au

web: www.electrolux.com.au

ELECTROLUX HOME PRODUCTS NEW ZEALAND

telephone: 09 573 2230

fax: 09 573 2221

email: customercare@electrolux.co.nz

web: www.electrolux.co.nz