

UltimateCare 900 heat pump dryer. With an 9kg capacity, 3D Sense technology and a huge range of features, you will enjoy exceptional results every time. The innovative 3D Sense heat pump system ensures gentle drying, high performance and energy efficiency with a 9 star energy rating. Plus the Advanced SensiCare function gently dries your clothes without over drying.



Product Details

FEATURES

Woollens and silks programs

Special programs for easy iron

Reversing tumble action

Time drying

Drum Light
Extra visibility with the brilliant LED Drum Light

Drain kit included
Drains excess water so you don't need to empty the water tank manually

BENEFITS

GOODBYE UNEVEN DRYING.

Say goodbye to unevenly dried clothes, and hello to precision drying. The 3DSense technology measures the humidity and dampness of the load and adjusts the drying time accordingly to ensure all fabrics, even silk and wool, will be dried with optimal, precise care and giving consistent results, every time.

Advanced SensiCare

Your clothes will be dried almost perfectly with Advanced SensiCare. Humidity sensors are activated throughout each cycle to eliminate over drying, which can be harmful to fabrics. So, you enjoy optimal drying accuracy, along with exceptional care and performance.

Careful drying, every time

With Electrolux's Delicate Care technology, every garment is dried at the temperature that suits it best. The fast drum movement on the wool cycle ensures wools are kept flat to reduce shrinkage. Alternatively select the silk cycle to ensure your delicate silks are gently kept aloft to keep their shape. The dryer measures the exact humidity and temperature to protect from over-drying, while the intuitive tumble action helps dry clothes more gently and evenly. So, when you open the door, your clothes will look and feel fresh and ready to wear again.

Gentle on the ears

Inverter technology is designed to be discreet and unobtrusive. Feel free to turn your dryer on any time of the day or night, without it interfering with anything else you're doing.

Nice on knits

Our Woolmark Blue certification ensures your prized hand wash only woollens can be dried safely, with no felting or shrinking.

Woolmark Blue Accreditation

Taking care of your precious woollen garments is now even easier with our advanced Woolmark Certified Woollen cycle. Created especially for hand wash only woollen garments, you can now safely dry your woollens without shrinking.

Large Reversible Door

Everyones laundry is different. Thats why we designed a large reversible door to accommodate those tight spaces and side-by-side installations. You can easily change the direction of the door opening yourself to suit your requirements. Plus, the large door size also allows you to load and unload your dryer with ease.

Soft Touch Drum

With its raised circular texture, the Soft Touch Drum creates a gentle environment for delicate clothing by minimising prolonged contact clothing makes with the drum.

Specifications

PRODUCT PROFILE

Domestic warranty details (yrs) 2

Dryer Type inverter heat pump

Capacity (Kg) 9

Wall mount option no

ENERGY

Energy Efficiency Star Rating 9

Energy Consumption (KWhr/yr) 129

BUTTON FUNCTIONS

Reminder/ Indicators end of cycle,empty water container,child safety lock door,time remaining,child lock

DIMENSIONS

Total height (mm) 850

Total width (mm) 600

Total depth (mm) 662

CONTROLS

Type of controls Touch button,rotary

Options available delay start,extra silent,Extra Anticrease,Reverse Plus,End Alert,Time Dry,time dry,internal drum light,Dryness

Type of display LCD

DRYING PROGRAMS

Drying Programs Delicate,Silk,Refresh,Duvet,Wool,Favourite,Drying Rack,Bedding+,Mixed+,Cotton,Energy Saver,App Program,Hygienic Care

BUTTON FUNCTIONS

Functions	auto sensing,advanced sensor dry,reverse tumbling drum action,LED drum light,temperature settings,Dryness
-----------	---

DRUM

Spin tub material	stainless steel
-------------------	-----------------

CABINET

Cabinet Colour	white
Cabinet material	painted galvanized steel

SHIPPING

DOOR

Type	See through door
Dryer Door colour	silver
Door safety	door safety switch

TECHNICAL

Service cord length	1450
Dryer Lint filter position	front pocket
Buzzer	end of cycle
Dryer Element watts	0
Noise level dBA	64

STUFFING QUANTITIES

SHIPPING

Shipping Volume (m3)	.409
----------------------	------

Shipping Weight (Kg)	62
----------------------	----

Pack Dimensions Height (mm)	900
-----------------------------	-----

Pack Dimension Width (mm)	640
---------------------------	-----

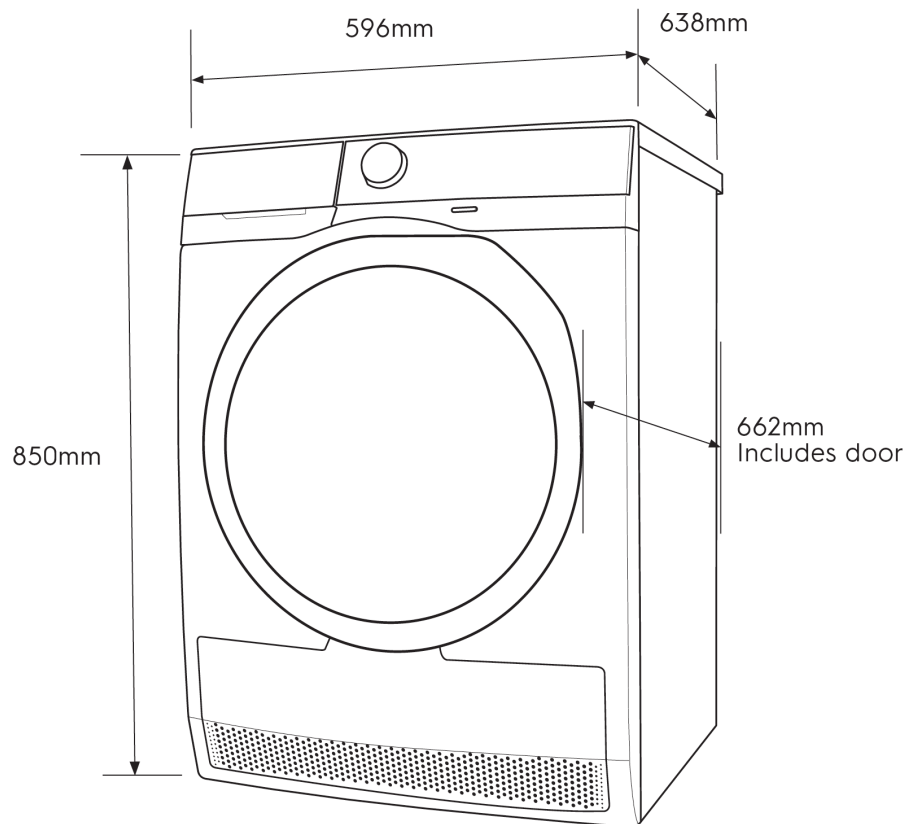
Pack Dimension Depth (mm)	710
---------------------------	-----

STUFFING QUANTITIES

40ft HC	147
---------	-----

Dimensions

Model:
EDH913R9WB



© 2022 Electrolux S.E. A PTE. LTD. E_DIM_EDH913R9WB_Dec22

Terms and Conditions

IMPORTANT

This is a guide of product dimensions only. For complete installation instructions, refer to the manual provided with product.

PRODUCT INFORMATION

The descriptors and illustrations in this publication apply to the specific products and models described as at the date of issue. Under our policy of continuous product development, product specifications may change without notice. Prospective purchasers should therefore check with their retailer to ensure this publication correctly describes the products that are being offered for sale. All information supplied is to be used for general reference purposes only and is on the understanding that Electrolux Home Products Pty Ltd (Australia) and Electrolux (NZ) Ltd (New Zealand) will not be liable for any loss, liability or damage of whatever kind arising as a result of reliance on such information. Colours of products illustrated are as close as printing limitations allow. Electrolux will at all times comply with its obligations pursuant to law including Trade Practices (Australian Consumer Law) Act and Regulations.

WARRANTY

This warranty only applies to Appliances purchased and used in Australia or New Zealand and used in normal domestic applications and is in addition to (and does not exclude, restrict, or modify in any way) any non-excludable statutory warranties in Australia or New Zealand. All warranties are subject to the conditions set out in the warranty card accompanying the product when purchased.

ELECTROLUX HOME PRODUCTS AUSTRALIA

telephone: 1300 363 640

fax: 1800 350 067

email: customercare@electrolux.com.au

web: www.electrolux.com.au

ELECTROLUX HOME PRODUCTS NEW ZEALAND

telephone: 09 573 2230

fax: 09 573 2221

email: customercare@electrolux.co.nz

web: www.electrolux.co.nz