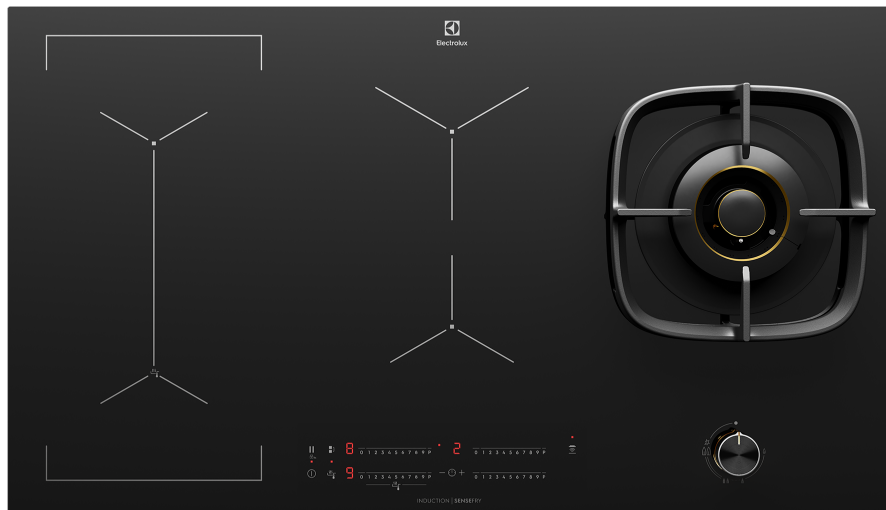


**90cm 4 zone hybrid gas and induction cooktop with 24MJ/h DualFlame gas wok burner, SenseFry, Bridge zone, PowerBoost and Hob2Hood capability**



## Product Details

### FEATURES

---

SenseFry

PowerBoost

Bridge function

Hob2Hood technology

---

Touch and slide controls  
Touch the control bar at the  
necessary heat setting

Pause cooking with Stop and  
Go

24 MJ wok burner

Dual Flame control

---

One hand ignition

LP conversion kit included  
(must be installed by licensed  
tradesman)

### BENEFITS

---

#### 3 YEAR WARRANTY

Because peace of mind should last as long as great design,  
this product has three years of trusted Electrolux support.

\*Available for purchases after 1 March 2026.

#### MATCH THE METHOD TO YOUR MEALS

Enjoy the speed and precision of induction cooking but also  
love the performance of gas? With this versatile combination  
of induction zones and a high power gas burner, you can tailor  
your cooking technique to your culinary repertoire with ease.

---

#### EVEN FRYING. AUTOMATICALLY.

SenseFry measures heat levels and makes automatic  
adjustments under the pan to maintain the ideal temperature for  
even cooking results. Now its easy for you to whip-up evenly  
browned pancakes and juicy steaks at home.

#### SEAR. STIR-FRY. BOIL.

The PowerBoost function gives you an intense heat boost when  
needed, before automatically dropping to the highest power  
level. Perfect for pan searing fish, stir-frying crunchy  
vegetables, or bringing water to the boil quickly.

---

#### COMBINE ZONES FOR MORE FLAVOUR

The Bridge function allows you to combine two separate  
cooking zones to create a single large surface. With the  
temperature and time settings automatically aligned, its ideal  
for making the most of planchas or roasting pots.

#### INTENSE HEAT RICH TASTE

The powerful 24 MJ wok burner provides the intense heat  
needed to lock in flavours and textures when stir-frying at high  
temperatures.

#### HANDS-FREE HOOD

Hob2Hood automatically switches on your extractor hood when you start cooking and adjusts the fan speed based on how you are using your hob. This means you can boil, sear or stir-fry without having to touch your hood with greasy fingers.

---

## Specifications

### PRODUCT PROFILE

---

Domestic warranty details (yrs)	3
Cooktop type	hybrid
Materials/Colour	black ceramic glass
Removable trim (for cleaning)	No
Wok included designed to fit cooktop	No

---

### CONTROLS

---

Controls of Cooktops	Touch and Slide controls,knob
Functions of Cooktops	automatic warm up,timer,Keep warm function,cooking timer with acoustic signal,automatic switch off,Hob2Hood,stop and go,Bridging,PowerBoost
Indicators/display	fault indicator,3 level residual heat indicator

---

### DIMENSIONS

---

Total product height (mm)	111
Total product width (mm)	910
Total product depth (mm)	520
Cut out width (mm)	880
Cut out depth (mm)	490
Cut out height (mm)	51

---

### FEATURES

---

Trivets	cast iron
Ignition type	electronic under knob ignition

---

## CONTROLS

---

Features of Cooktop	safety cut off,overheating protection,electronic timer,minute minder,function lock,hot surface indicator,auto pot sensors,child safety device lock,flame failure,wok holder,Hob2Hood,Cast iron trivets,Bridge zone,SenseFry
---------------------	---

---

Timer of Cooktop	programmable 99min,auto off,countdown,Minute minder
------------------	---

---

## ELEMENTS/BURNERS

---

### LEFT FRONT ZONE

---

Left front zone	induction
-----------------	-----------

---

Left front Watts	2300
------------------	------

---

Left front boost watts	3200
------------------------	------

---

### CENTRE FRONT ZONE

---

Centre front zone	induction
-------------------	-----------

---

Centre front Watts	1400
--------------------	------

---

### RIGHT FRONT ZONE

---

### LEFT REAR ZONE

---

Left rear zone	induction
----------------	-----------

---

Left rear watts	2300
-----------------	------

---

### CENTRE REAR ZONE

---

Centre rear zone	induction
------------------	-----------

---

Centre rear Watts	1800
-------------------	------

---

## ELECTRICAL SPECIFICATIONS

Right front zone	dual valve wok
------------------	----------------

---

Right front Mj/h	24
------------------	----

---

### GAS SPECIFICATIONS

---

Total burner output(NG)	24
-------------------------	----

---

Position of gas connection	rear right
----------------------------	------------

---

### ELECTRICAL SPECIFICATIONS

---

Connected load KW	7.4
-------------------	-----

---

Type of connection	hardwired
--------------------	-----------

---

Position of connection	rear left
------------------------	-----------

---

### SHIPPING

---

Shipping Volume (m3)	0.115
----------------------	-------

---

Shipping Weight (Kg)	19.2
----------------------	------

---

Pack Dimensions Height (mm)	180
-----------------------------	-----

---

Pack Dimension Width (mm)	1010
---------------------------	------

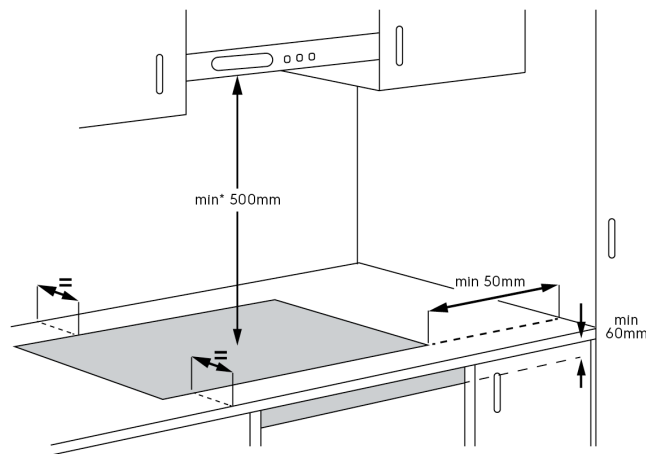
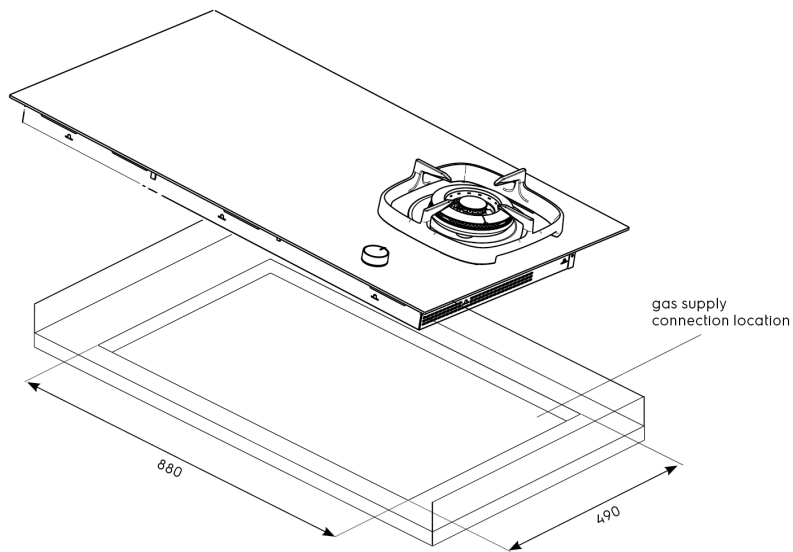
---

Pack Dimension Depth (mm)	630
---------------------------	-----

---

## Dimensions

**Model:**  
EHH957BE



© 2021 Electrolux S.E.A PTE. LTD. E\_DIM\_EHH957BE\_Sep21

## Terms and Conditions

### IMPORTANT

This is a guide of product dimensions only. For complete installation instructions, refer to the manual provided with product.

### PRODUCT INFORMATION

The descriptors and illustrations in this publication apply to the specific products and models described as at the date of issue. Under our policy of continuous product development, product specifications may change without notice. Prospective purchasers should therefore check with their retailer to ensure this publication correctly describes the products that are being offered for sale. All information supplied is to be used for general reference purposes only and is on the understanding that Electrolux Home Products Pty Ltd (Australia) and Electrolux (NZ) Ltd (New Zealand) will not be liable for any loss, liability or damage of whatever kind arising as a result of reliance on such information. Colours of products illustrated are as close as printing limitations allow. Electrolux will at all times comply with its obligations pursuant to law including Trade Practices (Australian Consumer Law) Act and Regulations.

### WARRANTY

This warranty only applies to Appliances purchased and used in Australia or New Zealand and used in normal domestic applications and is in addition to (and does not exclude, restrict, or modify in any way) any non-excludable statutory warranties in Australia or New Zealand. All warranties are subject to the conditions set out in the warranty card accompanying the product when purchased.

#### ELECTROLUX HOME PRODUCTS AUSTRALIA

telephone: 1300 363 640

fax: 1800 350 067

email: [customercare@electrolux.com.au](mailto:customercare@electrolux.com.au)

web: [www.electrolux.com.au](http://www.electrolux.com.au)

#### ELECTROLUX HOME PRODUCTS NEW ZEALAND

telephone: 09 573 2230

fax: 09 573 2221

email: [customercare@electrolux.co.nz](mailto:customercare@electrolux.co.nz)

web: [www.electrolux.co.nz](http://www.electrolux.co.nz)