

**30cm 2 zone induction cooktop with PowerBoost, Stop and Go function, and touch and slide control.  
COMMERCIAL EXCLUSIVE**



## Product Details

### FEATURES

---

#### PowerBoost

PowerBoost gives you an intense heat boost to bring water to the boil quickly.

#### Stop + Go' pause function

Stop + Go' function sets zones to the lowest setting to keep dishes warm and prevent overcooking.

#### Auto pot detection

Pot detection sensors illuminate the controls that match the cooking zone.

#### Auto heat-up

Auto heat-up provides a boost of heat so you don't have to wait as long when you start cooking.

---

#### Timer

Timer automatically turns off the hob after cooking for extra peace-of-mind.

#### AutoOff

The AutoOff function will automatically shut off the hob if it detects that something is amiss.

#### Induction

Induction only heats directly beneath the pan, making it quick, easy-to-clean, efficient, and safe.

#### Power management

Power management redistributes the electrical load to prevent electrical outages.

---

### BENEFITS

---

#### 3 YEAR WARRANTY

Because peace of mind should last as long as great design, this product has three years of trusted Electrolux support.

\*Available for purchases after 1 March 2026.

#### SEAR. STIR-FRY. BOIL.

The PowerBoost function gives you an intense heat boost when needed, before automatically dropping to the highest power level. Perfect for pan searing fish, stir-frying crunchy vegetables, or bringing water to the boil quickly.

---

#### ONE TOUCH TO PAUSE

The pause function is handy if you're suddenly interrupted or must leave the kitchen momentarily. At the touch of a button all cooking zones will be reduced to the lowest heat setting to ensure dishes stay warm, but don't overcook.

#### PLACE POT, ACTIVATE CONTROLS

Let the hob adapt your cooking style, not the other way around. Sensors automatically detect where you place pots on the cooking surface and illuminate the controls, making it easy for you to control each specific area.

---

#### BOOST TO GET STARTED

Don't have the time to wait for the water to boil? Then give it a boost to get going. After selecting the required setting, Auto heat-up boosts the power to get up to temperature faster, so that you can get cooking as quickly as possible.

#### IT'S ALL ABOUT TIMING

Do you sometimes forget to turn off the hob after cooking? You don't have to worry if you set the timer. When the time is out and you're done cooking, your hob will automatically shut off for extra peace-of-mind.

---

## Specifications

### PRODUCT PROFILE

---

Domestic warranty details (yrs)	3
Cooktop type	induction
Materials/Colour	black ceramic glass
Removable trim (for cleaning)	No
Wok included designed to fit cooktop	No

---

### CONTROLS

---

Controls of Cooktops	Touch and Slide controls
Position of controls	front
Functions of Cooktops	timer,automatic switch off,stop and go,automatic warm up,Keep warm function,cooking timer with acoustic signal,PowerBoost
Indicators/display	fault indicator,3 level residual heat indicator

---

### DIMENSIONS

---

Total product height (mm)	51
Total product width (mm)	300
Total product depth (mm)	520
Cut out width (mm)	270
Cut out depth (mm)	490

---

### ELEMENTS/BURNERS

---

#### CENTRE FRONT ZONE

---

Centre front zone	induction
Centre front Watts	1400
Centre front diameter mm	140

---

## CONTROLS

---

Features of Cooktop	minute minder,hot surface indicator,child safety device lock,safety cut off,overheating protection,electronic timer,function lock,auto pot sensors
---------------------	--

---

Timer of Cooktop	programmable 99min,auto off,countdown,Minute minder
------------------	---

---

## CENTRE REAR ZONE

---

Centre rear zone	induction
------------------	-----------

---

Centre rear Watts	2300
-------------------	------

---

Centre rear diameter mm	210
-------------------------	-----

---

## ELECTRICAL SPECIFICATIONS

---

Connected load KW	3.65
-------------------	------

---

Type of connection	hardwired
--------------------	-----------

---

## SHIPPING

---

Shipping Volume (m3)	0.0253
----------------------	--------

---

Shipping Weight (Kg)	6.5
----------------------	-----

---

Pack Dimensions Height (mm)	108
-----------------------------	-----

---

Pack Dimension Width (mm)	390
---------------------------	-----

---

**SHIPPING**

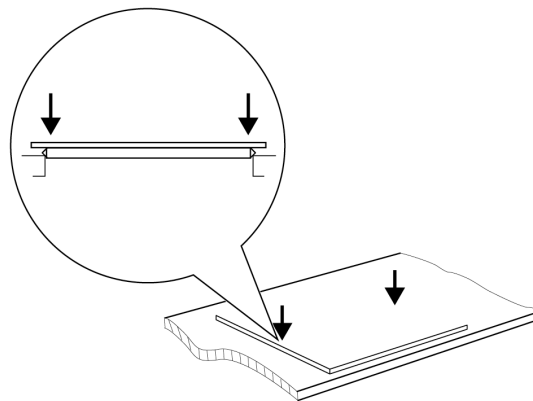
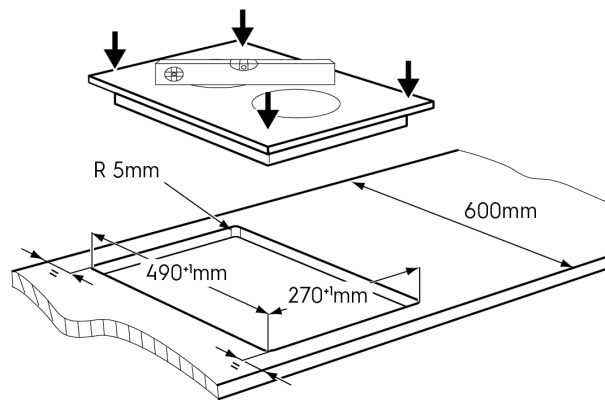
---

Pack Dimension Depth (mm)	600
------------------------------	-----

---

# Dimensions

**Model:**  
EHI321BFA



## Terms and Conditions

### IMPORTANT

This is a guide of product dimensions only. For complete installation instructions, refer to the manual provided with product.

### PRODUCT INFORMATION

The descriptors and illustrations in this publication apply to the specific products and models described as at the date of issue. Under our policy of continuous product development, product specifications may change without notice. Prospective purchasers should therefore check with their retailer to ensure this publication correctly describes the products that are being offered for sale. All information supplied is to be used for general reference purposes only and is on the understanding that Electrolux Home Products Pty Ltd (Australia) and Electrolux (NZ) Ltd (New Zealand) will not be liable for any loss, liability or damage of whatever kind arising as a result of reliance on such information. Colours of products illustrated are as close as printing limitations allow. Electrolux will at all times comply with its obligations pursuant to law including Trade Practices (Australian Consumer Law) Act and Regulations.

### WARRANTY

This warranty only applies to Appliances purchased and used in Australia or New Zealand and used in normal domestic applications and is in addition to (and does not exclude, restrict, or modify in any way) any non-excludable statutory warranties in Australia or New Zealand. All warranties are subject to the conditions set out in the warranty card accompanying the product when purchased.

#### ELECTROLUX HOME PRODUCTS AUSTRALIA

telephone: 1300 363 640

fax: 1800 350 067

email: [customercare@electrolux.com.au](mailto:customercare@electrolux.com.au)

web: [www.electrolux.com.au](http://www.electrolux.com.au)

#### ELECTROLUX HOME PRODUCTS NEW ZEALAND

telephone: 09 573 2230

fax: 09 573 2221

email: [customercare@electrolux.co.nz](mailto:customercare@electrolux.co.nz)

web: [www.electrolux.co.nz](http://www.electrolux.co.nz)