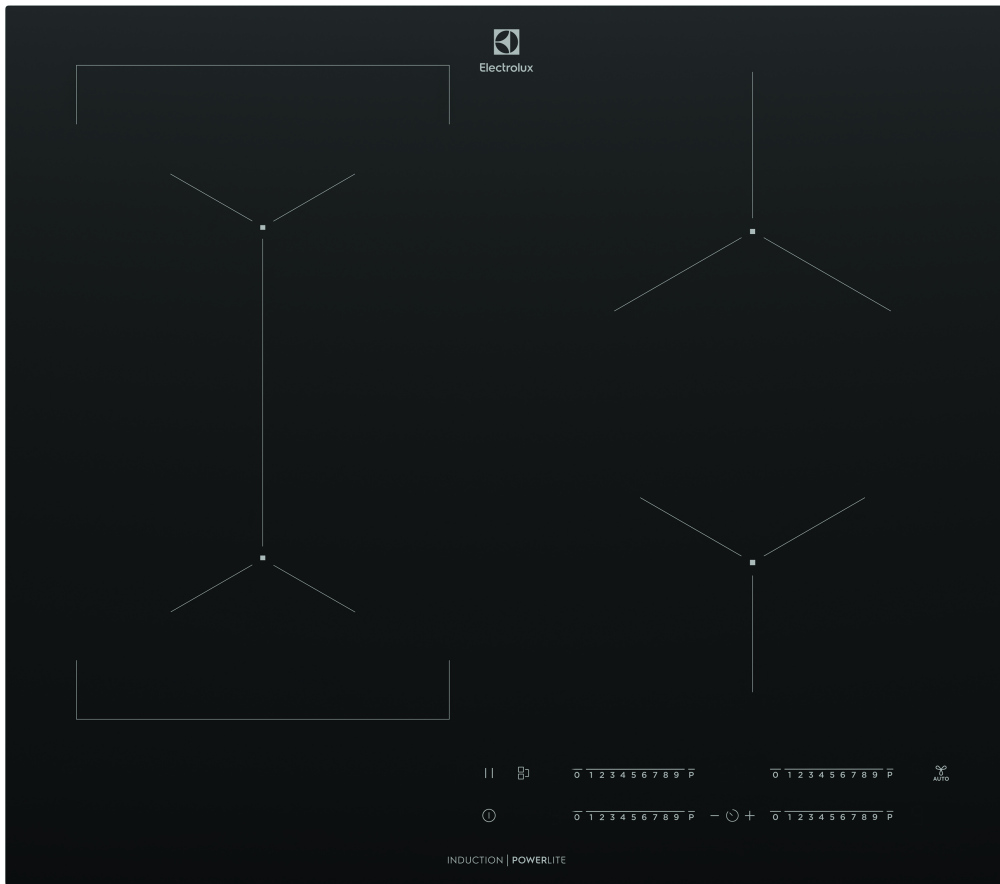


60cm 4 zone PowerLite induction cooktop with Bridge zone, Hob2Hood, PowerBoost, and touch slide controls.



Product Details

FEATURES

Bridge function

PowerBoost

Hob2Hood technology

Touch and slide controls
Touch the control bar at the necessary heat setting

Stop + Go' pause function
Stop + Go' function sets zones to the lowest setting to keep dishes warm and prevent overcooking.

Timer and minute minder

Auto pot detection
Pot detection sensors illuminate the controls that match the cooking zone.

Child lock
The child lock can be turned on to prevent children tampering with the electronic controls.

BENEFITS

COMBINE ZONES FOR MORE FLAVOUR

The Bridge function allows you to combine two separate cooking zones to create a single large surface. With the temperature and time settings automatically aligned, its ideal for making the most of planchas or roasting pots.

SEAR. STIR-FRY. BOIL.

The PowerBoost function gives you an intense heat boost when needed, before automatically dropping to the highest power level. Perfect for pan searing fish, stir-frying crunchy vegetables, or bringing water to the boil quickly.

HANDS-FREE HOOD

Hob2Hood automatically switches on your extractor hood when you start cooking and adjusts the fan speed based on how you are using your hob. This means you can boil, sear or stir-fry without having to touch your hood with greasy fingers.

INTUITIVE TOUCH CONTROLS

Sensitive touch controls take you from simmering to boiling and back again, almost instantly. This controllability allows you to apply precise changes that can take your dishes from tasty to truly delicious. Pan-sear steak with intense heat, and then instantly drop the temperature down to protect that beautifully juicy, medium-rare texture.

MAKE A SEAMLESS SWITCH

Effortlessly transition from your standard electric cooktop to faster and more energy-efficient induction cooking. The PowerLite induction cooktop provides a seamless switch without the hassle of upgrading your current set up if your existing wiring can support a 20A rated current and 4.6kW rated power cooktop*. So you can enjoy the benefits of induction cooking in no time.*Electrical requirements may vary. Please consult with a licensed electrician.

ONE TOUCH TO PAUSE

The pause function is handy if you're suddenly interrupted or must leave the kitchen momentarily. At the touch of a button all cooking zones will be reduced to the lowest heat setting to ensure dishes stay warm, but don't overcook.

Specifications

PRODUCT PROFILE

Domestic warranty details (yrs)	2
---------------------------------	---

Cooktop type	induction
--------------	-----------

Materials/Colour	black ceramic glass
------------------	---------------------

Removable trim (for cleaning)	No
-------------------------------	----

Wok included designed to fit cooktop	No
--------------------------------------	----

DIMENSIONS

Total product height (mm)	51
---------------------------	----

Total product width (mm)	590
--------------------------	-----

Total product depth (mm)	520
--------------------------	-----

Cut out width (mm)	560
--------------------	-----

Cut out depth (mm)	490
--------------------	-----

CONTROLS

Controls of Cooktops	Touch and Slide controls
----------------------	--------------------------

Position of controls	front
----------------------	-------

Functions of Cooktops	stop and go,automatic warm up,timer,automatic switch off,Hob2Hood,PowerBoost,pause,Bridging,Pot detection
-----------------------	---

Indicators/display	residual heat warning lamps
--------------------	-----------------------------

ELEMENTS/BURNERS

LEFT FRONT ZONE

Left front zone	induction extended
-----------------	--------------------

Left front Watts	2300
------------------	------

Left front boost watts	3200
------------------------	------

Left front diameter mm	210
------------------------	-----

CONTROLS

Features of Cooktop	safety cut off,minute minder,function lock,pot sensors,Hob2Hood,Bridge zone,safety child lock
---------------------	---

Timer of Cooktop	auto off,countdown,Minute minder
------------------	----------------------------------

LEFT REAR ZONE

Left rear zone	induction extended
----------------	--------------------

Left rear watts	2300
-----------------	------

Left rear diameter mm	210
-----------------------	-----

RIGHT FRONT ZONE

Right front zone	induction
------------------	-----------

Right front Watts	1400
-------------------	------

Right front diameter mm	140
-------------------------	-----

RIGHT REAR ZONE

Right rear zone	induction
-----------------	-----------

Right rear watts	1800
------------------	------

Right rear diameter mm	180
------------------------	-----

ELECTRICAL SPECIFICATIONS

Connected load KW	4.6
-------------------	-----

Maximum current rating (amps)	20
-------------------------------	----

Type of connection	hardwired
--------------------	-----------

SHIPPING

Shipping Volume (m3)	0.048
----------------------	-------

SHIPPING

Shipping Weight (Kg)	11.3
----------------------	------

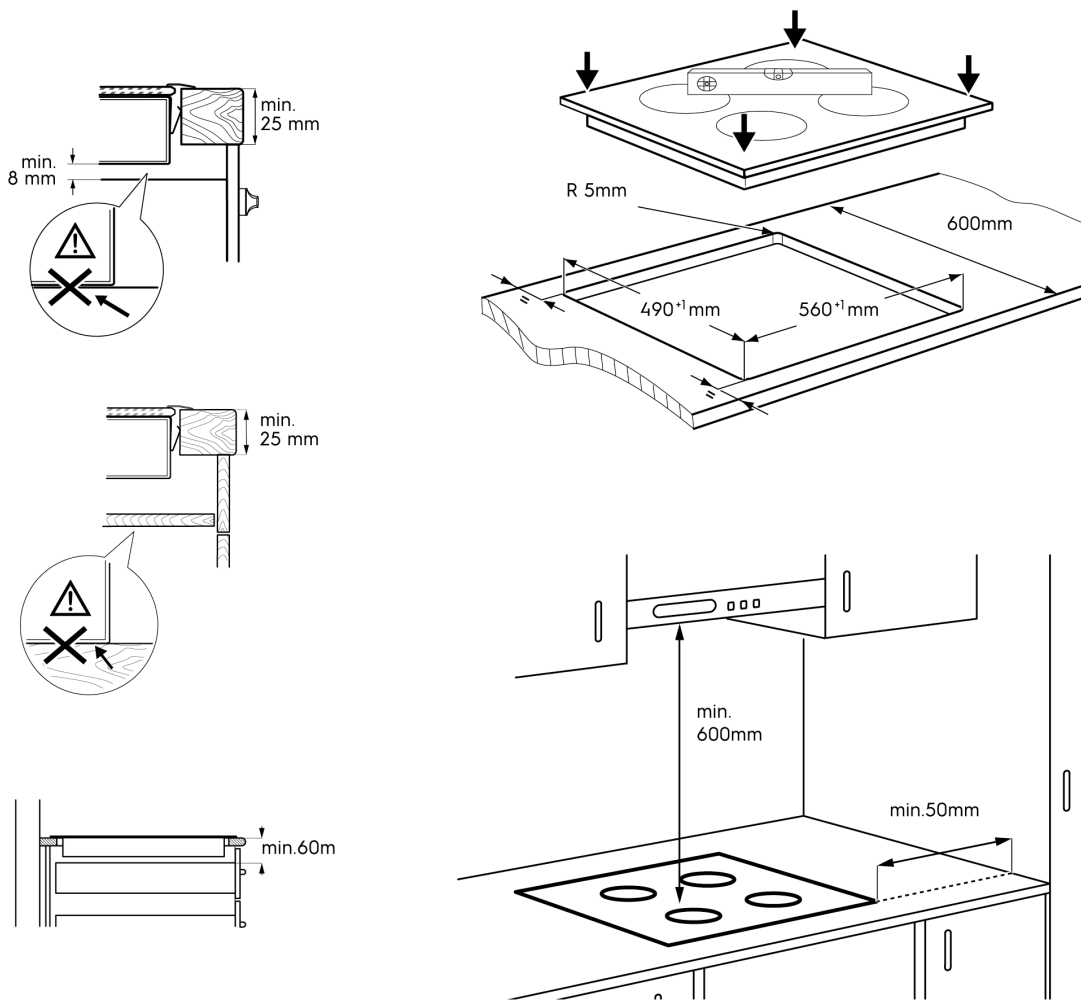
Pack Dimensions Height (mm)	118
-----------------------------	-----

Pack Dimension Width (mm)	680
---------------------------	-----

Pack Dimension Depth (mm)	600
---------------------------	-----

Dimensions

Model:
EHI644BF



© 2024 Electrolux S.E. A PTE. LTD. ELX_IM_Diag_EHI644BF_NA_Apr24

Terms and Conditions

IMPORTANT

This is a guide of product dimensions only. For complete installation instructions, refer to the manual provided with product.

PRODUCT INFORMATION

The descriptors and illustrations in this publication apply to the specific products and models described as at the date of issue. Under our policy of continuous product development, product specifications may change without notice. Prospective purchasers should therefore check with their retailer to ensure this publication correctly describes the products that are being offered for sale. All information supplied is to be used for general reference purposes only and is on the understanding that Electrolux Home Products Pty Ltd (Australia) and Electrolux (NZ) Ltd (New Zealand) will not be liable for any loss, liability or damage of whatever kind arising as a result of reliance on such information. Colours of products illustrated are as close as printing limitations allow. Electrolux will at all times comply with its obligations pursuant to law including Trade Practices (Australian Consumer Law) Act and Regulations.

WARRANTY

This warranty only applies to Appliances purchased and used in Australia or New Zealand and used in normal domestic applications and is in addition to (and does not exclude, restrict, or modify in any way) any non-excludable statutory warranties in Australia or New Zealand. All warranties are subject to the conditions set out in the warranty card accompanying the product when purchased.

ELECTROLUX HOME PRODUCTS AUSTRALIA

telephone: 1300 363 640

fax: 1800 350 067

email: customercare@electrolux.com.au

web: www.electrolux.com.au

ELECTROLUX HOME PRODUCTS NEW ZEALAND

telephone: 09 573 2230

fax: 09 573 2221

email: customercare@electrolux.co.nz

web: www.electrolux.co.nz