

620L four door french door refrigerator with stainless steel doors, bar handles, 3 star energy rating and R600a refrigerant



Product Details

FEATURES

Mark-resistant stainless steel door finish

External electronic control
This great feature gives push button fridge and freezer temperature control, as well as offering a bottle chill alarm, door alarm, quick chill function and holiday mode settings.

Separate temperature controls for fridge and freezer

Fresh Sense deodoriser
Keep your fridge and its contents smelling fresh with the in-built Fresh Sense deodoriser.

More environmentally friendly R600a refrigerant
R600a is a non-synthetic refrigerant, with a lower global warming potential than conventional refrigerants used in most fridges.

Multi-flow air delivery
With an intelligent airflow system that evenly disperses air to ensure optimum temperatures, your food will be kept fresher for longer.

Frost-free
With the Electrolux frost free system, there's no more ice build up in your fridge or freezer, eliminating the need for defrosting.

Twist ice and serve (removable)
make ice with ease and cool drinks at a twist

Door alarm

Fast freeze
Rapidly freeze large amounts of food, without affecting your fridge's temperature

Freezer baskets with clear fascia
Makes finding items simple.

Full length designer bar handles
Adds style and elegance to your kitchen.

Extra wide fridge compartment

Two door freezer compartment
Keeps your freezer working more efficiently.

Vacation (holiday) mode
reduces energy wastage when the fridge is not being used for an extended period

Child lock
The child lock can be turned on to prevent children tampering with the electronic controls.

4 castors

BENEFITS

Mark-resistant stainless steel

With an invisible, mark-resistant coating to help protect the exterior from fingerprints and grime, it couldn't be easier to keep your fridge in pristine condition.

Extra wide fridge compartment

Perfect for those who love to entertain, the spacious interior is large enough to fit even the biggest party platters. And with multiple drawers and compartments, organising and accessing your favourite fresh foods couldn't be easier.

A place for everything

Enjoy the carefully considered interior space and multiple storage solutions. With handy deli drawers, individual crisper bins, deep bottle bins and seven freezer drawers, you can easily store food and drinks of all shapes and sizes.

Enjoy total control

With an eye-catching, streamlined style, the electronic touch controls make a stylish kitchen statement. They're also easy to reach and use, which makes programming your fridge a breeze.

Specifications

PRODUCT PROFILE

Domestic warranty details (yrs)	2
---------------------------------	---

Additional domestic warranty for the sealed refrigeration system only (yrs)	3
---	---

Refrigerator Type	french door
-------------------	-------------

Exterior door finish	Stainless steel
----------------------	-----------------

Handle design	bar handle
---------------	------------

Fridge door opening	left and right
---------------------	----------------

Cooling system	frost free
----------------	------------

Freezer door opening	left and right
----------------------	----------------

Refrigerant	R600a
-------------	-------

DIMENSIONS

Total height (mm)	1720
-------------------	------

Cabinet height (mm)	1708
---------------------	------

Total width (mm)	890
------------------	-----

Cabinet width (mm)	890
--------------------	-----

Total depth (mm)	818
------------------	-----

Cabinet depth (mm)	685
--------------------	-----

Depth door open 90degree (mm)	1120
-------------------------------	------

Air space above cabinet (mm)	102
------------------------------	-----

Food compartment capacity (gross in litres)	372
---	-----

Freezer compartment capacity (gross in litres)	252
--	-----

Total Gross Capacity (L)	624
--------------------------	-----

ENERGY

REFRIGERATOR SYSTEM

ENERGY

Energy Star Rating AS/NZS 4474.2:2009 3

Energy consumption AS/NZS 4474.2:2009 (kWhr/yr) 536

FOOD COMPARTMENT

DELI-COMPARTMENT

Deli-Compartment Runner system rollers

Half width compartment 2

CRISPERS

Crisper lid/shelf plastic

OTHER PROPERTIES

REFRIGERATOR SYSTEM

Controls electronic (with display)

Controls location external

Controls type buttons

Control functions quick freeze function, vacation mode, freezer temp alarm, multi-flow air delivery

Door alarm fridge and freezer

SHELVING

Shelf material glass

Number of shelf levels 4

Type of shelf spill safe shelf, adjustable shelf

LIGHTING

Main light LED

FOOD COMPARTMENT DOOR

BINS

Other Properties-FOOD
COMPARTMENT

Egg tray

Deep bottle bin 2

Shallow bin 4

DAIRY COMPARTMENT

Full width dairy, one lid 1

FREEZER COMPARTMENT

ICE FACILITY

Ice cube tray 1

Twist ice and serve 1

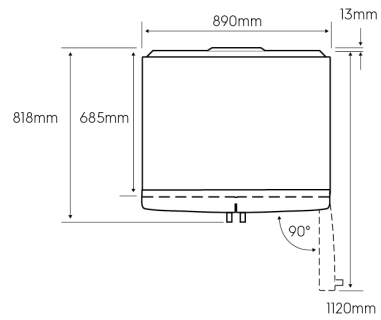
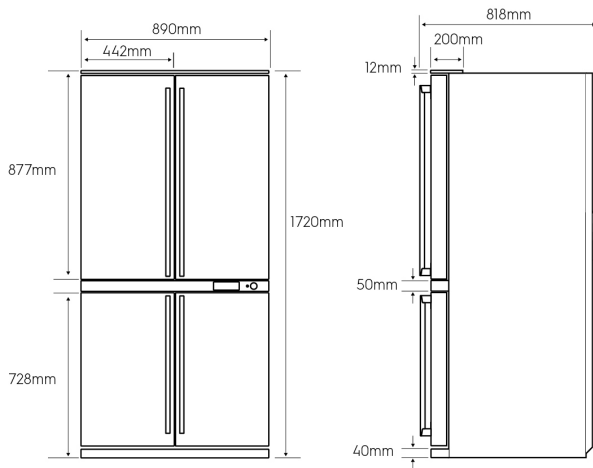
BASKET/DRAWER

Full width plastic basket 3

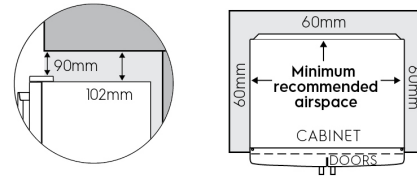
Basket/Drawer runner
system rollers

Full width deep plastic
basket 2

Dimensions

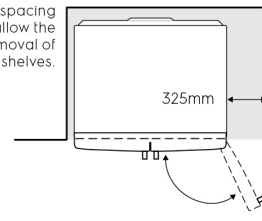


Minimum Recommended Airspaces



NOTE: Doors are designed to sit proud of cabinetry (not flush).

When positioned in a corner area, spacing of at least 325mm on the sides will allow the doors to open enough to enable removal of the crisper bins and shelves.



Terms and Conditions

IMPORTANT

This is a guide of product dimensions only. For complete installation instructions, refer to the manual provided with product.

PRODUCT INFORMATION

The descriptors and illustrations in this publication apply to the specific products and models described as at the date of issue. Under our policy of continuous product development, product specifications may change without notice. Prospective purchasers should therefore check with their retailer to ensure this publication correctly describes the products that are being offered for sale. All information supplied is to be used for general reference purposes only and is on the understanding that Electrolux Home Products Pty Ltd (Australia) and Electrolux (NZ) Ltd (New Zealand) will not be liable for any loss, liability or damage of whatever kind arising as a result of reliance on such information. Colours of products illustrated are as close as printing limitations allow. Electrolux will at all times comply with its obligations pursuant to law including Trade Practices (Australian Consumer Law) Act and Regulations.

WARRANTY

This warranty only applies to Appliances purchased and used in Australia or New Zealand and used in normal domestic applications and is in addition to (and does not exclude, restrict, or modify in any way) any non-excludable statutory warranties in Australia or New Zealand. All warranties are subject to the conditions set out in the warranty card accompanying the product when purchased.

ELECTROLUX HOME PRODUCTS AUSTRALIA

telephone: 1300 363 640

fax: 1800 350 067

email: customercare@electrolux.com.au

web: www.electrolux.com.au

ELECTROLUX HOME PRODUCTS NEW ZEALAND

telephone: 09 573 2230

fax: 09 573 2221

email: customercare@electrolux.co.nz

web: www.electrolux.co.nz