

**Electrolux 90cm touch control Canopy rangehood with stainless steel and glass fascia, 3 speeds and halogen lighting**



## Product Details

### FEATURES

---

Halogen lighting

3 speeds

Centrifugal fan

630m<sup>3</sup>/hr maximum airflow

---

Multi-layer filters

Filter clean reminder

Stainless steel body with chimney

---

### BENEFITS

---

Touch on glass controls

Featuring sleek and stylish touch on glass controls, for easy cleaning and seamless operation

Beautifully designed

Created with sleek lines and a stunning aesthetic, the range has been carefully designed so that each appliance looks individually stunning, yet also fits beautifully together.

---

Improved air quality

Inspired by the demands of professional kitchens, our Inspiration rangehoods quietly and efficiently remove cooking odours, smoke and steam. Air quality is also improved, so you enjoy maximum freshness.

Easy to clean and maintain

Cleaning need not be a chore, and with our Electrolux rangehoods it isn't. Designed to be easy to clean, simply put the removable filters into the dishwasher.

---

## Specifications

### PRODUCT PROFILE

---

Domestic warranty details (yrs)	2
Type of Rangehood	wall mounted canopy
Nominal width (cm)	900
Finish of Rangehood	glass,stainless steel

### DIMENSIONS

---

Total product height (mm)	55
Total product width (mm)	900
Total product depth (mm)	500

### MOTOR/FAN

---

Number of fans	1
Number of fans speeds	3
Variable speed control	Yes
Auto off	Yes
Type of motor	centrifugal
Auto fan timer	Yes
Maximum airflow M3/Hr	630
Noise level dB high	62
Noise level dB low	55

### CONTROLS

---

Control panel	touch on glass controls
Safety/ display indicators	auto thermal cutout safety switch,clean filter indicator
LED speed display	Yes

## DIMENSIONS

---

Diameter of ducting (mm)	150
--------------------------	-----

---

Minimum installation height from cooking surface Gas (mm)	650
---	-----

---

Minimum installation height from cooking surface Electric (mm)	650
--	-----

---

Maximum canopy chimney height (mm)	1145
------------------------------------	------

---

Flue cover depth (mm)	290
-----------------------	-----

---

Flue cover width (mm)	320
-----------------------	-----

---

## FILTERS

---

Number of filters	3
-------------------	---

---

Type of filter	multilayer aluminum micromesh filters
----------------	---------------------------------------

---

Dishwasher safe	Yes
-----------------	-----

---

## DUCTING / RECIRCULATION

---

Ducting	yes
---------	-----

---

## LIGHTS

---

Number of lights	2
------------------	---

---

Wattage of light	40
------------------	----

---

Type of light	halogen
---------------	---------

---

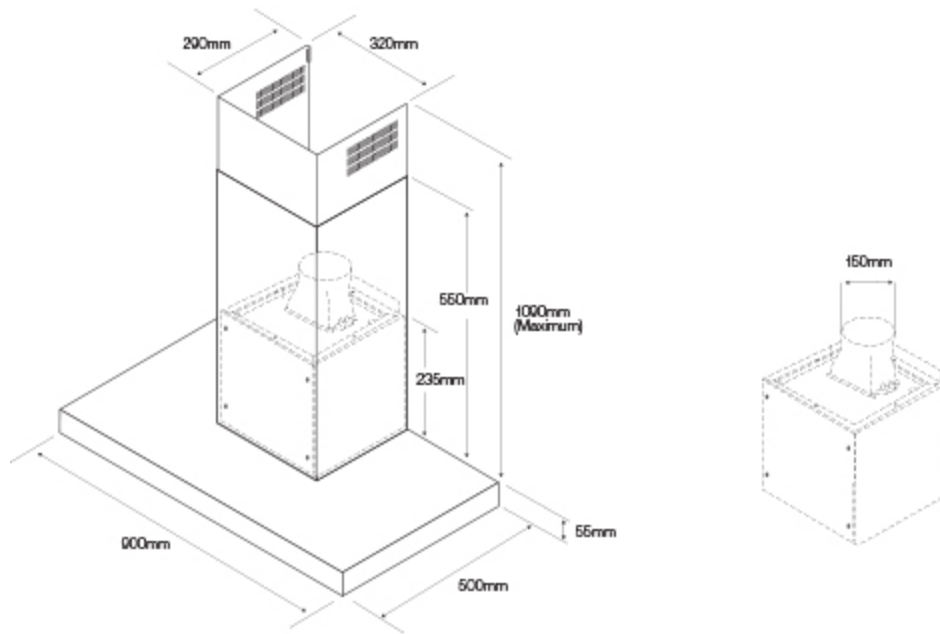
**DUCTING / RECIRCULATION**

---

Top or rear duct hole	top
Recirculation option	Yes
Recirculation kit	optional accessory
Optional extension flue	Yes
Model number of extension flue	AR610FS
Length of extension flue	1200
Ducting accessory available	Yes
Type of filter	Carbon
Filter	AR610CF
Number of optional filters required	two

---

## Dimensions



## Terms and Conditions

### IMPORTANT

This is a guide of product dimensions only. For complete installation instructions, refer to the manual provided with product.

### PRODUCT INFORMATION

The descriptors and illustrations in this publication apply to the specific products and models described as at the date of issue. Under our policy of continuous product development, product specifications may change without notice. Prospective purchasers should therefore check with their retailer to ensure this publication correctly describes the products that are being offered for sale. All information supplied is to be used for general reference purposes only and is on the understanding that Electrolux Home Products Pty Ltd (Australia) and Electrolux (NZ) Ltd (New Zealand) will not be liable for any loss, liability or damage of whatever kind arising as a result of reliance on such information. Colours of products illustrated are as close as printing limitations allow. Electrolux will at all times comply with its obligations pursuant to law including Trade Practices (Australian Consumer Law) Act and Regulations.

### WARRANTY

This warranty only applies to Appliances purchased and used in Australia or New Zealand and used in normal domestic applications and is in addition to (and does not exclude, restrict, or modify in any way) any non-excludable statutory warranties in Australia or New Zealand. All warranties are subject to the conditions set out in the warranty card accompanying the product when purchased.

#### ELECTROLUX HOME PRODUCTS AUSTRALIA

telephone: 1300 363 640

fax: 1800 350 067

email: [customercare@electrolux.com.au](mailto:customercare@electrolux.com.au)

web: [www.electrolux.com.au](http://www.electrolux.com.au)

#### ELECTROLUX HOME PRODUCTS NEW ZEALAND

telephone: 09 573 2230

fax: 09 573 2221

email: [customercare@electrolux.co.nz](mailto:customercare@electrolux.co.nz)

web: [www.electrolux.co.nz](http://www.electrolux.co.nz)