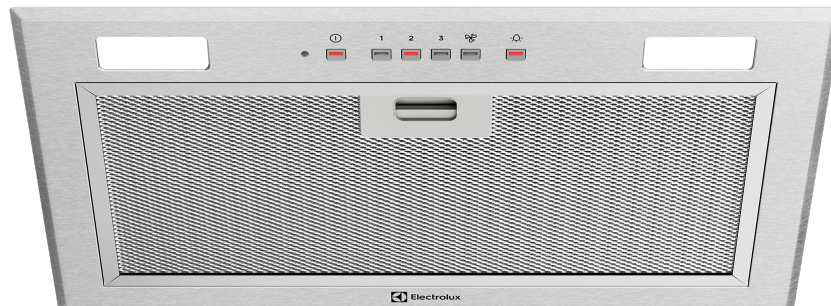


52cm integrated rangehood with Hob2Hood, 720m³/hr extraction rate, 3 fan speed plus PowerBoost, and dishwasher safe filters. COMMERCIAL EXCLUSIVE



Product Details

FEATURES

Max airflow of 720m3/h

Hob2Hood

Delay off

PowerBoost

4 speed fan

LED lighting

Filter indicator

Dishwasher safe filters

Auto thermal cut-out safety switch

BENEFITS

3 YEAR WARRANTY

Because peace of mind should last as long as great design, this product has three years of trusted Electrolux support.

*Available for purchases after 1 March 2026.

The hands-free hood

When paired with a compatible Electrolux cooking hob, Hob2Hood automatically switches it on as you start cooking and adjusts the fan speed based on how you are using your hob. This means you can boil, sear or stir-fry without having to touch your hood with greasy fingers.

EXTREME EXTRACTION WHEN YOU NEED IT

When your kitchen fills with smoke or strong aromas, PowerBoost kicks into high gear for maximum extraction power instantly, clearing the air fast so you can keep cooking without the haze or lingering smells.

FRESH AIR EVEN AFTER YOU'RE DONE

Our delayed shut off keeps your hood running for a few extra minutes after cooking, clearing away lingering steam and odours. So your kitchen stays fresh and clean, without you lifting a finger.

Specifications

PRODUCT PROFILE

Domestic warranty details (yrs) 3

Type of Rangehood integrated under cupboard

Nominal width (cm) 52

Finish of Rangehood stainless steel

DIMENSIONS

Total product height (mm) 249

Total product width (mm) 526

Total product depth (mm) 292

MOTOR/FAN

Number of fans 1

Number of fans speeds 3

Type of motor tangential

Perimeter extraction No

Maximum airflow M3/Hr 720

Noise level dB high 69

Noise level dB low 53

Number of motors 1

Wattage of motor 305

POWER

Electricity supply required (Kw) 0.305

DIMENSIONS

Diameter of ducting (mm) 150

Minimum installation height
from cooking surface Gas
(mm) 620

Minimum installation height
from cooking surface
Electric (mm) 600

Cut out width (mm) 493

Cut out depth (mm) 262

CONTROLS

Control panel electronic push button

Safety/ display indicators clean filter indicator, auto
thermal cutout safety
switch

LED speed display Yes

Hob2Hood function Yes

LIGHTS

Number of lights 2

FILTERS

Number of filters 1

Type of filter multilayer aluminum
micromesh filters

Dishwasher safe Yes

DUCTING / RECIRCULATION

Ducting optional accessory

LIGHTS

Wattage of light	3.5
------------------	-----

Type of light	LED
---------------	-----

DUCTING / RECIRCULATION

Top or rear duct hole	top
-----------------------	-----

Recirculation option	Yes
----------------------	-----

Recirculation kit	optional accessory
-------------------	--------------------

Front recirculating option	No
----------------------------	----

Type of filter	Carbon
----------------	--------

Filter	Optional
--------	----------

Number of optional filters required	two
-------------------------------------	-----

Ducting diameter (mm)	150
-----------------------	-----

SHIPPING

Shipping Volume (m3)	0.1
----------------------	-----

Shipping Weight (Kg)	10
----------------------	----

Product Weight (Kg)	8
---------------------	---

Pack Dimensions Height (mm)	430
-----------------------------	-----

Pack Dimension Width (mm)	605
---------------------------	-----

STUFFING QUANTITIES

20ft	282
------	-----

40ft	585
------	-----

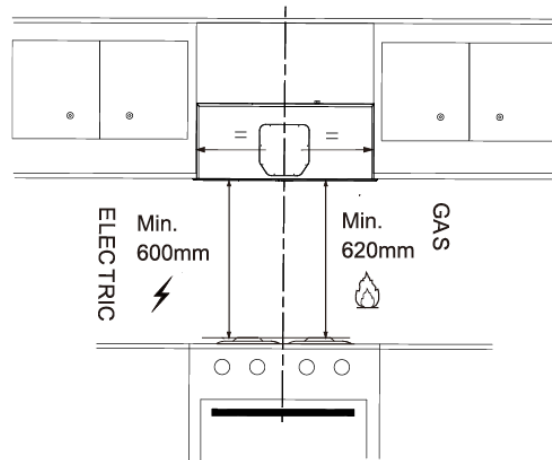
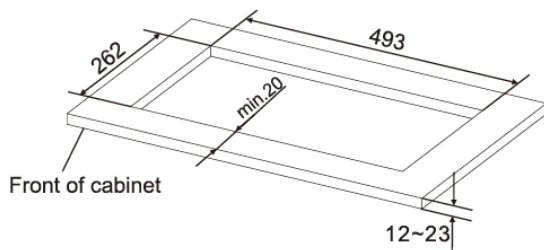
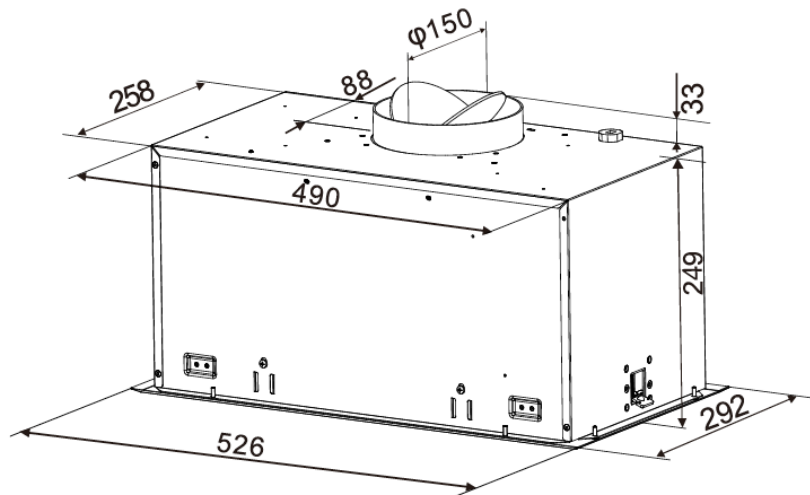
40ft HC	702
---------	-----

SHIPPING

Pack Dimension Depth (mm)	365
------------------------------	-----

Dimensions

Model:
ERI512SE



Terms and Conditions

IMPORTANT

This is a guide of product dimensions only. For complete installation instructions, refer to the manual provided with product.

PRODUCT INFORMATION

The descriptors and illustrations in this publication apply to the specific products and models described as at the date of issue. Under our policy of continuous product development, product specifications may change without notice. Prospective purchasers should therefore check with their retailer to ensure this publication correctly describes the products that are being offered for sale. All information supplied is to be used for general reference purposes only and is on the understanding that Electrolux Home Products Pty Ltd (Australia) and Electrolux (NZ) Ltd (New Zealand) will not be liable for any loss, liability or damage of whatever kind arising as a result of reliance on such information. Colours of products illustrated are as close as printing limitations allow. Electrolux will at all times comply with its obligations pursuant to law including Trade Practices (Australian Consumer Law) Act and Regulations.

WARRANTY

This warranty only applies to Appliances purchased and used in Australia or New Zealand and used in normal domestic applications and is in addition to (and does not exclude, restrict, or modify in any way) any non-excludable statutory warranties in Australia or New Zealand. All warranties are subject to the conditions set out in the warranty card accompanying the product when purchased.

ELECTROLUX HOME PRODUCTS AUSTRALIA

telephone: 1300 363 640

fax: 1800 350 067

email: customercare@electrolux.com.au

web: www.electrolux.com.au

ELECTROLUX HOME PRODUCTS NEW ZEALAND

telephone: 09 573 2230

fax: 09 573 2221

email: customercare@electrolux.co.nz

web: www.electrolux.co.nz