

**52cm integrated rangehood in dark stainless steel with inverter motor, Hob2Hood, and maximum airflow of 790 m<sup>3</sup>/hr.**



## Product Details

### FEATURES

---

Inverter motor	790m3/hr powerful extraction	Hob2Hood technology	3 fan speeds plus PowerBoost
Delay off	Clean Filter indicator	LED lighting	Dishwasher safe filters

---

### BENEFITS

---

#### THE QUIET ACHIEVER

Electrolux hoods with inverter technology remove cooking odours from your kitchen air at noise levels as low as 42 dBA\*, so you can focus on cooking delicious dishes in a cleaner and quieter environment. Inverter motors are also more durable and energy efficient than traditional motors.\*Based on internal test TR000071828/A

#### LET'S CLEAR THE AIR

Whether you're frying, searing or steaming, efficiently remove cooking vapours and odours from your kitchen in minutes. The powerful motor with high extraction airflow rate of 790m/hr\* clears the air quickly and quietly.\*Based on internal test TR000071828/A

#### The hands-free hood

When paired with a compatible Electrolux cooking hob, Hob2Hood automatically switches it on as you start cooking and adjusts the fan speed based on how you are using your hob. This means you can boil, sear or stir-fry without having to touch your hood with greasy fingers.

#### Extra extraction

When intensely fragranced foods such as onions and garlic hit smoking oil in the wok or pan, it's time to use PowerBoost. Simply increase the airflow for a minute to prevent strong odours from lingering.

#### Clear the kitchen air

When you are done cooking and activate the switch off the hood option, the hood will initiate the delay-off function, keeping the hood on for a little longer. With the built-in timer, the hood will continue to eliminate odours and ensure that your kitchen remains smelling fresh after you have finished cooking. So while you are eating, the hood will turn off automatically after 5 minutes.

#### LIGHT UP YOUR COOKING

Bright LED lighting allows you to clearly see what's cooking, helping you to adapt quickly to what's happening to the tastes and textures on your cooktop. It's also more energy efficient and environmentally friendly than traditional lighting.

## Specifications

### PRODUCT PROFILE

---

Domestic warranty details (yrs) 2

---

Type of Rangehood integrated

---

Nominal width (cm) 52

---

Finish of Rangehood Dark stainless steel

---

### MOTOR/FAN

---

Number of fans 1

---

Number of fans speeds 4

---

Auto off Yes

---

Type of motor DC Inverter motor

---

Perimeter extraction No

---

Maximum airflow M3/Hr 790

---

Noise level dB high 54

---

Noise level dB low 42

---

Wattage of motor 200

---

### DIMENSIONS

---

Total product height (mm) 329

---

Total product width (mm) 526

---

Total product depth (mm) 292

---

### POWER

---

Electricity supply required (Kw) 0.207

---

## DIMENSIONS

---

Diameter of ducting (mm) 150

---

Minimum installation height  
from cooking surface Gas  
(mm) 620

---

Minimum installation height  
from cooking surface  
Electric (mm) 600

---

Product Weight (Kg) 9

---

Cut out width (mm) 493

---

Cut out depth (mm) 262

---

## CONTROLS

---

Control panel electronic push button

---

Safety/ display  
indicators clean filter indicator,automatic  
safety cut off

---

LED speed display Yes

---

Hob2Hood function Yes

---

## LIGHTS

---

Number of lights 2

---

## FILTERS

---

Number of filters 1

---

Type of filter multilayer aluminum  
micromesh filters

---

Dishwasher safe Yes

---

## DUCTING / RECIRCULATION

---

Ducting optional accessory

---

**LIGHTS**

---

Wattage of light	3.5
Type of light	LED

**DUCTING / RECIRCULATION**

---

Top or rear duct hole	top
Recirculation option	Yes
Recirculation kit	optional accessory
Front recirculating option	No
Type of filter	Carbon
Filter	Optional
Number of optional filters required	two
Ducting diameter (mm)	150

**SHIPPING**

---

Shipping Volume (m3)	0.111
Shipping Weight (Kg)	11.3
Product Weight (Kg)	8.3
Pack Dimensions Height (mm)	471
Pack Dimension Width (mm)	621

**STUFFING QUANTITIES**

---

20ft	224
40ft	456
40ft HC	570

**SHIPPING**

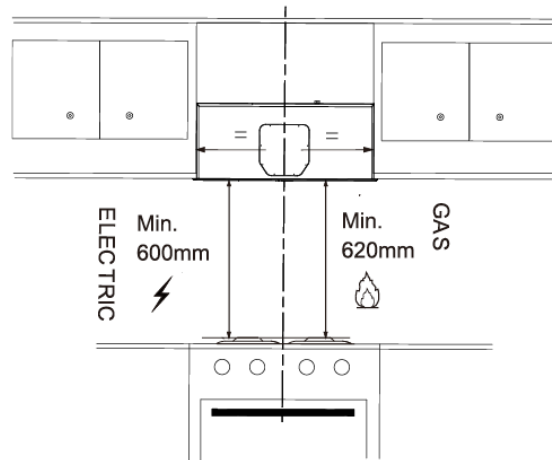
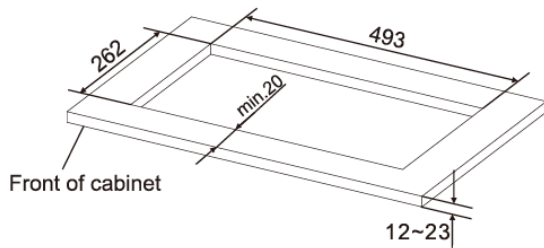
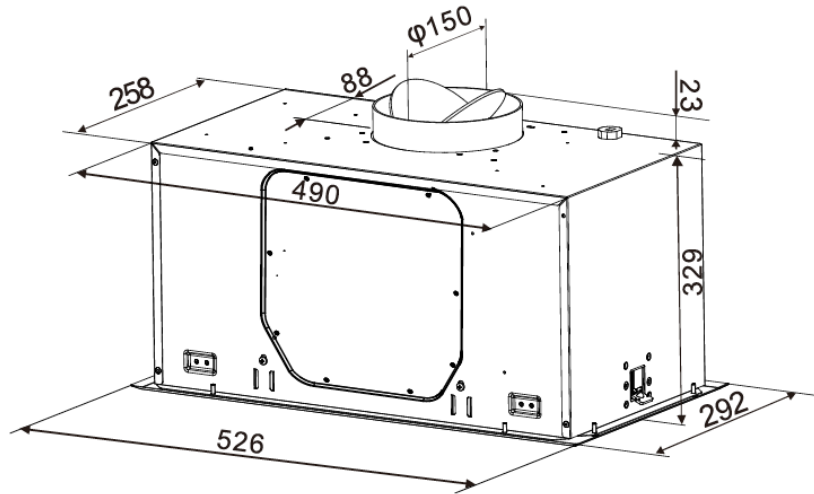
---

Pack Dimension Depth (mm)	378
------------------------------	-----

---

# Dimensions

Model:  
ERI655DSE



## Terms and Conditions

### IMPORTANT

This is a guide of product dimensions only. For complete installation instructions, refer to the manual provided with product.

### PRODUCT INFORMATION

The descriptors and illustrations in this publication apply to the specific products and models described as at the date of issue. Under our policy of continuous product development, product specifications may change without notice. Prospective purchasers should therefore check with their retailer to ensure this publication correctly describes the products that are being offered for sale. All information supplied is to be used for general reference purposes only and is on the understanding that Electrolux Home Products Pty Ltd (Australia) and Electrolux (NZ) Ltd (New Zealand) will not be liable for any loss, liability or damage of whatever kind arising as a result of reliance on such information. Colours of products illustrated are as close as printing limitations allow. Electrolux will at all times comply with its obligations pursuant to law including Trade Practices (Australian Consumer Law) Act and Regulations.

### WARRANTY

This warranty only applies to Appliances purchased and used in Australia or New Zealand and used in normal domestic applications and is in addition to (and does not exclude, restrict, or modify in any way) any non-excludable statutory warranties in Australia or New Zealand. All warranties are subject to the conditions set out in the warranty card accompanying the product when purchased.

#### ELECTROLUX HOME PRODUCTS AUSTRALIA

telephone: 1300 363 640

fax: 1800 350 067

email: [customercare@electrolux.com.au](mailto:customercare@electrolux.com.au)

web: [www.electrolux.com.au](http://www.electrolux.com.au)

#### ELECTROLUX HOME PRODUCTS NEW ZEALAND

telephone: 09 573 2230

fax: 09 573 2221

email: [customercare@electrolux.co.nz](mailto:customercare@electrolux.co.nz)

web: [www.electrolux.co.nz](http://www.electrolux.co.nz)