

60cm built under dishwasher with ComfortLift, MaxiFlex cutlery drawer, AirDry technology, beam on floor cycle indicator and 14 place settings.



Product Details

FEATURES

ComfortLift

ComfortLift makes it easy to load and unload.

MaxiFlex

MaxiFlex drawer space can be adapted to the load.

SatelliteClean

SatelliteClean reaches all items with water jets.

ExtraHygiene

The ExtraHygiene function gives you maximum cleaning performance with hygienic care.

Beam on Floor

Beam-on-Floor shows you when its time to unload.

AirDry

Allows natural airflow in towards the end of the cycle ensuring dry dishes

Eco program

Eco program is water and energy efficient.

BENEFITS

RAISING THE STANDARD

ComfortLift is the first of its kind, making it easier than ever to load and unload your dishes. The unique hinge mechanism allows you to gently lift the lower rack, meaning you no longer need to bend down low to load and unload heavy plates, platters, pots, and pans.

MAKE ROOM FOR MORE

The MaxiFlex drawer accommodates everything from spoons to spatulas. From multiple cutlery sets to over-sized utensils, the flexible dividers mean you can customise the drawer according to the load. Flatware is kept separate from larger items and the added depth increases the capacity for each cycle.

THE GLASS-CARE SPECIALIST

SoftGrips and SoftSpikes gently support your delicate glasses, safeguarding them from damage, while the dedicated glassware program means you no longer have to hand wash. SoftGrips gently secure each individual glass stem, while the rubber SoftSpikes cushion glassware from vibration during the wash cycle so they do not move around.

MAX COVERAGE. MAX CLEAN

SatelliteClean shoots multiple jets of water into every corner of the dishwasher to ensure every item is thoroughly cleaned. The double rotation movement continuously changes the angle of the water jets to ensure maximum coverage, delivering outstanding cleaning results.

CLEAN WITH EXTRA HYGIENE

The ExtraHygiene function gives you maximum cleaning performance with hygienic care. With the ExtraHygiene function, the final rinse phase heats up to above 60C and keeps the temperature high for a minimum of 10 minutes to sanitize your dishes.

STATUS CHECK FROM A DISTANCE

Beam-on-Floor projects the status of your wash program so that you can easily see when its time to unload. A red spot on the floor means that the program is still running, while a green spot means that it is completed.

UP TO 3X BETTER DRYING*

AirDry technology finishes each cycle with a breath of fresh air, performing three-times better than closed-door systems. The door automatically opens 10 cms towards the end of the drying phase, without you lifting a finger. This allows air to circulate inside, leaving plates and cutlery completely dry and spotless at the end of the cycle, whilst also saving energy.* Compared with our closed system.

SWITCH TO ECO

Suitable for cleaning normally soiled tableware, the Eco Program is this dishwashers most efficient program for water and energy consumption.

Specifications

PRODUCT PROFILE

Domestic warranty details (yrs)	2
Type of Dishwashers	built under
Place settings	14
Drying system	AirDry
Number of spray arms	3
Top shower	Yes

DIMENSIONS

Total height (mm)	818
-------------------	-----

SPECIFICATION

Water Efficiency Star Rating	5
WELS Registration Number	D02716
Water consumption (litres)	11.2
Energy Efficiency Star Rating	3.5
Energy consumption cold water (kWhr/yr)	273
Noise level dBA	44
Water supply	cold or hot (maximum 60°C)
Basket colour	grey
Service cord length	1600
Inverter system	Yes

WASH PROGRAMS

Number of Programs	8
--------------------	---

DIMENSIONS

Total width (mm)	596
------------------	-----

Total depth (mm)	570
------------------	-----

CONTROL PANEL

Control panel type	Touch Control electronic
--------------------	--------------------------

Top mounted control panel	Yes
---------------------------	-----

Control panel finish	stainless steel
----------------------	-----------------

Display indicators	delay start,Beam On Floor Two Coloured,rinse aid,service code,program selected,ExtraHygiene,ExtraPower
--------------------	--

EXTERIOR

Door finish	dark stainless steel
-------------	----------------------

Side colour	grey
-------------	------

WASH PROGRAMS

Programs	Quick 30 min,Regular 90 min,AUTO Sense,Machine Care,rinse and hold,Light 60 min,Heavy 160 min,ECO 180 min
----------	---

Wash option	Delay start (1-24 hours),ExtraHygiene,GlassCare,ExtraPower
-------------	--

Range of temperatures	4
-----------------------	---

FEATURES

Other Features	beam on floor indicator,Auto Off,delay start
----------------	--

Water safety system	aqua control
---------------------	--------------

Dispenser	detergent,rinse aid
-----------	---------------------

Number of spray levels	3
------------------------	---

UPPER BASKET

Upper basket features	soft spikes for tall glass,SoftGrip,Foldable glass rack,easy lift adjustable upper basket
-----------------------	---

EXTERIOR

Plinth colour (kickboard)	no plinth supplied
---------------------------	--------------------

Removable worktop	No
-------------------	----

LOWER BASKET

Lower Basket Features	ComfortLift
-----------------------	-------------

Foldable Racks	4
----------------	---

Foldable cup shelves	0
----------------------	---

SHIPPING

Shipping Volume (m3)	0.376
----------------------	-------

Shipping Weight (Kg)	47.7
----------------------	------

Pack Dimensions Height (mm)	870
-----------------------------	-----

Pack Dimension Width (mm)	635
---------------------------	-----

Pack Dimension Depth (mm)	680
---------------------------	-----

UPPER BASKET

Foldable cup shelves	4
----------------------	---

Foldable Racks	2
----------------	---

HOSES

Inlet hose length	1600
-------------------	------

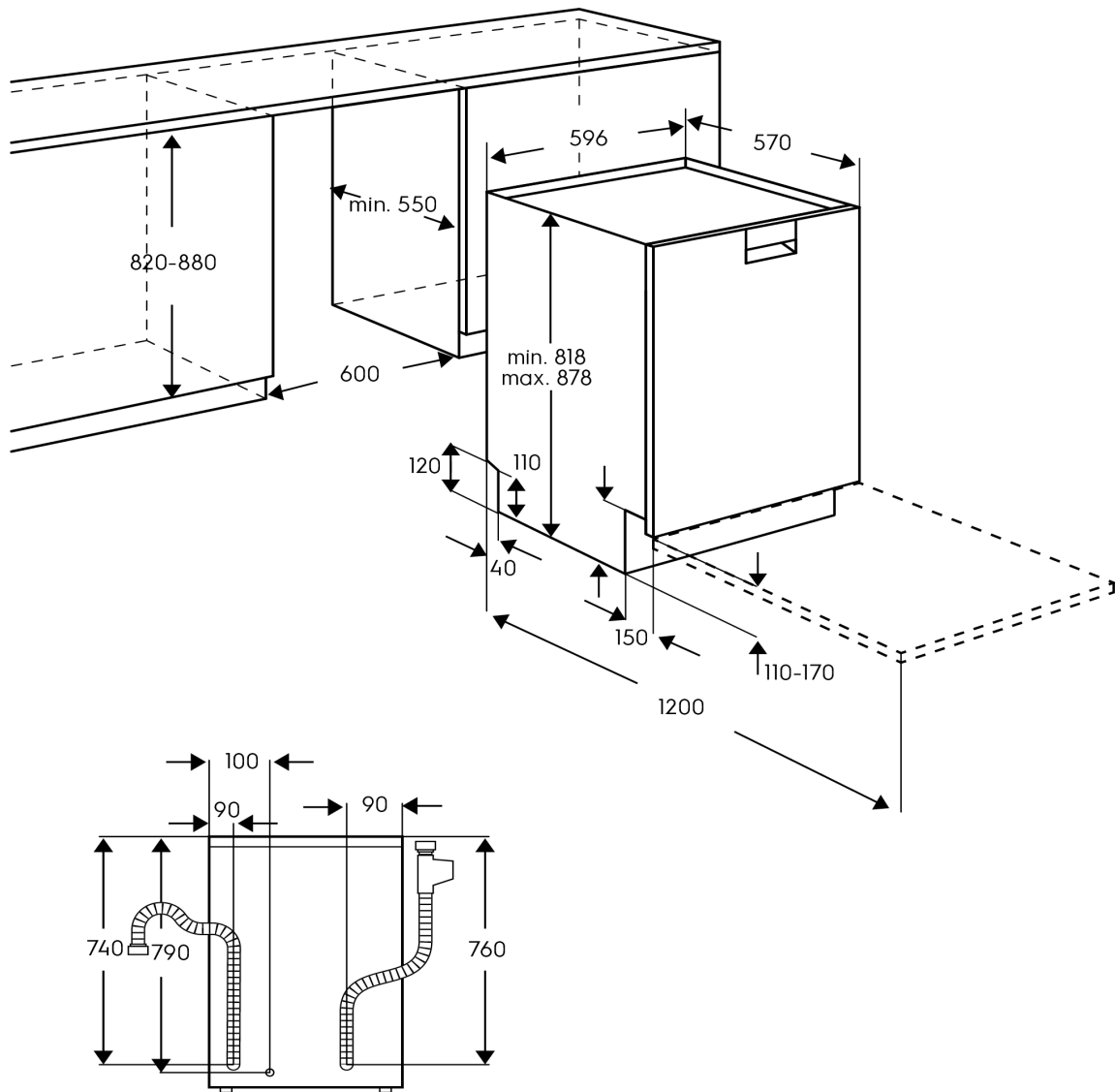
extension hose	spare part
----------------	------------

STUFFING QUANTITIES

40ft HC	150
---------	-----

Dimensions

Model:
ESF97400RKX



© 2022 Electrolux S.E.A PTE. LTD. E_Dim_ESF97400RKX_Apr22

Terms and Conditions

IMPORTANT

This is a guide of product dimensions only. For complete installation instructions, refer to the manual provided with product.

PRODUCT INFORMATION

The descriptors and illustrations in this publication apply to the specific products and models described as at the date of issue. Under our policy of continuous product development, product specifications may change without notice. Prospective purchasers should therefore check with their retailer to ensure this publication correctly describes the products that are being offered for sale. All information supplied is to be used for general reference purposes only and is on the understanding that Electrolux Home Products Pty Ltd (Australia) and Electrolux (NZ) Ltd (New Zealand) will not be liable for any loss, liability or damage of whatever kind arising as a result of reliance on such information. Colours of products illustrated are as close as printing limitations allow. Electrolux will at all times comply with its obligations pursuant to law including Trade Practices (Australian Consumer Law) Act and Regulations.

WARRANTY

This warranty only applies to Appliances purchased and used in Australia or New Zealand and used in normal domestic applications and is in addition to (and does not exclude, restrict, or modify in any way) any non-excludable statutory warranties in Australia or New Zealand. All warranties are subject to the conditions set out in the warranty card accompanying the product when purchased.

ELECTROLUX HOME PRODUCTS AUSTRALIA

telephone: 1300 363 640

fax: 1800 350 067

email: customercare@electrolux.com.au

web: www.electrolux.com.au

ELECTROLUX HOME PRODUCTS NEW ZEALAND

telephone: 09 573 2230

fax: 09 573 2221

email: customercare@electrolux.co.nz

web: www.electrolux.co.nz