

60cm 500 series fully-integrated dishwasher, beam on floor indicator, 15 place settings.



Product Details

FEATURES

MaxiFlex MaxiFlex drawer space can be adapted to the load.	SatelliteClean SatelliteClean reaches all items with water jets.	ExtraPower ExtraPower option improves wash performance.	Delay start 24H Delay start of the program to suit your schedule.
PerfectFit sliding hinges PerfectFit hinges adapt to any door and plinth*	AirDry Allows natural airflow in towards the end of the cycle ensuring dry dishes	Beam on Floor Beam-on-Floor shows you when its time to unload.	Eco program Eco program is water and energy efficient.

BENEFITS

MAKE ROOM FOR MORE

The MaxiFlex drawer accommodates everything from spoons to spatulas. From multiple cutlery sets to over-sized utensils, the flexible dividers mean you can customise the drawer according to the load. Flatware is kept separate from larger items and the added depth increases the capacity for each cycle.

MAX COVERAGE. MAX CLEAN

SatelliteClean shoots multiple jets of water into every corner of the dishwasher to ensure every item is thoroughly cleaned. The double rotation movement continuously changes the angle of the water jets to ensure maximum coverage, delivering outstanding cleaning results.

IMPROVE WASHING RESULTS

The ExtraPower option improves the cleaning results of selected wash programs by adding a boost in temperature to remove stubborn stains from your kitchenware.

CLEAN DISHES ON YOUR SCHEDULE

The 24-hour delay start function lets you load your dishwasher and program it to start at the time that suits your schedule.

A PERFECTFIT FOR ANY KITCHEN

Double rotation PerfectFit hinges allow you to install the dishwasher with any door length, without needing to cut your kitchen plinth*. The special movement of the double fulcrum hinges makes it possible to open the dishwasher door with ease.

UP TO 3X BETTER DRYING*

AirDry technology finishes each cycle with a breath of fresh air, performing three-times better than closed-door systems. The door automatically opens 10 cms towards the end of the drying phase, without you lifting a finger. This allows air to circulate inside, leaving plates and cutlery completely dry and spotless at the end of the cycle, whilst also saving energy.* Compared with our closed system.

STATUS CHECK FROM A DISTANCE

Beam-on-Floor projects the status of your wash program so that you can easily see when its time to unload. A red spot on the floor means that the program is still running, while a green spot means that it is completed.

SWITCH TO ECO

Suitable for cleaning normally soiled tableware, the Eco Program is this dishwashers most efficient program for water and energy consumption.

Specifications

PRODUCT PROFILE

Domestic warranty details (yrs)	2
Type of Dishwashers	fully integrated
Place settings	15
Drying system	AirDry
Number of spray arms	3
Top shower	Yes

DIMENSIONS

Total height (mm)	818
-------------------	-----

SPECIFICATION

Water Efficiency Star Rating	5
WELS Registration Number	D02706
Water consumption (litres)	11.9
Energy Efficiency Star Rating	3.5
Energy consumption cold water (kWhr/yr)	295
Noise level dBA	46
Water supply	cold or hot (maximum 60°C)
Basket colour	grey
Service cord length	1800
Inverter system	Yes

BUILT-IN DIMENSIONS

Door panel minimum weight (kg)	2
--------------------------------	---

DIMENSIONS

Total width (mm)	597
Total depth (mm)	570

BUILT-IN DIMENSIONS

Door panel maximum weight (kg)	10
Door panel minimum height (mm)	645
Door panel maximum height (mm)	776
Plinth height minimum (mm)	100
Plinth height maximum (mm)	235

WASH PROGRAMS

Number of Programs	8
Programs	Quick 30 min,Regular 90 min,AUTO Sense,Machine Care,Light 60 min,Heavy 160 min,ECO 180 min,rinse and hold
Wash option	GlassCare,Delay start (1-24 hours),ExtraPower

CONTROL PANEL

Control panel type	Touch Control electronic
Top mounted control panel	Yes
Control panel finish	black
Display indicators	Beam On Floor Two Coloured,service code,program selected,delay start,rinse aid,ExtraPower,My Time

FEATURES**EXTERIOR**

FEATURES

Other Features	beam on floor indicator,delay start,MaxiFlex cutlery drawer
----------------	---

Water safety system	aqua control
---------------------	--------------

Dispenser	detergent,rinse aid
-----------	---------------------

UPPER BASKET

Upper basket features	adjustable top basket
-----------------------	-----------------------

Foldable cup shelves	2
----------------------	---

Foldable Racks	0
----------------	---

HOSES

Inlet hose length	1500
-------------------	------

Drain hose length	1500
-------------------	------

extension hose	spare part
----------------	------------

EXTERIOR

Door finish	your cabinetry
-------------	----------------

Side colour	grey
-------------	------

Plinth colour (kickboard)	no plinth supplied
---------------------------	--------------------

Removable worktop	No
-------------------	----

LOWER BASKET

Foldable Racks	4
----------------	---

Foldable cup shelves	0
----------------------	---

SHIPPING

Shipping Volume (m3)	0.373
----------------------	-------

Shipping Weight (Kg)	38.6
----------------------	------

Pack Dimensions Height (mm)	864
-----------------------------	-----

Pack Dimension Width (mm)	635
---------------------------	-----

SHIPPING

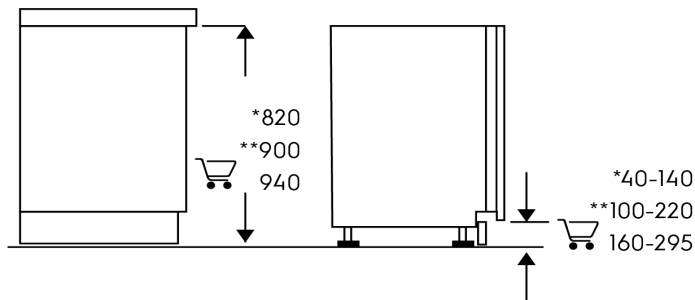
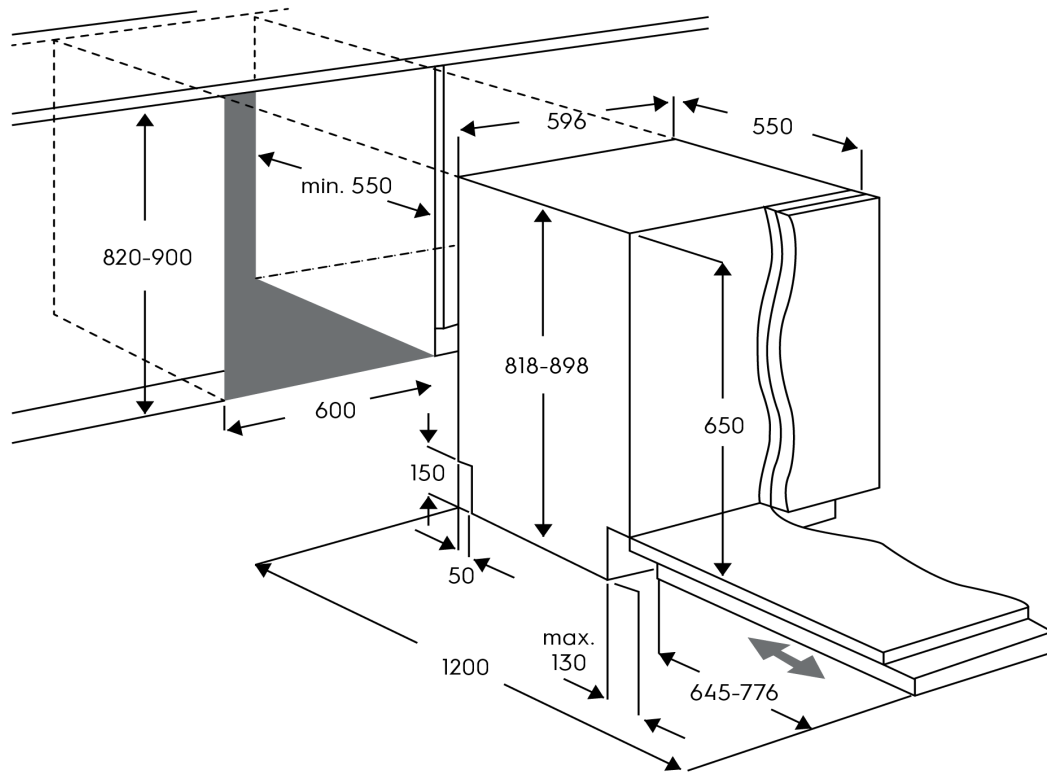
Pack Dimension Depth (mm)	680
------------------------------	-----

STUFFING QUANTITIES

40ft HC	150
---------	-----

Dimensions

Model:
ESL51600ZO



© 2022 Electrolux S.E.A PTE. LTD. E_Dim_ESL51600ZO_Apr22

Terms and Conditions

IMPORTANT

This is a guide of product dimensions only. For complete installation instructions, refer to the manual provided with product.

PRODUCT INFORMATION

The descriptors and illustrations in this publication apply to the specific products and models described as at the date of issue. Under our policy of continuous product development, product specifications may change without notice. Prospective purchasers should therefore check with their retailer to ensure this publication correctly describes the products that are being offered for sale. All information supplied is to be used for general reference purposes only and is on the understanding that Electrolux Home Products Pty Ltd (Australia) and Electrolux (NZ) Ltd (New Zealand) will not be liable for any loss, liability or damage of whatever kind arising as a result of reliance on such information. Colours of products illustrated are as close as printing limitations allow. Electrolux will at all times comply with its obligations pursuant to law including Trade Practices (Australian Consumer Law) Act and Regulations.

WARRANTY

This warranty only applies to Appliances purchased and used in Australia or New Zealand and used in normal domestic applications and is in addition to (and does not exclude, restrict, or modify in any way) any non-excludable statutory warranties in Australia or New Zealand. All warranties are subject to the conditions set out in the warranty card accompanying the product when purchased.

ELECTROLUX HOME PRODUCTS AUSTRALIA

telephone: 1300 363 640

fax: 1800 350 067

email: customercare@electrolux.com.au

web: www.electrolux.com.au

ELECTROLUX HOME PRODUCTS NEW ZEALAND

telephone: 09 573 2230

fax: 09 573 2221

email: customercare@electrolux.co.nz

web: www.electrolux.co.nz