

A 536L frost free top mount refrigerator with best in class energy efficiency, FreshZone™ double insulated crispers & a mark resistant stainless steel finish.



Product Details

FEATURES

FreshPlus Cooling

Keep your ingredients at their fresh flavourful best. When the fridge door is open, the innovative FreshPlus technology immediately begins the recooling process to replace the lost cold air faster when the door closes. This ensures better preservation of farm fresh food and helps minimise waste.

FlexStor

After a large grocery shop, use the Boost function when adding food to your fridge, so that the temperature decreases for 90 minutes before returning to the pre-set mode.

FreshZone™ Double Insulated Crispers

Designed to maximise food preservation for fresher, better tasting food, the double insulated crispers increase temperature stability and humidity levels in the crisper.

Energy efficiency

Enjoy a big performance without a big bill. Our refrigerators are designed to be energy efficient protecting the environment and reducing your power costs.

Holiday mode

Going away? Set the fridge to Holiday Mode to help minimise defrosting and save energy.

Boost mode

After a large grocery shop, use the Boost function when adding food to your fridge, so that the temperature decreases for 90 minutes before returning to the pre-set mode.

Fast Ice function

When adding a large amount of food to the freezer, simply use the Fast Ice function, which decreases the temperature to -23C for 90 minutes before returning to the pre-set mode.

Fridge & freezer door alarm

An alarm sounds if the door is left open to help keep the interior cool and reduce the risk of spoilage.

Multi-flow air delivery

The intelligent airflow system evenly disperses air to ensure optimum temperatures so your food is kept fresher for longer.

Multi-function electronic touch controls

Ideally located on the inside of the cabinet, you can set the temperature and use functions such as boost mode, fast ice, holiday mode and drinks chill with just a touch of a button.

Frost free

Save your precious time with a freezer that doesn't ice up and need manual defrosting.

R600a refrigerant

Our fridges use R600a, a non-synthetic refrigerant that's more environmentally friendly than the commonly used R134a.

FreshSense deodoriser
The in-built Fresh Sense deodoriser freshens the air and absorbs strong odours like seafood and cheese, to keep your fridge smelling clean and fresh.

Wine Caddy
Stylish, functional and space efficient, the steel bottle caddy can easily and safely store up to six large bottles.

LED Lighting
With our new LED lighting at both the top and sides of the fridge, the light-filled interior illuminates the content of your fridge so you can find anything you need quickly and easily.

Twist ice and serve
With a compact design and two removable ice trays, entertaining is a breeze when you always have ice ready for drinks.

MultiZone Deli compartment
Designed to isolate odours and seal in freshness, discover the perfect place to store your artisan cheeses, cured meats and deli items safely away from other ingredients.

Non-slip grips
The easy-clean dishwasher-safe door compartment grips look great and also help protect bottles and jars from moving around.

Crispers on telescopic runners
Enjoy effortless access to all of your food, even items right at the back of the crisper, with easy-slide runners that fully extend.

Capacity
With even more useable interior space, you can store and organise your food with ease.

Mark resistant, high quality stainless steel
The invisible, mark-resistant coating is easy to clean and helps protect the fridge exterior from fingerprints and grime.

Over temperature freezer alarm
Protect the contents of your freezer with an alarm that sounds when the freezer temperature gets 10c over the set temperature for a period of 50 minutes (except during a defrost).

Drinks chill
Use the handy drinks chill feature to remind yourself when to take your drinks out of the freezer.

BENEFITS

The leader in energy efficiency
Designed with your needs and the environment in mind, the Electrolux FreshPlus refrigeration range sets new standards for energy efficiency. So not only will you enjoy lower running costs and a smaller environmental footprint, you'll also benefit from an ingenious design and an outstanding performance without compromise.

Maximise food freshness
The fresher the food is, the more delicious the taste. By increasing the stability of temperature and humidity levels in the double insulated crisper, food preservation is maximised. And that means better tasting farm fresh ingredients for all of your favourite dishes.

The FreshPlus™ advantage

Did you know that your fridge door is one of the most opened doors in your home? That's why we created our innovative FreshPlus™ technology. Designed to maintain the perfect temperature and detect when the fridge door opens, it immediately begins re-cooling to replace cold air for fresher, longer lasting, great tasting food.

Superior styling

With sleek styling, generous interior space, high-quality mark-resistant stainless steel, and LED lighting, Electrolux FreshPlus™ refrigerators bring the utmost style to your kitchen.

Specifications

PRODUCT PROFILE

Domestic warranty details (yrs)	2
Additional domestic warranty for the sealed refrigeration system only (yrs)	3
Refrigerator Type	top mount
Exterior door finish	Stainless steel
Handle design	bar handle
Fridge door opening	left and right
Cooling system	frost free
Refrigerant	R600a

DIMENSIONS

Total height (mm)	1725
Cabinet height (mm)	1705
Total width (mm)	796
Cabinet width (mm)	790
Total depth (mm)	773
Cabinet depth (mm)	641
Depth door open 90degree (mm)	1457
Food compartment capacity (gross in litres)	395
Freezer compartment capacity (gross in litres)	141
Total Gross Capacity (L)	536
Food compartment capacity (net in litres)	381
Total Net Capacity (L)	497

ENERGY

Energy Star Rating AS/NZS 4474.2:2009 5

Energy consumption AS/NZS 4474.2:2009 (kWhr/yr) 282

FOOD COMPARTMENT

DELI-COMPARTMENT

Deli-Compartment Runner system telescopic

Full width compartment 1

CRISPERS

Crisper lid/shelf glass

Crispers Runner system telescopic

Full width crisper 1

Crisper features humidity controlled

REFRIGERATOR SYSTEM

Controls electronic (with display)

Controls location internal

Controls type touch

Control functions fast ice function,boost mode

Door alarm fridge and freezer

SHELVING

Shelf material glass

LIGHTING

Main light LED

OTHER PROPERTIES

Other Properties-FOOD COMPARTMENT	Deodoriser, Steel wine caddy
-----------------------------------	------------------------------

DAIRY COMPARTMENT

Half width, with lid	2
----------------------	---

SHELVING

Shelving	glass shelf
----------	-------------

Number of shelves	1
-------------------	---

FREEZER DOOR

INTERNAL

Freezer door bins - full width	1
--------------------------------	---

FOOD COMPARTMENT DOOR

BINS

Shallow bin	1
-------------	---

Non-slip grip mats	Yes
--------------------	-----

FREEZER COMPARTMENT

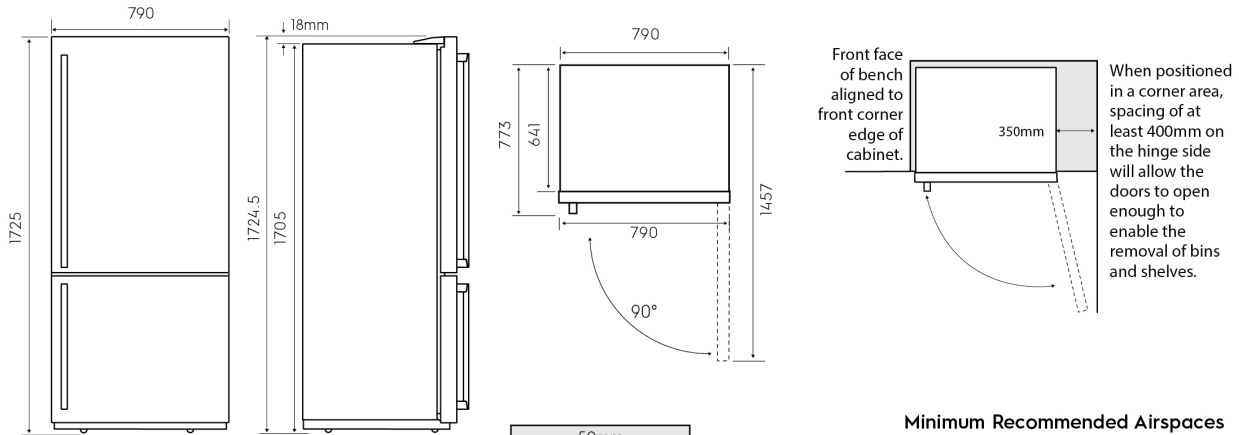
ICE FACILITY

Twist ice and serve	2
---------------------	---

LIGHTING

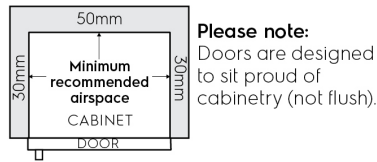
Main light	LED
------------	-----

Dimensions



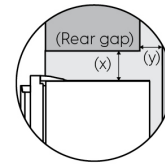
Front face of bench aligned to front corner edge of cabinet.

When positioned in a corner area, spacing of at least 400mm on the hinge side will allow the doors to open enough to enable the removal of bins and shelves.



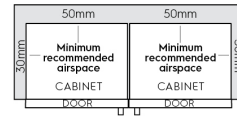
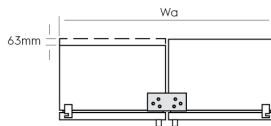
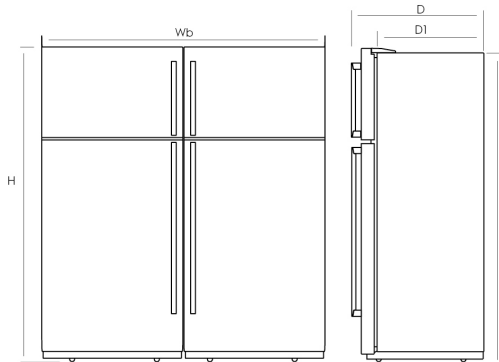
Please note:
Doors are designed to sit proud of cabinetry (not flush).

Minimum Recommended Airspaces



If gap (Y) is not minimum of 100mm, then gap (X) increases from 50 to 90mm min.

Joined dimensions



Please note:
Doors are designed to sit proud of cabinetry (not flush).

Joined cabinet dimensions

individual cabinet widths (W1)		cabinet height (H1)	max door height (H)	joined cabinet width (Wa)	joined door width (Wb)	max total depth (D)	max cabinet depth (D1)
model 1	model 2						
693	693	1705	1725	1407	1419	773	641
693	790	1705	1725	1504	1516	773	641
790	790	1705	1725	1601	1613	773	641

Terms and Conditions

IMPORTANT

This is a guide of product dimensions only. For complete installation instructions, refer to the manual provided with product.

PRODUCT INFORMATION

The descriptors and illustrations in this publication apply to the specific products and models described as at the date of issue. Under our policy of continuous product development, product specifications may change without notice. Prospective purchasers should therefore check with their retailer to ensure this publication correctly describes the products that are being offered for sale. All information supplied is to be used for general reference purposes only and is on the understanding that Electrolux Home Products Pty Ltd (Australia) and Electrolux (NZ) Ltd (New Zealand) will not be liable for any loss, liability or damage of whatever kind arising as a result of reliance on such information. Colours of products illustrated are as close as printing limitations allow. Electrolux will at all times comply with its obligations pursuant to law including Trade Practices (Australian Consumer Law) Act and Regulations.

WARRANTY

This warranty only applies to Appliances purchased and used in Australia or New Zealand and used in normal domestic applications and is in addition to (and does not exclude, restrict, or modify in any way) any non-excludable statutory warranties in Australia or New Zealand. All warranties are subject to the conditions set out in the warranty card accompanying the product when purchased.

ELECTROLUX HOME PRODUCTS AUSTRALIA

telephone: 1300 363 640

fax: 1800 350 067

email: customercare@electrolux.com.au

web: www.electrolux.com.au

ELECTROLUX HOME PRODUCTS NEW ZEALAND

telephone: 09 573 2230

fax: 09 573 2221

email: customercare@electrolux.co.nz

web: www.electrolux.co.nz