

60cm multi-function 8 stainless steel oven with SteamBake, electronic touch controls and 80L gross capacity. COMMERCIAL EXCLUSIVE.



Product Details

FEATURES

SteamBake

Add SteamBake to your repertoire to enjoy fluffy, yet crisp home-baked goodies.

8 oven functions

Easy glide side racks

Electronic touch controls

Removable door

Mark-resistant stainless steel finish

80L gross capacity oven

BENEFITS

NEXT-LEVEL BAKING WITH STEAM

With SteamBake, you can create bakery-style bread in your own home. The added steam allows dough to rise more effectively than conventional heating. The steam helps to create an exquisitely soft centre, while the combination of hot air delivers deliciously glossy crusts.

Fast heat up function

When you need to start cooking immediately, simply use the fast heat-up function. Guaranteed to save you time and hassle.

EASY OVEN DOOR REMOVAL

No more trying to scrub your ovens hard-to-reach places. With one flick of the hinges the door frame can be easily slid out. Once removed, the glass panels can be detached from the frame, making it easy to clean the whole surface of the door.

Huge 80L gross capacity oven

Designed for the entertainer and large families, this large capacity 80-litre oven will make catering for every occasion quick and easy. Plus, energy use is also kept to a minimum, despite its size.

Specifications

PRODUCT PROFILE

| | |
|---------------------------------|---|
| Domestic warranty details (yrs) | 2 |
| Type of Oven | single oven |
| Oven fuel | electric |
| Materials/Colour | mark resistant stainless steel,black |
| Controls of Oven | control knob,3 button touch control LED |
| Cooling fan | Yes |

FLUSH FIT CUT OUT

| | |
|-------------------------------|-----|
| Flush fit cut out height (mm) | 600 |
| Flush fit cut out width (mm) | 600 |
| Flush fit cut out depth (mm) | 581 |

DIMENSIONS

PRODUCT DIMENSION

| | |
|-------------------|-----|
| Total height (mm) | 597 |
| Total width (mm) | 596 |
| Total depth (mm) | 568 |

MAIN OVEN

| | |
|-------------------------|--|
| Gross capacity litres | 80 |
| Useable capacity litres | 72 |
| Oven function | multifunction |
| Number of functions | 8 |
| Oven Functions | rapid heat,fan grill,full grill,pastry,grill,fan bake,bake/pizza,Bake +Steam |

ELECTRICAL CONNECTION

| | |
|-------------------------------|-----------|
| Connected load KW | 3.1 |
| Maximum current rating (amps) | 12.9 |
| Type of connection | hardwired |
| Minimum Fuse rating (amps) | 16 |

MAIN OVEN

| | |
|-----------------|---|
| Oven liner | pyrolux high temperature enamel |
| Timer functions | acoustic signal,duration,minute minder,Countdown,End time,Delayed start,Time of day |

OTHER FEATURES

| | |
|-------------------------|--|
| Door | removable door,removable inner glass panes |
| Timer | Fully programmable touch control timer |
| Lights | 1 |
| Light wattage | 25 |
| Light position | rear |
| Shelf support | Easy glide side racks |
| Number of shelves | 3 |
| Closed door grilling | Yes |
| Included accessories | 2 x chromed wire shelf,baking tray,grill/oven pan,side racks |
| Layers of glass in door | 2 |

OTHER FEATURES

Number of shelf positions 5

SHIPPING

Shipping Volume (m3) 0.28

Shipping Weight (Kg) 43.5

Pack Dimensions Height (mm) 665

Pack Dimension Width (mm) 635

Pack Dimension Depth (mm) 670

Total shelf area (m²) 42.55

STUFFING QUANTITIES

40ft 153

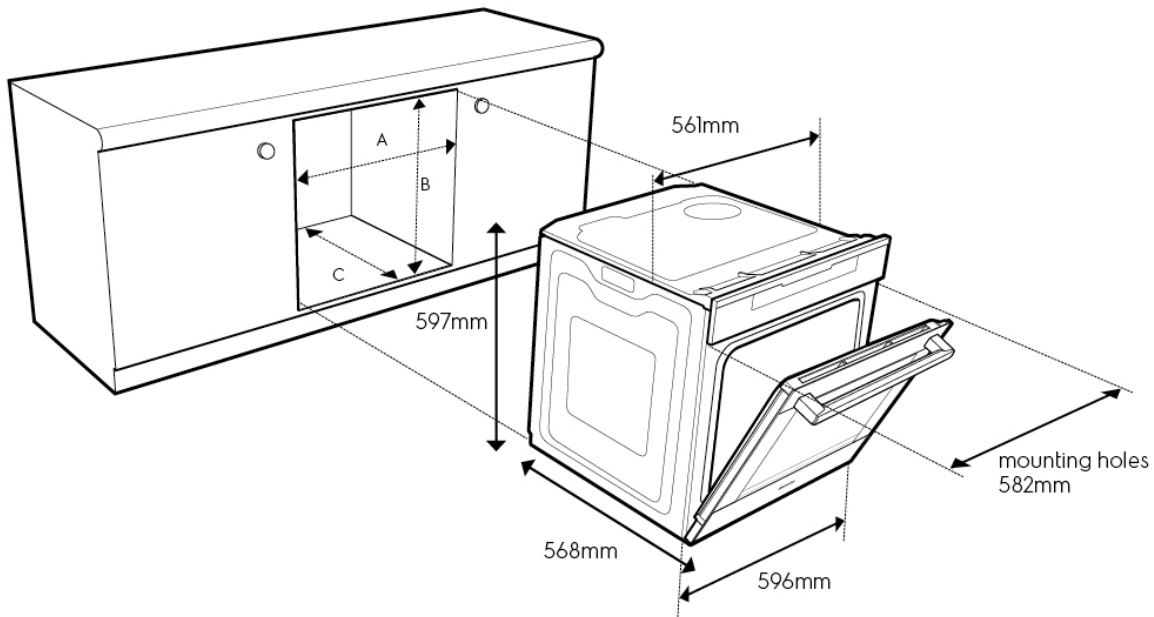
Dimensions

Models:

| | |
|-----------|-----------|
| EVE602DSE | EVE614SD |
| EVE602SE | EVE614DSD |
| EVE602DSD | EVE616DSD |
| EVE602SD | |

Cut-out dimensions

| Type of fit | A (width) | B (height) | C (depth) |
|----------------|-----------|------------|-----------|
| Flush fit (mm) | 600 | 600 | 581 min. |



Please note! Dimensions to be used as a guide only. All customers MUST refer to the user manual supplied with the product for detailed installation instructions.

Terms and Conditions

IMPORTANT

This is a guide of product dimensions only. For complete installation instructions, refer to the manual provided with product.

PRODUCT INFORMATION

The descriptors and illustrations in this publication apply to the specific products and models described as at the date of issue. Under our policy of continuous product development, product specifications may change without notice. Prospective purchasers should therefore check with their retailer to ensure this publication correctly describes the products that are being offered for sale. All information supplied is to be used for general reference purposes only and is on the understanding that Electrolux Home Products Pty Ltd (Australia) and Electrolux (NZ) Ltd (New Zealand) will not be liable for any loss, liability or damage of whatever kind arising as a result of reliance on such information. Colours of products illustrated are as close as printing limitations allow. Electrolux will at all times comply with its obligations pursuant to law including Trade Practices (Australian Consumer Law) Act and Regulations.

WARRANTY

This warranty only applies to Appliances purchased and used in Australia or New Zealand and used in normal domestic applications and is in addition to (and does not exclude, restrict, or modify in any way) any non-excludable statutory warranties in Australia or New Zealand. All warranties are subject to the conditions set out in the warranty card accompanying the product when purchased.

ELECTROLUX HOME PRODUCTS AUSTRALIA

telephone: 1300 363 640

fax: 1800 350 067

email: customercare@electrolux.com.au

web: www.electrolux.com.au

ELECTROLUX HOME PRODUCTS NEW ZEALAND

telephone: 09 573 2230

fax: 09 573 2221

email: customercare@electrolux.co.nz

web: www.electrolux.co.nz