

**60cm multifunction 12 steam oven with Intuitive Oven Interface, Smart Food Probe and FullFlex telescopic slide. Only available at selected Harvey Norman, Domayne, and Joyce Mayne Group stores**



## Product Details

### FEATURES

---

Selected stockists only  
Only available at selected  
Domayne, Harvey Norman  
and Joyce Mayne Stores.

Unique IOI™ technology\* –  
no manuals required

Elegant and effective oven  
display

Cook with steam and hot air

---

Smart Food Probe

80L gross capacity oven

FullFlex Telescopic Runners

Cooler touch door

---

### BENEFITS

---

#### IOI makes cooking easy

Experience a simpler, more enjoyable way to cook. Our unique Intuitive Oven Interface (IOI) makes our ovens so easy to use you won't need a manual. Plus the elegant full colour screen displays temperature and function feedback so you can easily program and check your cooking for impressive results without the extra effort.

#### Elegant and effective oven display

Elegant and stylish, the full colour screen displays temperature and function feedback. The high definition full colour animation clearly shows the oven's status and proves that functional design can be beautiful too. What's more, the Black oven range has a full black front when powered off. Yet, with just one touch from your finger, the oven display will come to life and be ready to create your next delicious meal.

---

#### Healthy steam cooking

Professional cooks have known the benefits of steam cooking for many years, with food looking great and tasting superior

#### Excellence with steam

Steam combined with traditional hot air cooking makes good food great. The colours are richer, the food more moist and flavoursome, and your guests more satisfied.

---

#### Smart Food Probe

Never overcook a roast again. The convenient Smart Food Probe measures the core temperature of food and switches off the oven when it's ready.

#### Huge 80L gross capacity oven

Designed for the entertainer and large families, this large capacity 80-litre oven will make catering for every occasion quick and easy. Plus, energy use is also kept to a minimum, despite its size.

---

#### FullFlex Telescopic Runners

Our FullFlex telescopic runners give you safe, easy access all areas of your oven. This makes it easier to turn and stir your food for great results every time.

#### Cooler touch door

For added safety and confidence in the kitchen, the cooler touch door features an innovative door cooling system with multiple glazed door panels. The door design minimises heat being transferred outside the oven, while ensuring a cooler touch oven door and cooler kitchen environment.

---

## Specifications

### PRODUCT PROFILE

---

Domestic warranty details (yrs) 2

---

Type of Oven single steam oven

---

Oven fuel electric

---

Materials/Colour mark resistant stainless steel,black

---

Controls of Oven IOI,touch

---

Cooling fan Yes

---

### FLUSH FIT CUT OUT

---

Flush fit cut out height (mm) 600

---

Flush fit cut out width (mm) 600

---

Flush fit cut out depth (mm) 581

---

### DIMENSIONS

---

#### PRODUCT DIMENSION

---

Total height (mm) 597

---

Total width (mm) 596

---

Total depth (mm) 573

---

### MAIN OVEN

---

Gross capacity litres 80

---

Useable capacity litres 72

---

Oven function multifunction

---

Number of functions 12

---

## ELECTRICAL CONNECTION

Connected load KW	3.5
Maximum current rating (amps)	12.9
Type of connection	hardwired
Minimum Fuse rating (amps)	16

## MAIN OVEN

Oven Functions	fan cooking,traditional bake,roast,pastry,cook from frozen,full grill,fan grill,defrost,Half grill,base heat,steam reheating,steam cooking ,pizza and steam
Oven liner	pyrolux high temperature enamel
Timer functions	acoustic signal,duration,end,minute minder,oven start,stop,Countdown

## OTHER FEATURES

Cleaning	catalytic
Catalytic liner position	rear
Door	removable door,cool door,removable inner glass panes
Timer	Fully programmable touch control timer
Lights	1
Light wattage	25
Light position	rear
Telescopic runners	one

---

**OTHER FEATURES**

---

---

Shelf support	side rack
---------------	-----------

---

Number of shelves	2
-------------------	---

---

Safety features	cool door
-----------------	-----------

---

Closed door grilling	Yes
----------------------	-----

---

Fold down grill element	Yes
-------------------------	-----

---

Included accessories	baking tray, 2 x chromed wire shelf, grill/oven pan, grill insert, Smart food probe, roasting rack, telescopic runners
----------------------	--

---

Layers of glass in door	4
-------------------------	---

---

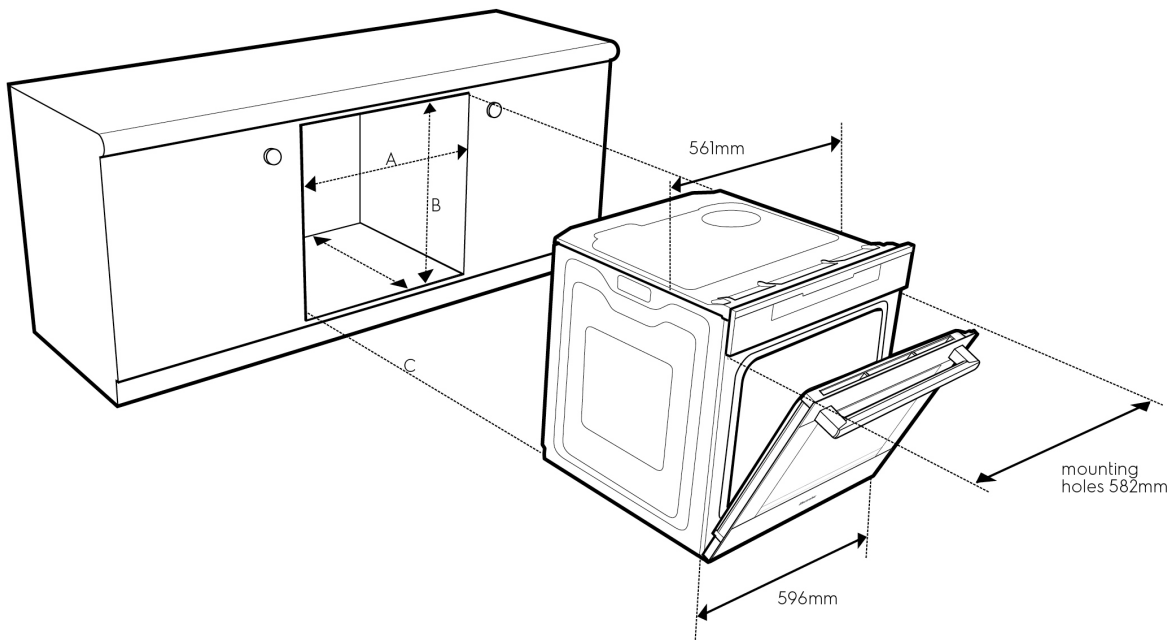
Number of shelf positions	5
---------------------------	---

---

## Dimensions

### Cut-out dimensions

Type of fit	A (width)	B (height)	C (depth)
Flush fit (mm)	600	600	581 min.



## Terms and Conditions

### IMPORTANT

This is a guide of product dimensions only. For complete installation instructions, refer to the manual provided with product.

### PRODUCT INFORMATION

The descriptors and illustrations in this publication apply to the specific products and models described as at the date of issue. Under our policy of continuous product development, product specifications may change without notice. Prospective purchasers should therefore check with their retailer to ensure this publication correctly describes the products that are being offered for sale. All information supplied is to be used for general reference purposes only and is on the understanding that Electrolux Home Products Pty Ltd (Australia) and Electrolux (NZ) Ltd (New Zealand) will not be liable for any loss, liability or damage of whatever kind arising as a result of reliance on such information. Colours of products illustrated are as close as printing limitations allow. Electrolux will at all times comply with its obligations pursuant to law including Trade Practices (Australian Consumer Law) Act and Regulations.

### WARRANTY

This warranty only applies to Appliances purchased and used in Australia or New Zealand and used in normal domestic applications and is in addition to (and does not exclude, restrict, or modify in any way) any non-excludable statutory warranties in Australia or New Zealand. All warranties are subject to the conditions set out in the warranty card accompanying the product when purchased.

#### ELECTROLUX HOME PRODUCTS AUSTRALIA

telephone: 1300 363 640

fax: 1800 350 067

email: [customercare@electrolux.com.au](mailto:customercare@electrolux.com.au)

web: [www.electrolux.com.au](http://www.electrolux.com.au)

#### ELECTROLUX HOME PRODUCTS NEW ZEALAND

telephone: 09 573 2230

fax: 09 573 2221

email: [customercare@electrolux.co.nz](mailto:customercare@electrolux.co.nz)

web: [www.electrolux.co.nz](http://www.electrolux.co.nz)