

60cm Dark stainless steel 12/6 multifunction duo oven with Bake +Steam, Intuitive Oven Interface and Smart Food Probe.



Product Details

FEATURES

Bake +Steam	Intuitive Oven Interface (IOI)	Smart Food Probe	FullFlex Telescopic Runners
Easy glide side racks	Surround lighting for better illumination Keeping an eye on your delicious food couldnt be simpler, with halogen lights embedded in the front and back to illuminate the oven.	12/6 oven functions	Large 80L/46L oven capacity

BENEFITS

Effortless baking

Adding steam to your Baking Program can lift your baking skills to a whole new level. The Bake +Steam function on this oven uses a touch of steam to create a richer and glossier colour, a crispier crust and soft delicious texture for your home-baked goodies.

Say hello to intuitive control

Cooking should be fun, not complicated. Our Intuitive Oven Interface (IOI) gives you a simpler and more enjoyable way to cook. You wont even need a manual.

The perfect result, every time

The Smart Food Probe ensures your dishes are delicious every time. The food probe alerts you when food reaches the desired core temperature and switches the oven off so you get the perfect result.

Smooth operator

Our fully extendable telescopic runners give you safe, effortless access to all areas of your oven. This makes it simple to turn, baste and check on your food for delicious results every time.

Specifications

PRODUCT PROFILE

Domestic warranty details (yrs)	2
Type of Oven	duo oven
Oven fuel	electric
Materials/Colour	Dark stainless steel,black
Controls of Oven	IOI,touch
Cooling fan	Yes

FLUSH FIT CUT OUT

Flush fit cut out height (mm)	893
Flush fit cut out width (mm)	600
Flush fit cut out depth (mm)	581

DIMENSIONS

PRODUCT DIMENSION

Total height (mm)	890
Total width (mm)	596
Total depth (mm)	568

MAIN OVEN

Gross capacity litres	80
Useable capacity litres	72
Oven function	multifunction
Number of functions	12
Oven Functions	traditional bake,roast,pizza,cook from frozen,full grill,fan grill,keep warm,defrost,fan cooking,fan assist bake,pastry,grill

SECOND OVEN OR GRILL

Gross capacity litres	46
Useable capacity litres	38
Oven functions	multifunction
Number of functions	6
Oven Functions	fan assist bake,traditional bake,pastry,keep warm,fan grill,grill
Fold down grill element	Yes
Closed door grilling	Yes

OTHER FEATURES

Cleaning	catalytic
Catalytic liner position	rear

MAIN OVEN

Oven liner	pyrolux high temperature enamel
Timer functions	acoustic signal,duration,minute minder,Countdown,End time,Delayed start,Time of day

ELECTRICAL CONNECTION

Connected load KW	5.3
Maximum current rating (amps)	22.1
Type of connection	hardwired
Minimum Fuse rating (amps)	25

SHIPPING

Shipping Volume (m3)	0.41
Shipping Weight (Kg)	70.0

OTHER FEATURES

Door	removable door,removable inner glass panes
------	--

Timer	Fully programmable touch control timer
-------	--

Lights	4
--------	---

Light wattage	25
---------------	----

Light position	side and rear
----------------	---------------

Telescopic runners	three
--------------------	-------

Shelf support	Easy glide side racks
---------------	-----------------------

Number of shelves	4
-------------------	---

Safety features	child button lock
-----------------	-------------------

Closed door grilling	Yes
----------------------	-----

Fold down grill element	Yes
-------------------------	-----

Included accessories	baking tray,side racks,grill/oven pan,telescopic runners x 3,3 x chromed wire racks,cast baking dish,Smart food probe
----------------------	---

Layers of glass in door	3
-------------------------	---

Number of shelf positions	8
---------------------------	---

SHIPPING

Pack Dimensions Height (mm)	960
-----------------------------	-----

Pack Dimension Width (mm)	635
---------------------------	-----

Pack Dimension Depth (mm)	670
---------------------------	-----

Total shelf area (m ²)	42.55
------------------------------------	-------

OTHER FEATURES

Food probe	Yes
------------	-----

STUFFING QUANTITIES

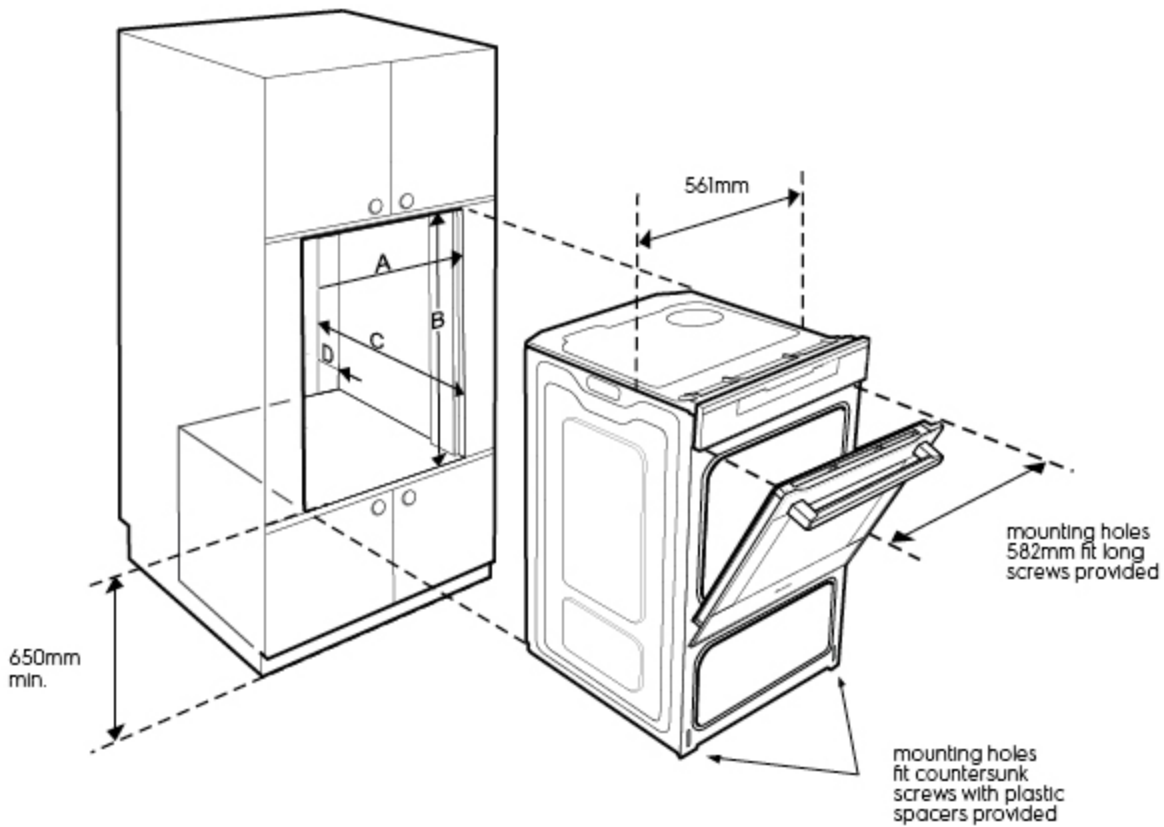
40ft	96
------	----

Dimensions

Models:
 EVEP626SD
 EVEP626DSD
 EVE626DSD

Duo cut-out dimensions

Type of fit	A (width)	B (height)	C (depth)	D*
Flush fit (mm)	600	893	561	20



Please note Dimensions to be used as a guide only. All customers MUST refer to the user manual supplied with the product for detailed installation instructions.

*** D - Dimension**

For proper ventilation there must be a gap at the bottom rear of the cabinet. This can be a slot 20mm deep or an equivalent, full width opening (e.g. a series of holes) with a min area of 120cm². The opening must be clear of the product when fully installed. This is a requirement of any EVEPxxxx and Duo models. If the supply cords damaged it must be replaced by the manufacturer, its service agent or similarly qualified persons in order to avoid a hazard.

© 2019 Electrolux Home Products Pty Ltd. EDIM_DuoOven_Jan19

Terms and Conditions

IMPORTANT

This is a guide of product dimensions only. For complete installation instructions, refer to the manual provided with product.

PRODUCT INFORMATION

The descriptors and illustrations in this publication apply to the specific products and models described as at the date of issue. Under our policy of continuous product development, product specifications may change without notice. Prospective purchasers should therefore check with their retailer to ensure this publication correctly describes the products that are being offered for sale. All information supplied is to be used for general reference purposes only and is on the understanding that Electrolux Home Products Pty Ltd (Australia) and Electrolux (NZ) Ltd (New Zealand) will not be liable for any loss, liability or damage of whatever kind arising as a result of reliance on such information. Colours of products illustrated are as close as printing limitations allow. Electrolux will at all times comply with its obligations pursuant to law including Trade Practices (Australian Consumer Law) Act and Regulations.

WARRANTY

This warranty only applies to Appliances purchased and used in Australia or New Zealand and used in normal domestic applications and is in addition to (and does not exclude, restrict, or modify in any way) any non-excludable statutory warranties in Australia or New Zealand. All warranties are subject to the conditions set out in the warranty card accompanying the product when purchased.

ELECTROLUX HOME PRODUCTS AUSTRALIA

telephone: 1300 363 640

fax: 1800 350 067

email: customercare@electrolux.com.au

web: www.electrolux.com.au

ELECTROLUX HOME PRODUCTS NEW ZEALAND

telephone: 09 573 2230

fax: 09 573 2221

email: customercare@electrolux.co.nz

web: www.electrolux.co.nz