

60cm multifunction 12 double oven with Intuitive Oven Interface control system and telescopic runners



Product Details

FEATURES

IOI makes cooking easy

Elegant and effective oven display

80L gross capacity oven

BENEFITS

IOI makes cooking easy

Experience a simpler, more enjoyable way to cook. Our unique Intuitive Oven Interface (IOI) makes our ovens so easy to use you won't need a manual. Plus the elegant full colour screen displays temperature and function feedback so you can easily program and check your cooking for impressive results without the extra effort.

Elegant and effective oven display

Elegant and stylish, the full colour screen displays temperature and function feedback. The high definition full colour animation clearly shows the oven's status and proves that functional design can be beautiful too.

Huge 80L gross capacity oven

Designed for the entertainer and large families, this large capacity 80-litre oven will make catering for every occasion quick and easy. Plus, energy use is also kept to a minimum, despite its size.

Cooler touch door

For added safety and confidence in the kitchen, the cooler touch door features an innovative door cooling system with multiple glazed door panels. The door design minimises heat being transferred outside the oven, while ensuring a cooler touch oven door and cooler kitchen environment.

Specifications

PRODUCT PROFILE

Domestic warranty details (yrs)	2
---------------------------------	---

Type of Oven	double oven
--------------	-------------

Oven fuel	electric
-----------	----------

Materials/Colour	mark resistant stainless steel
------------------	--------------------------------

Controls of Oven	IOI,touch
------------------	-----------

Cooling fan	Yes
-------------	-----

FLUSH FIT CUT OUT

Flush fit cut out height (mm)	1086
-------------------------------	------

Flush fit cut out width (mm)	600
------------------------------	-----

Flush fit cut out depth (mm)	581
------------------------------	-----

DIMENSIONS

PRODUCT DIMENSION

Total height (mm)	1083
-------------------	------

Total width (mm)	596
------------------	-----

Total depth (mm)	573
------------------	-----

MAIN OVEN

Gross capacity litres	80
-----------------------	----

Useable capacity litres	72
-------------------------	----

Oven function	multifunction
---------------	---------------

Number of functions	12
---------------------	----

MAIN OVEN

Oven Functions	traditional bake,roast,pizza,cook from frozen,full grill,fan grill,keep warm,defrost,fan cooking,fan assist bake,pastry,Half grill
----------------	--

Oven liner	pyrolux high temperature enamel
------------	---------------------------------

Timer functions	acoustic signal,duration,end,minute minder,oven start,stop,Countdown
-----------------	--

SECOND OVEN OR GRILL

Gross capacity litres	80
-----------------------	----

Useable capacity litres	72
-------------------------	----

Oven functions	multifunction
----------------	---------------

Number of functions	12
---------------------	----

Oven Functions	traditional bake,full grill,keep warm,fan assist bake,pastry,Half grill,fan cooking,roast,pizza,cook from frozen,fan grill,defrost
----------------	--

Fold down grill element	Yes
-------------------------	-----

Closed door grilling	Yes
----------------------	-----

Shelf support	side rack
---------------	-----------

ELECTRICAL CONNECTION

Connected load KW	6.2
-------------------	-----

Maximum current rating (amps)	24.2
-------------------------------	------

Type of connection	hardwired
--------------------	-----------

Minimum Fuse rating (amps)	25
----------------------------	----

SECOND OVEN OR GRILL

Number of shelves	2
Number of shelf positions	8
Lights	3
Light position	side and rear
Layers of glass in door	3
Telescopic runners	two

OTHER FEATURES

Cleaning	catalytic
Catalytic liner position	rear,sides,top
Door	removable door,cool door,removable inner glass panes
Timer	Fully programmable touch control timer
Lights	3
Light wattage	25
Light position	side and rear

OTHER FEATURES

Telescopic runners two

Shelf support side rack

Number of shelves 2

Safety features cool door

Closed door grilling Yes

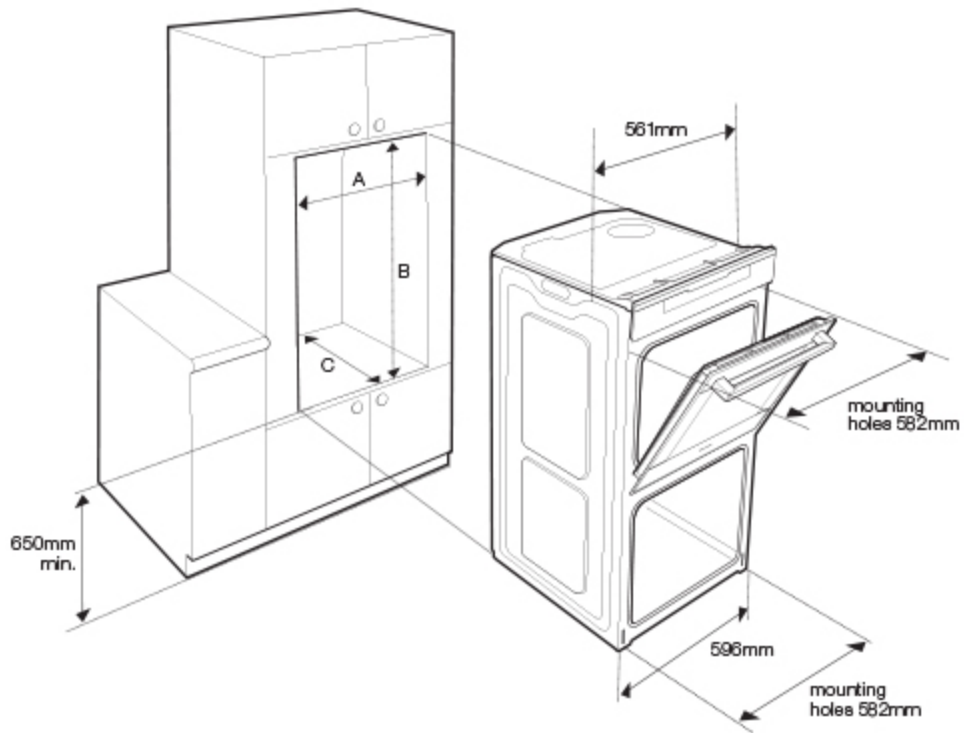
Fold down grill element Yes

Included accessories baking tray,2 x chromed wire shelf,roasting dish,roasting rack,telescopic runners,side racks,anti splatter grill insert

Layers of glass in door 3

Number of shelf positions 8

Dimensions



Terms and Conditions

IMPORTANT

This is a guide of product dimensions only. For complete installation instructions, refer to the manual provided with product.

PRODUCT INFORMATION

The descriptors and illustrations in this publication apply to the specific products and models described as at the date of issue. Under our policy of continuous product development, product specifications may change without notice. Prospective purchasers should therefore check with their retailer to ensure this publication correctly describes the products that are being offered for sale. All information supplied is to be used for general reference purposes only and is on the understanding that Electrolux Home Products Pty Ltd (Australia) and Electrolux (NZ) Ltd (New Zealand) will not be liable for any loss, liability or damage of whatever kind arising as a result of reliance on such information. Colours of products illustrated are as close as printing limitations allow. Electrolux will at all times comply with its obligations pursuant to law including Trade Practices (Australian Consumer Law) Act and Regulations.

WARRANTY

This warranty only applies to Appliances purchased and used in Australia or New Zealand and used in normal domestic applications and is in addition to (and does not exclude, restrict, or modify in any way) any non-excludable statutory warranties in Australia or New Zealand. All warranties are subject to the conditions set out in the warranty card accompanying the product when purchased.

ELECTROLUX HOME PRODUCTS AUSTRALIA

telephone: 1300 363 640

fax: 1800 350 067

email: customercare@electrolux.com.au

web: www.electrolux.com.au

ELECTROLUX HOME PRODUCTS NEW ZEALAND

telephone: 09 573 2230

fax: 09 573 2221

email: customercare@electrolux.co.nz

web: www.electrolux.co.nz