

60cm Dark stainless steel 12/12 multifunction double oven with Bake +Steam, Intuitive Oven Interface and Smart Food Probe.



Product Details

FEATURES

Bake +Steam

Intuitive Oven Interface (IOI)

Smart Food Probe

FullFlex Telescopic Runners

Surround lighting for better illumination
Keeping an eye on your delicious food couldnt be simpler, with halogen lights embedded in the front and back to illuminate the oven.

Easy glide side racks

12/12 oven functions

2 x 80ltr ovens

BENEFITS

Effortless baking

Adding steam to your Baking Program can lift your baking skills to a whole new level. The Bake +Steam function on this oven uses a touch of steam to create a richer and glossier colour, a crispier crust and soft delicious texture for your home-baked goodies.

Say hello to intuitive control

Cooking should be fun, not complicated. Our Intuitive Oven Interface (IOI) gives you a simpler and more enjoyable way to cook. You wont even need a manual.

The perfect result, every time

The Smart Food Probe ensures your dishes are delicious every time. The food probe alerts you when food reaches the desired core temperature and switches the oven off so you get the perfect result.

Smooth operator

Our fully extendable telescopic runners give you safe, effortless access to all areas of your oven. This makes it simple to turn, baste and check on your food for delicious results every time.

Specifications

PRODUCT PROFILE

Domestic warranty details (yrs)	2
Type of Oven	double oven
Oven fuel	electric
Materials/Colour	Dark stainless steel,black
Controls of Oven	IOI,touch
Cooling fan	Yes

FLUSH FIT CUT OUT

Flush fit cut out height (mm)	1086
Flush fit cut out width (mm)	600
Flush fit cut out depth (mm)	581

DIMENSIONS

PRODUCT DIMENSION

Total height (mm)	1083
Total width (mm)	596
Total depth (mm)	568

MAIN OVEN

Gross capacity litres	80
Useable capacity litres	72
Oven function	multifunction
Number of functions	12

MAIN OVEN

Oven Functions	traditional bake,roast,pizza,cook from frozen,full grill,fan grill,keep warm,defrost,fan cooking,fan assist bake,pastry,grill,Plus steam,rapid heat
----------------	---

Oven liner	pyrolux high temperature enamel
------------	---------------------------------

Timer functions	acoustic signal,duration,minute minder,Countdown,End time,Delayed start,Time of day
-----------------	---

SECOND OVEN OR GRILL

Gross capacity litres	80
-----------------------	----

Useable capacity litres	72
-------------------------	----

Oven functions	multifunction
----------------	---------------

Number of functions	12
---------------------	----

Oven Functions	traditional bake,full grill,keep warm,fan assist bake,pastry,fan cooking,roast,pizza,cook from frozen,fan grill,defrost,grill
----------------	---

Fold down grill element	Yes
-------------------------	-----

Closed door grilling	Yes
----------------------	-----

ELECTRICAL CONNECTION

Connected load KW	6.2
-------------------	-----

Maximum current rating (amps)	25.8
-------------------------------	------

Type of connection	hardwired
--------------------	-----------

Minimum Fuse rating (amps)	32
----------------------------	----

OTHER FEATURES

Cleaning	catalytic
----------	-----------

Catalytic liner position	rear
--------------------------	------

Door	removable door,removable inner glass panes
------	--

Timer	Fully programmable touch control timer
-------	--

Lights	6
--------	---

Light wattage	25
---------------	----

Light position	side and rear
----------------	---------------

Telescopic runners	FullFlex telescopic runners
--------------------	-----------------------------

Shelf support	Easy glide side racks
---------------	-----------------------

Number of shelves	6
-------------------	---

Safety features	child button lock
-----------------	-------------------

Closed door grilling	Yes
----------------------	-----

Fold down grill element	Yes
-------------------------	-----

Included accessories	telescopic runners,side racks,2 x baking trays,cast baking dish,Smart food probe,2 grill/oven pan,4 x chromed wired shelves
----------------------	---

SHIPPING

Shipping Volume (m3)	0.49
----------------------	------

Shipping Weight (Kg)	89.0
----------------------	------

Pack Dimensions Height (mm)	1150
-----------------------------	------

Pack Dimension Width (mm)	635
---------------------------	-----

Pack Dimension Depth (mm)	670
---------------------------	-----

Total shelf area (m ²)	42.55
------------------------------------	-------

OTHER FEATURES

Layers of glass in door 3

Number of shelf positions 10

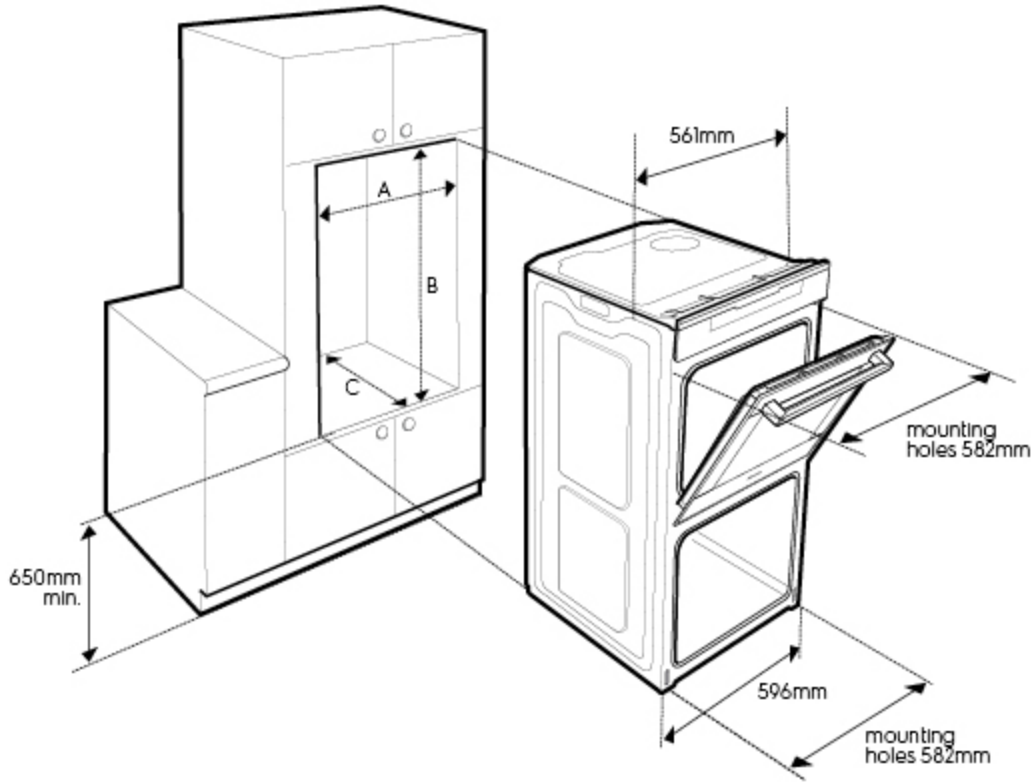
Food probe Yes

STUFFING QUANTITIES

40ft 96

Dimensions

Model:
EVE636DSD



Terms and Conditions

IMPORTANT

This is a guide of product dimensions only. For complete installation instructions, refer to the manual provided with product.

PRODUCT INFORMATION

The descriptors and illustrations in this publication apply to the specific products and models described as at the date of issue. Under our policy of continuous product development, product specifications may change without notice. Prospective purchasers should therefore check with their retailer to ensure this publication correctly describes the products that are being offered for sale. All information supplied is to be used for general reference purposes only and is on the understanding that Electrolux Home Products Pty Ltd (Australia) and Electrolux (NZ) Ltd (New Zealand) will not be liable for any loss, liability or damage of whatever kind arising as a result of reliance on such information. Colours of products illustrated are as close as printing limitations allow. Electrolux will at all times comply with its obligations pursuant to law including Trade Practices (Australian Consumer Law) Act and Regulations.

WARRANTY

This warranty only applies to Appliances purchased and used in Australia or New Zealand and used in normal domestic applications and is in addition to (and does not exclude, restrict, or modify in any way) any non-excludable statutory warranties in Australia or New Zealand. All warranties are subject to the conditions set out in the warranty card accompanying the product when purchased.

ELECTROLUX HOME PRODUCTS AUSTRALIA

telephone: 1300 363 640

fax: 1800 350 067

email: customercare@electrolux.com.au

web: www.electrolux.com.au

ELECTROLUX HOME PRODUCTS NEW ZEALAND

telephone: 09 573 2230

fax: 09 573 2221

email: customercare@electrolux.co.nz

web: www.electrolux.co.nz