

60cm oven with SteamBake, 12 cooking functions, AirFry Plus and TFT touchscreen with included telescopic runners



## Product Details

### FEATURES

---

AirFryPlus (+Steam)

AirFry +Steam for crispy and juicy results

46 assisted cooking programs

Steam Assisted Cleaning

Telescopic runners

Baste during cooking and slide trays in and out of the oven with easy access telescopic runners.

---

Soft close door

Triple glazed oven door

---

### BENEFITS

---

#### 3 YEAR WARRANTY

Because peace of mind should last as long as great design, this product has three years of trusted Electrolux support.

\*Available for purchases after 1 March 2026.

#### A TOUCH OF STEAM: THE SECRET TO PERFECT BAKING

Add a touch of steam for artisan style results at home. Add water to our inbuilt well to create steam for golden crusts and soft, airy centres, ideal for bread, pastries, and delicate bakes. Because perfect texture starts with perfect moisture.

---

#### EVENLY DISTRIBUTED HEAT

No more swapping trays for evenly cooked food.

SurroundCook circulates hot air to keep the temperature consistent throughout the oven.

#### AIRFRY MEETS STEAM

Get the best of both worlds, crispy on the outside, tender on the inside. By adding steam to AirFry, keep your drumsticks, chops or crumbed fish juicy whilst achieving that irresistible crunch.

---

#### EASY STEAM CLEANING

Steam Assisted Cleaning makes it easy to clean your oven after cooking. Simply add water to the bottom of the oven and steam will help dissolve grease and grime.

#### ASSISTED COOKING

The intuitive full-colour touch display provides a range of assisted cooking functions to help you achieve delicious results every time. Use automatic settings for ideal roasting, reheating or dough proving, or use the step by step guides for Bread and Pizzas, Meat and Fish or Vegetables.

---

**ACCESS ALL AREAS WITH EASE**

Telescopic runners make it easy for you to slide trays in and out of the oven. This provides safe, effortless access, making it easier to baste during cooking or check on how a dish is coming along. The runners also make light work of lifting and removing hot trays or heavy dishes.

---

## Specifications

### PRODUCT PROFILE

---

Domestic warranty details (yrs)	3
---------------------------------	---

---

Type of Oven	single oven
--------------	-------------

---

Oven fuel	electric
-----------	----------

---

Materials/Colour	black
------------------	-------

---

Controls of Oven	TFT touchscreen
------------------	-----------------

---

Cooling fan	Yes
-------------	-----

---

### FLUSH FIT CUT OUT

---

Flush fit cut out height (mm)	600
-------------------------------	-----

---

Flush fit cut out width (mm)	600
------------------------------	-----

---

Flush fit cut out depth (mm)	581
------------------------------	-----

---

### DIMENSIONS

---

#### PRODUCT DIMENSION

---

Total height (mm)	597
-------------------	-----

---

Total width (mm)	596
------------------	-----

---

Total depth (mm)	568
------------------	-----

---

### MAIN OVEN

---

Gross capacity litres	80
-----------------------	----

---

Useable capacity litres	72
-------------------------	----

---

Oven function	multifunction
---------------	---------------

---

Number of functions	12
---------------------	----

---

## MAIN OVEN

---

Oven Functions	fan cooking,traditional bake,pizza,grill,fan grill,defrost,SteamAssist Clean,SteamBake,rapid heat,base heat,AirFryPlus,Grill boost, Eco mode
----------------	---

---

Oven liner	pyrolux high temperature enamel
------------	---------------------------------

---

Timer functions	duration,end,minute minder,Delayed start,Time of day,function lock
-----------------	--

---

Light wattage	25
---------------	----

---

## ELECTRICAL CONNECTION

---

Connected load KW	3.6
-------------------	-----

---

Maximum current rating (amps)	15
----------------------------------	----

---

Type of connection	hardwired
--------------------	-----------

---

## OTHER FEATURES

---

Cleaning	steam
----------	-------

---

Timer	Fully programmable touch control timer
-------	---

---

Lights	2
--------	---

---

Light wattage	25
---------------	----

---

Light position	side and rear
----------------	---------------

---

Telescopic runners	one
--------------------	-----

---

Shelf support	side rack
---------------	-----------

---

**OTHER FEATURES**

---

Safety features	child button lock, Triple glazed door
-----------------	---------------------------------------

---

Closed door grilling	Yes
----------------------	-----

---

Fold down grill element	Yes
-------------------------	-----

---

Included accessories	grill/oven pan, pan carrier, baking tray, side racks, 2 x chromed wire shelf, telescopic runners, AirFry tray
----------------------	---

---

Layers of glass in door	3
-------------------------	---

---

Number of shelf positions	5
---------------------------	---

---

**SHIPPING**

---

Shipping Volume (m3)	0.28
----------------------	------

---

Shipping Weight (Kg)	39
----------------------	----

---

Pack Dimensions Height (mm)	655
-----------------------------	-----

---

Pack Dimension Width (mm)	635
---------------------------	-----

---

Pack Dimension Depth (mm)	670
---------------------------	-----

---

**STUFFING QUANTITIES**

---

20ft	72
------	----

---

40ft	153
------	-----

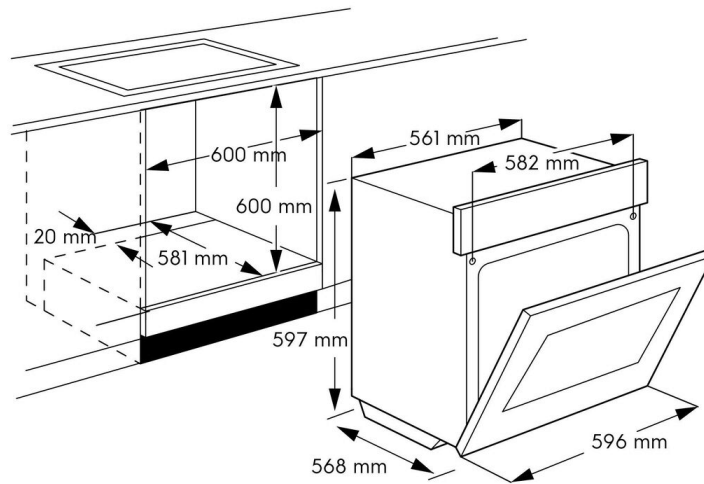
---

40ft HC	153
---------	-----

---

## Dimensions

Model:  
EVE6615DF



© 2025 Electrolux S.E.A PTE. LTD. ELXJM\_Diag\_EVE6615DF\_Oct25

## Terms and Conditions

### IMPORTANT

This is a guide of product dimensions only. For complete installation instructions, refer to the manual provided with product.

### PRODUCT INFORMATION

The descriptors and illustrations in this publication apply to the specific products and models described as at the date of issue. Under our policy of continuous product development, product specifications may change without notice. Prospective purchasers should therefore check with their retailer to ensure this publication correctly describes the products that are being offered for sale. All information supplied is to be used for general reference purposes only and is on the understanding that Electrolux Home Products Pty Ltd (Australia) and Electrolux (NZ) Ltd (New Zealand) will not be liable for any loss, liability or damage of whatever kind arising as a result of reliance on such information. Colours of products illustrated are as close as printing limitations allow. Electrolux will at all times comply with its obligations pursuant to law including Trade Practices (Australian Consumer Law) Act and Regulations.

### WARRANTY

This warranty only applies to Appliances purchased and used in Australia or New Zealand and used in normal domestic applications and is in addition to (and does not exclude, restrict, or modify in any way) any non-excludable statutory warranties in Australia or New Zealand. All warranties are subject to the conditions set out in the warranty card accompanying the product when purchased.

#### ELECTROLUX HOME PRODUCTS AUSTRALIA

telephone: 1300 363 640

fax: 1800 350 067

email: [customercare@electrolux.com.au](mailto:customercare@electrolux.com.au)

web: [www.electrolux.com.au](http://www.electrolux.com.au)

#### ELECTROLUX HOME PRODUCTS NEW ZEALAND

telephone: 09 573 2230

fax: 09 573 2221

email: [customercare@electrolux.co.nz](mailto:customercare@electrolux.co.nz)

web: [www.electrolux.co.nz](http://www.electrolux.co.nz)