

38cm combination steam and multifunction compact oven with touch control and quadruple glazed cool door



Product Details

FEATURES

Healthier cooking with MaxiSteam

Cook with steam and hot air

Save time with favourites program

Convenient automatic pre-defined programs

Smooth stylish control panel

Fast heat up function

BENEFITS

Healthier cooking with MaxiSteam

Discover the ultimate in healthy and tastier cooking with MaxiSteam. Using this 100% full steam mode captures all of the natural flavours, colours and vitamins in your food. Perfect for vegetables and seafood.

Cook with steam and hot air

The CombiSteam oven uses a combination of steam and hot air, a cooking method perfected by Electrolux for professionals. Cooking with steam locks in flavour and vital nutrients, while also preventing the cross-contamination of flavours.

Save time with favourites program

Save time and enjoy the convenience of cooking your favourite dishes with the touch of a button. Simply program in your own preferred cooking mode and you'll avoid having to re-program the oven every time you cook your chosen dish.

Convenient automatic pre-defined programs

Every cook needs a hand in the kitchen. The convenient automatic pre-defined programs feature an array of recipes to help make cooking a breeze.

Fast heat up function

When you need to start cooking immediately, simply use the fast heat-up function. Guaranteed to save you time and hassle.

Specifications

PRODUCT PROFILE

Domestic warranty details (yrs)	2
---------------------------------	---

Type of Oven	compact oven
--------------	--------------

Oven fuel	electric
-----------	----------

Materials/Colour	mark resistant stainless steel,black
------------------	--------------------------------------

Controls of Oven	touch
------------------	-------

Cooling fan	Yes
-------------	-----

FLUSH FIT CUT OUT

Flush fit cut out height (mm)	388
-------------------------------	-----

Flush fit cut out width (mm)	600
------------------------------	-----

Flush fit cut out depth (mm)	567
------------------------------	-----

DIMENSIONS

PRODUCT DIMENSION

Total height (mm)	380
-------------------	-----

Total width (mm)	596
------------------	-----

Total depth (mm)	550
------------------	-----

MAIN OVEN

Gross capacity litres	38
-----------------------	----

Useable capacity litres	36
-------------------------	----

Oven function	multifunction
---------------	---------------

Number of functions	16
---------------------	----

MAIN OVEN

Oven Functions	keep warm,defrost,true fan cooking,grilling,turbo grilling,bread baking,browning/ au gratin,dough proving,full steam,half steam & heat,low temp cooking/slow cooking,moist fan baking,plate warming,preserving,steam reheating,quarter steam and heat
----------------	---

Timer functions	acoustic signal,duration,end,minute minder
-----------------	--

ELECTRICAL CONNECTION

Connected load KW	2.3
-------------------	-----

Maximum current rating (amps)	10
-------------------------------	----

Type of connection	15 amp plug & lead
--------------------	--------------------

OTHER FEATURES

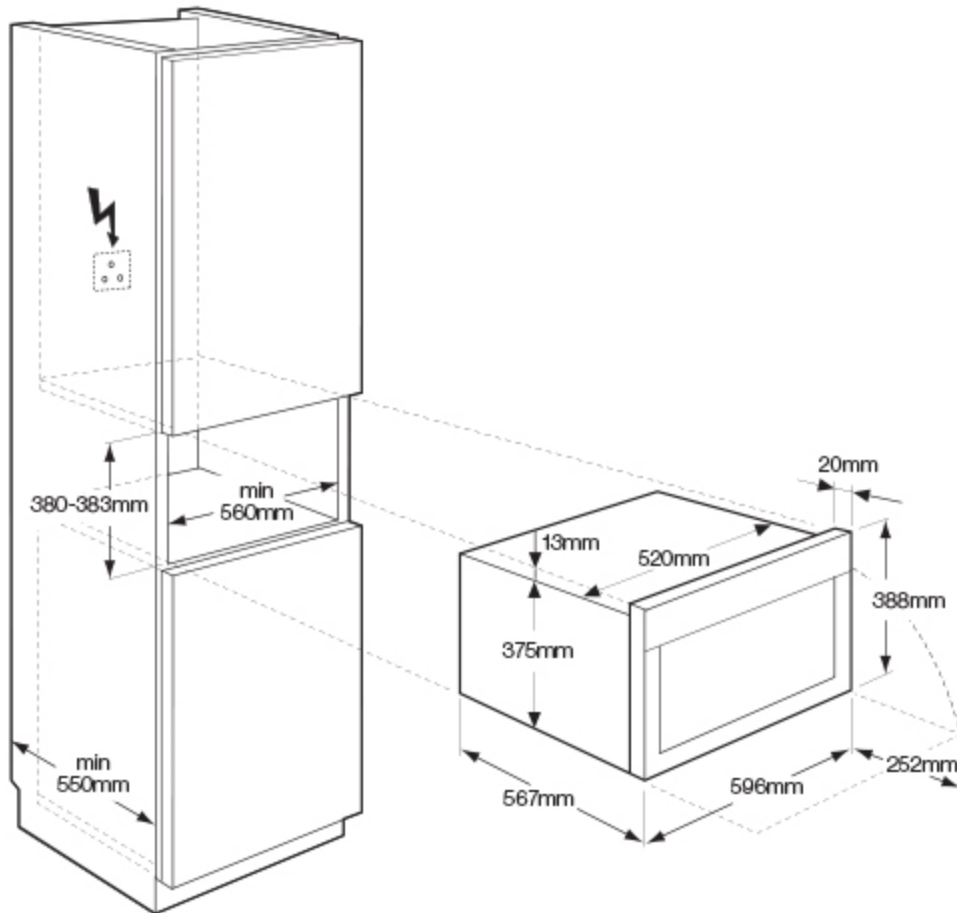
Cleaning	steam
----------	-------

Timer	Fully programmable touch control timer
-------	--

Lights	1
--------	---

Light wattage	25
---------------	----

Dimensions



Terms and Conditions

IMPORTANT

This is a guide of product dimensions only. For complete installation instructions, refer to the manual provided with product.

PRODUCT INFORMATION

The descriptors and illustrations in this publication apply to the specific products and models described as at the date of issue. Under our policy of continuous product development, product specifications may change without notice. Prospective purchasers should therefore check with their retailer to ensure this publication correctly describes the products that are being offered for sale. All information supplied is to be used for general reference purposes only and is on the understanding that Electrolux Home Products Pty Ltd (Australia) and Electrolux (NZ) Ltd (New Zealand) will not be liable for any loss, liability or damage of whatever kind arising as a result of reliance on such information. Colours of products illustrated are as close as printing limitations allow. Electrolux will at all times comply with its obligations pursuant to law including Trade Practices (Australian Consumer Law) Act and Regulations.

WARRANTY

This warranty only applies to Appliances purchased and used in Australia or New Zealand and used in normal domestic applications and is in addition to (and does not exclude, restrict, or modify in any way) any non-excludable statutory warranties in Australia or New Zealand. All warranties are subject to the conditions set out in the warranty card accompanying the product when purchased.

ELECTROLUX HOME PRODUCTS AUSTRALIA

telephone: 1300 363 640

fax: 1800 350 067

email: customercare@electrolux.com.au

web: www.electrolux.com.au

ELECTROLUX HOME PRODUCTS NEW ZEALAND

telephone: 09 573 2230

fax: 09 573 2221

email: customercare@electrolux.co.nz

web: www.electrolux.co.nz