

**38cm Combination steam and multifunction compact oven with touch control and quadruple glazed cool door**



## Product Details

### FEATURES

---

Cook with steam and hot air

Excellence with steam

Combination steam oven

Save time with favourites program

---

Convenient automatic pre-defined programs

Smooth stylish control panel

Fast heat up function

---

### BENEFITS

---

Excellence with steam

Steam combined with traditional hot air cooking makes good food great. The colours are richer, the food more moist and flavoursome, and your guests more satisfied.

Healthy steam cooking

Professional cooks have known the benefits of steam cooking for many years, with food looking great and tasting superior

---

Cook with steam and hot air

The CombiSteam oven uses a combination of steam and hot air, a cooking method perfected by Electrolux for professionals. Cooking with steam locks in flavour and vital nutrients, while also preventing the cross-contamination of flavours.

Save time with favourites program

Save time and enjoy the convenience of cooking your favourite dishes with the touch of a button. Simply program in your own preferred cooking mode and you'll avoid having to re-program the oven every time you cook your chosen dish.

---

Convenient automatic pre-defined programs

Every cook needs a hand in the kitchen. The convenient automatic pre-defined programs feature an array of recipes to help make cooking a breeze.

Fast heat up function

When you need to start cooking immediately, simply use the fast heat-up function. Guaranteed to save you time and hassle.

---

## Specifications

### PRODUCT PROFILE

---

Domestic warranty details (yrs) 2

---

Type of Oven compact oven

---

Oven fuel electric

---

Materials/Colour mark resistant stainless steel,black

---

Controls of Oven touch

---

Cooling fan Yes

---

### FLUSH FIT CUT OUT

---

Flush fit cut out height (mm) 391

---

Flush fit cut out width (mm) 600

---

Flush fit cut out depth (mm) 570

---

### DIMENSIONS

---

#### PRODUCT DIMENSION

---

Total height (mm) 388

---

Total width (mm) 596

---

Total depth (mm) 567

---

### MAIN OVEN

---

Gross capacity litres 38

---

Useable capacity litres 36

---

Oven function multifunction

---

Number of functions 16

---

---

**MAIN OVEN**

---

Oven Functions	keep warm,defrost,true fan cooking,grilling,turbo grilling,bread baking,browning/ au gratin,dough proving,full steam,half steam & heat,low temp cooking/slow cooking,moist fan baking,plate warming,preserving,steam reheating,quarter steam and heat
----------------	---

---

Timer functions	acoustic signal,duration,end,minute minder
-----------------	--

---

---

**ELECTRICAL CONNECTION**

---

Connected load KW	2.3
-------------------	-----

---

Maximum current rating (amps)	10
-------------------------------	----

---

Type of connection	15 amp plug & lead
--------------------	--------------------

---

---

**OTHER FEATURES**

---

Cleaning	steam
----------	-------

---

Timer	Fully programmable touch control timer
-------	--

---

Lights	1
--------	---

---

Light wattage	25
---------------	----

---

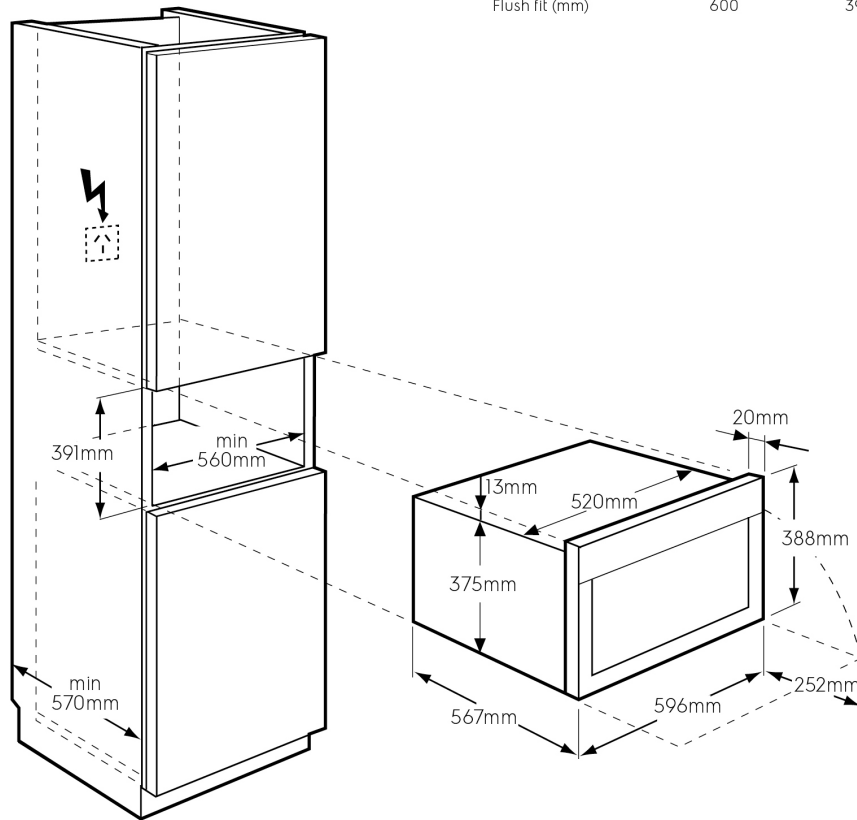
Included accessories	sponge,baking tray,wire shelf
----------------------	-------------------------------

---

# Dimensions

## Dimensions

Type of fit	width	height	depth
Flush fit (mm)	600	391	570 min.



## Terms and Conditions

### IMPORTANT

This is a guide of product dimensions only. For complete installation instructions, refer to the manual provided with product.

### PRODUCT INFORMATION

The descriptors and illustrations in this publication apply to the specific products and models described as at the date of issue. Under our policy of continuous product development, product specifications may change without notice. Prospective purchasers should therefore check with their retailer to ensure this publication correctly describes the products that are being offered for sale. All information supplied is to be used for general reference purposes only and is on the understanding that Electrolux Home Products Pty Ltd (Australia) and Electrolux (NZ) Ltd (New Zealand) will not be liable for any loss, liability or damage of whatever kind arising as a result of reliance on such information. Colours of products illustrated are as close as printing limitations allow. Electrolux will at all times comply with its obligations pursuant to law including Trade Practices (Australian Consumer Law) Act and Regulations.

### WARRANTY

This warranty only applies to Appliances purchased and used in Australia or New Zealand and used in normal domestic applications and is in addition to (and does not exclude, restrict, or modify in any way) any non-excludable statutory warranties in Australia or New Zealand. All warranties are subject to the conditions set out in the warranty card accompanying the product when purchased.

#### ELECTROLUX HOME PRODUCTS AUSTRALIA

telephone: 1300 363 640

fax: 1800 350 067

email: [customercare@electrolux.com.au](mailto:customercare@electrolux.com.au)

web: [www.electrolux.com.au](http://www.electrolux.com.au)

#### ELECTROLUX HOME PRODUCTS NEW ZEALAND

telephone: 09 573 2230

fax: 09 573 2221

email: [customercare@electrolux.co.nz](mailto:customercare@electrolux.co.nz)

web: [www.electrolux.co.nz](http://www.electrolux.co.nz)