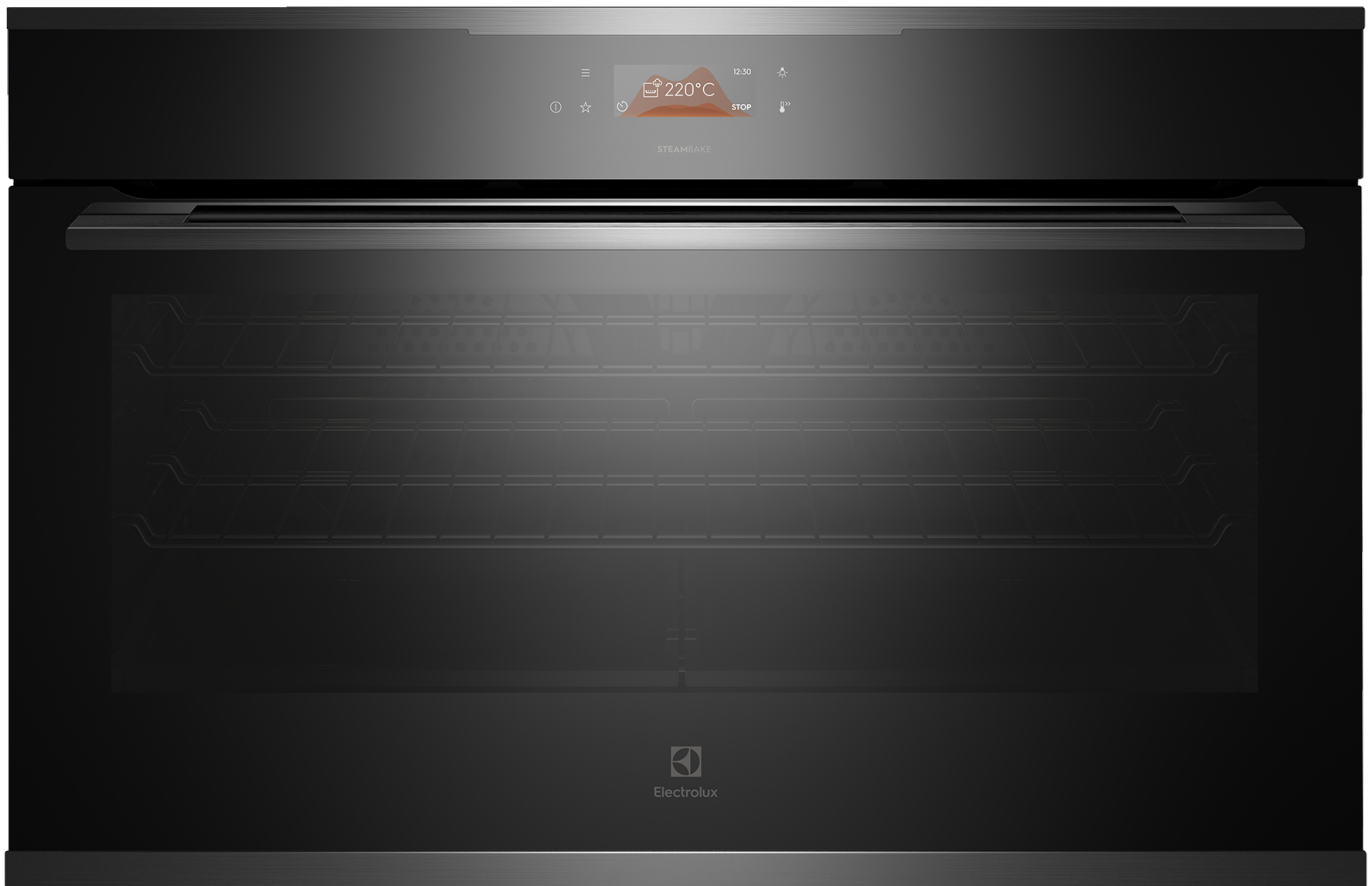


90cm Dark stainless steel 15 multifunction oven with SteamBake, food probe and colour TFT touchscreen display. COMMERCIAL SALES EXCLUSIVE



Product Details

FEATURES

SteamBake

Add SteamBake to your repertoire to enjoy fluffy, yet crisp home-baked goodies.

Food probe

Smart food probe monitors the core temperature of food to keep meat succulent and juicy.

Telescopic runners

Baste during cooking and slide trays in and out of the oven with easy access telescopic runners.

Auto programs

Select desired auto program, input weight or insert the food probe and let the oven do the rest.

Slow cooking and dough proving function

Low temperature programs are ideal for slow cooked meats and proving dough when making bread.

Colour TFT display

Soft close door

Dark stainless steel finish

Huge 125L gross capacity oven

BENEFITS

NEXT-LEVEL BAKING WITH STEAM

With SteamBake, you can create bakery-style bread in your own home. The added steam allows dough to rise more effectively than conventional heating. The steam helps to create an exquisitely soft centre, while the combination of hot air delivers deliciously glossy crusts.

PRECISE COOKING, GREAT RESULTS

Whether you're broiling beef or roasting chicken, the food probe helps you to achieve delicious results, time after time. By monitoring the core temperature of the food during the cooking process, your meats will be cooked to their succulent best. The precise sensor will even let you know when your dishes have been cooked to the desired temperature and automatically stop the process to prevent food from drying out.

PROGRAM FOR PERFECTION

Select from a large range of programs, input the weight or insert the food probe, and let the oven do the rest. Whether you're cooking roast potatoes with crispy skins, tender steaks, succulent roast chicken, or pizza for a crowd, the oven will adjust the cooking function, time and temperature to deliver the best possible results, adding steam whenever necessary.

ACCESS ALL AREAS WITH EASE

Telescopic runners make it easy for you to slide trays in and out of the oven. This provides safe, effortless access, making it easier to baste during cooking or check on how a dish is coming along. The runners also make light work of lifting and removing hot trays or heavy dishes.

Specifications

PRODUCT PROFILE

Domestic warranty details (yrs)	2
Type of Oven	single oven
Oven fuel	electric
Materials/Colour	black,Dark stainless steel
Controls of Oven	TFT touchscreen
Cooling fan	Yes

FLUSH FIT CUT OUT

Flush fit cut out height (mm)	600
Flush fit cut out width (mm)	900
Flush fit cut out depth (mm)	580

DIMENSIONS

PRODUCT DIMENSION

Total height (mm)	596
Total width (mm)	895
Total depth (mm)	572

MAIN OVEN

Gross capacity litres	125
Useable capacity litres	116
Oven function	multifunction
Number of functions	15

MAIN OVEN

Oven Functions	fan cooking, fan assist bake, traditional bake, roast, pizza, pastry, cook from frozen, full grill, fan grill, keep warm, defrost, dough proving, slow cooking, SteamBake
----------------	--

Oven liner	pyrolux high temperature enamel
------------	---------------------------------

Timer functions	acoustic signal, duration, minute minder, Countdown, End time, Time of day
-----------------	--

Light wattage	25
---------------	----

ELECTRICAL CONNECTION

Connected load KW	3.6
-------------------	-----

Maximum current rating (amps)	15
----------------------------------	----

Type of connection	hardwired
--------------------	-----------

OTHER FEATURES

Door	removable door, removable inner glass panes, Soft close
------	--

Timer	Fully programmable touch control timer
-------	---

Lights	2
--------	---

Light wattage	25
---------------	----

Light position	top
----------------	-----

Telescopic runners	one
--------------------	-----

Number of shelves	2
-------------------	---

OTHER FEATURES

Safety features	child button lock
Closed door grilling	Yes
Fold down grill element	Yes
Included accessories	Smart food probe,2 grill/oven pan,2 grill inserts,side racks,telescopic runners (1 set) ,2 x wire shelves,pan carrier
Layers of glass in door	3
Number of shelf positions	5
Food probe	Yes

COOKTOP (IF APPLICABLE)

DIMENSIONS

Total product height (mm)	596
Total product width (mm)	895
Total product depth (mm)	572
Cut out width (mm)	900
Cut out depth (mm)	580

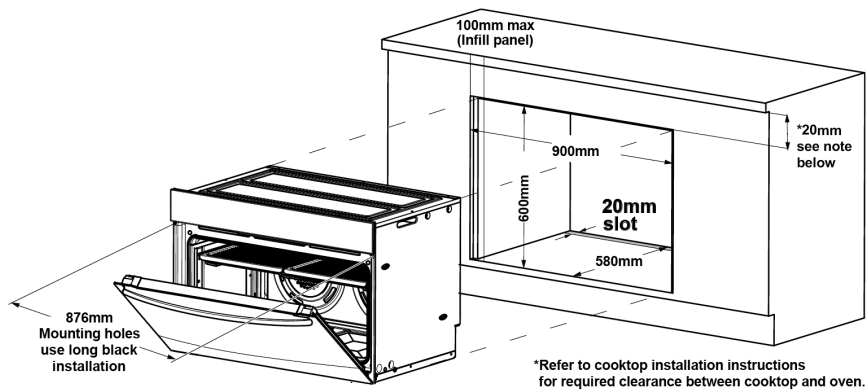
SHIPPING

Shipping Volume (m3)	0.54
Shipping Weight (Kg)	73
Pack Dimensions Height (mm)	900
Pack Dimension Width (mm)	1000
Pack Dimension Depth (mm)	750

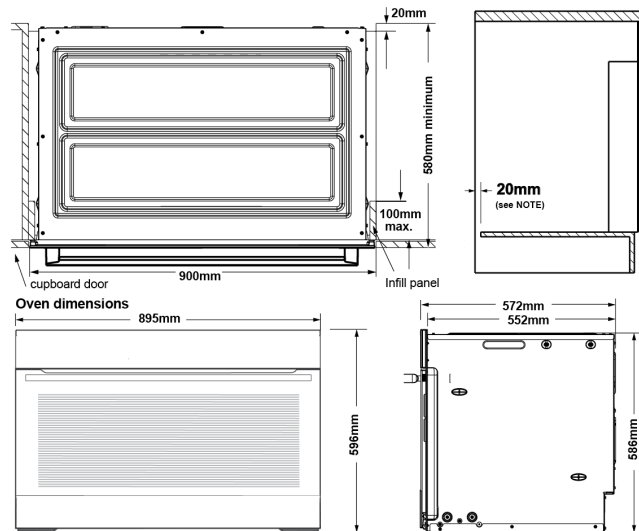
Cut out height (mm) 600

Dimensions

Model:
EVE915DSEA



NOTE: If a powerpoint is fitted it must be accessible with the appliance installed.



NOTE: If a powerpoint is fitted it must be accessible with the appliance installed.

© 2022 Electrolux S.E.A PTE. LTD. E_EVE915DSEA_DIM_Aug22

Terms and Conditions

IMPORTANT

This is a guide of product dimensions only. For complete installation instructions, refer to the manual provided with product.

PRODUCT INFORMATION

The descriptors and illustrations in this publication apply to the specific products and models described as at the date of issue. Under our policy of continuous product development, product specifications may change without notice. Prospective purchasers should therefore check with their retailer to ensure this publication correctly describes the products that are being offered for sale. All information supplied is to be used for general reference purposes only and is on the understanding that Electrolux Home Products Pty Ltd (Australia) and Electrolux (NZ) Ltd (New Zealand) will not be liable for any loss, liability or damage of whatever kind arising as a result of reliance on such information. Colours of products illustrated are as close as printing limitations allow. Electrolux will at all times comply with its obligations pursuant to law including Trade Practices (Australian Consumer Law) Act and Regulations.

WARRANTY

This warranty only applies to Appliances purchased and used in Australia or New Zealand and used in normal domestic applications and is in addition to (and does not exclude, restrict, or modify in any way) any non-excludable statutory warranties in Australia or New Zealand. All warranties are subject to the conditions set out in the warranty card accompanying the product when purchased.

ELECTROLUX HOME PRODUCTS AUSTRALIA

telephone: 1300 363 640

fax: 1800 350 067

email: customercare@electrolux.com.au

web: www.electrolux.com.au

ELECTROLUX HOME PRODUCTS NEW ZEALAND

telephone: 09 573 2230

fax: 09 573 2221

email: customercare@electrolux.co.nz

web: www.electrolux.co.nz