

**38cm Compact combination microwave, grill and fan forced oven with quadruple glazed door and full touch control**



## Product Details

### FEATURES

---

Precise temperature setting

Save time with favourites program

Convenient automatic pre-defined programs

Fast heat up function

---

Smooth stylish control panel

Multi-function including grill, roast and microwave  
Multi-function including grill, roast and microwave

---

### BENEFITS

---

Precise temperature setting

Take control of your cooking and cook every dish to perfection. With the benefit of precise temperature setting, you will always achieve the cooking results you desire.

Save time with favourites program

Save time and enjoy the convenience of cooking your favourite dishes with the touch of a button. Simply program in your own preferred cooking mode and you'll avoid having to re-program the oven every time you cook your chosen dish.

---

Convenient automatic pre-defined programs

Every cook needs a hand in the kitchen. The convenient automatic pre-defined programs feature an array of recipes to help make cooking a breeze.

Smooth stylish control panel

Simple to operate and beautifully designed, the flat stylish panel with touch on glass controls is so easy to clean.

---

Cooler touch 4 layer glass door

Featuring an innovative door cooling system with quadruple glazed door panels designed to minimise heat being transferred outside the oven and ensuring a cooler touch oven door

---

## Specifications

### PRODUCT PROFILE

---

Domestic warranty details (yrs)	2
Type of Oven	compact oven
Oven fuel	electric
Materials/Colour	mark resistant stainless steel,black
Controls of Oven	touch
Cooling fan	Yes

---

### FLUSH FIT CUT OUT

---

Flush fit cut out height (mm)	391
Flush fit cut out width (mm)	600
Flush fit cut out depth (mm)	570

---

### DIMENSIONS

---

#### PRODUCT DIMENSION

---

Total height (mm)	388
Total width (mm)	596
Total depth (mm)	567

---

### MAIN OVEN

---

Gross capacity litres	38
Useable capacity litres	36
Oven function	multifunction
Number of functions	12

---

## MAIN OVEN

---

Oven Functions	keep warm,defrost,browning/ au gratin,dough proving,plate warming,preserving,grill,low temperature cooking,turbo grill,fan cooking,microwave,drying,true fan,slow cook,grilling,turbo grilling
----------------	------------------------------------------------------------------------------------------------------------------------------------------------------------------------------------------------

---

Oven liner	enamel
------------	--------

---

Timer functions	acoustic signal,duration,end,minute minder
-----------------	--------------------------------------------

---

Light wattage	25
---------------	----

---

## ELECTRICAL CONNECTION

---

Connected load KW	2.3
-------------------	-----

---

Type of connection	15 amp plug & lead
--------------------	--------------------

---

## OTHER FEATURES

---

Door	cool door
------	-----------

---

Timer	Fully programmable touch control timer
-------	----------------------------------------

---

Lights	1
--------	---

---

Light wattage	25
---------------	----

---

Telescopic runners	one
--------------------	-----

---

Closed door grilling	Yes
----------------------	-----

---

Included accessories	glass turntable,baking tray,wire shelf
----------------------	----------------------------------------

---

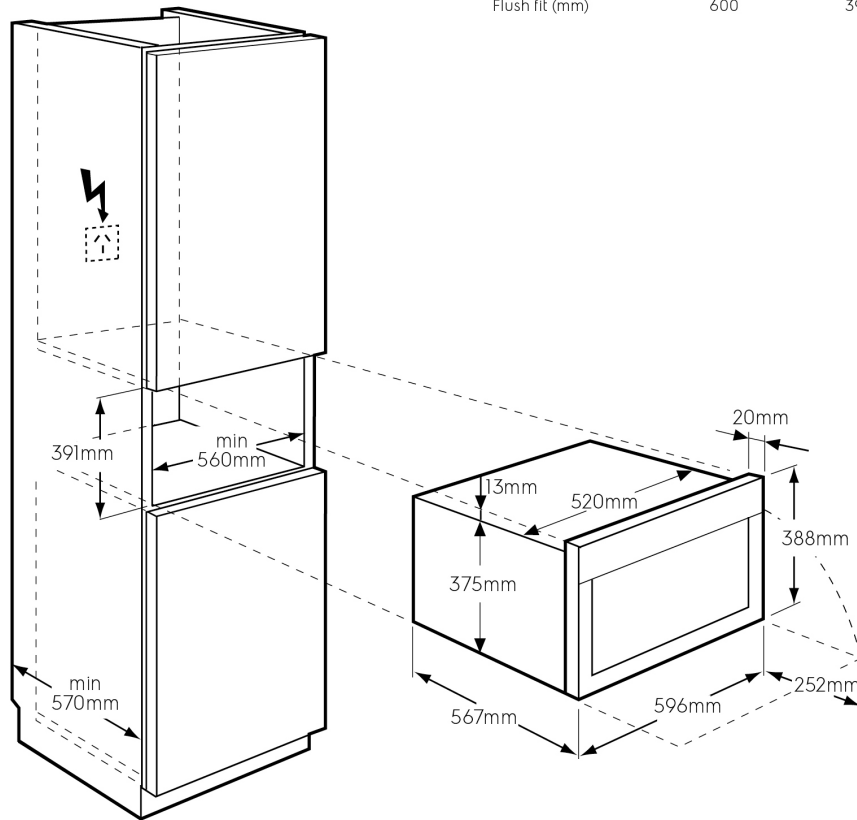
Layers of glass in door	4
-------------------------	---

---

# Dimensions

## Dimensions

Type of fit	width	height	depth
Flush fit (mm)	600	391	570 min.



## Terms and Conditions

### IMPORTANT

This is a guide of product dimensions only. For complete installation instructions, refer to the manual provided with product.

### PRODUCT INFORMATION

The descriptors and illustrations in this publication apply to the specific products and models described as at the date of issue. Under our policy of continuous product development, product specifications may change without notice. Prospective purchasers should therefore check with their retailer to ensure this publication correctly describes the products that are being offered for sale. All information supplied is to be used for general reference purposes only and is on the understanding that Electrolux Home Products Pty Ltd (Australia) and Electrolux (NZ) Ltd (New Zealand) will not be liable for any loss, liability or damage of whatever kind arising as a result of reliance on such information. Colours of products illustrated are as close as printing limitations allow. Electrolux will at all times comply with its obligations pursuant to law including Trade Practices (Australian Consumer Law) Act and Regulations.

### WARRANTY

This warranty only applies to Appliances purchased and used in Australia or New Zealand and used in normal domestic applications and is in addition to (and does not exclude, restrict, or modify in any way) any non-excludable statutory warranties in Australia or New Zealand. All warranties are subject to the conditions set out in the warranty card accompanying the product when purchased.

#### ELECTROLUX HOME PRODUCTS AUSTRALIA

telephone: 1300 363 640

fax: 1800 350 067

email: [customercare@electrolux.com.au](mailto:customercare@electrolux.com.au)

web: [www.electrolux.com.au](http://www.electrolux.com.au)

#### ELECTROLUX HOME PRODUCTS NEW ZEALAND

telephone: 09 573 2230

fax: 09 573 2221

email: [customercare@electrolux.co.nz](mailto:customercare@electrolux.co.nz)

web: [www.electrolux.co.nz](http://www.electrolux.co.nz)