

44L black 25 function compact combination microwave oven with 90 assisted cooking programs, CookSmart TFT touchscreen and included food probe



Product Details

FEATURES

Convection, microwave, grill and combination cooking mode

1000W power

Food probe
Smart food probe monitors the core temperature of food to keep meat succulent and juicy.

90 assisted cooking programs

Triple glazed oven door

Soft close door

BENEFITS

3 YEAR WARRANTY

Because peace of mind should last as long as great design, this product has three years of trusted Electrolux support.

*Available for purchases after 1 March 2026.

DELICIOUS DISHES. FASTER.

CombiQuick cooks food much faster than standard ovens, without compromising on flavour. By combining convection oven functions with the grill and microwave, you can serve delicious meals no matter how much time you have.

COOKING GUIDANCE AT A TOUCH

The CookSmart Touch display effortlessly guides you to perfect cooking results. Cook more efficiently, save your favourite recipes in the app, and send them straight to the oven for simple, smart cooking.

PRECISE COOKING, GREAT RESULTS

The smart food probe monitors the core temperature of your food, while precise sensors alert you when the dish is ready, and stop the oven automatically so the roast stays juicy, just the way you like it.

Specifications

PRODUCT PROFILE

Domestic warranty details (yrs)	3
Type of Oven	compact oven
Oven fuel	electric
Materials/Colour	black
Controls of Oven	CookSmart Touch TFT
Cooling fan	Yes

MAIN OVEN

Gross capacity litres	49
Useable capacity litres	44
Oven function	multifunction
Number of functions	25

DIMENSIONS

PRODUCT DIMENSION

Total height (mm)	456
Total width (mm)	595
Total depth (mm)	571

ELECTRICAL CONNECTION

Connected load KW	3
Maximum current rating (amps)	16
Type of connection	hardwired

MAIN OVEN

Oven Functions	roast,grill,keep warm,defrost,top heat,bottom heat,slow cook,microwave and true fan,microwave and grill,microwave,top+bottom,bread baking,dough proving,plate warming,preserving,microwave and turbo grill ,Dehydrating,microwave and conventional cooking,Hot air,Hot air + top,Hot air + bottom,Hot air, top + bottom,Reheat,Stew,Melt
----------------	------------------------------------------------------------------------------------------------------------------------------------------------------------------------------------------------------------------------------------------------------------------------------------------------------------------------------------------

Oven liner	enamel
------------	--------

Timer functions	acoustic signal,duration,minute minder,Auto off ,End time,Delayed start,Time of day,Time extension,Uptimer
-----------------	------------------------------------------------------------------------------------------------------------

Light wattage	25
---------------	----

OTHER FEATURES

Number of Programmed functions	90
--------------------------------	----

Auto cook programs	Yes
--------------------	-----

Door	drop down,Soft close
------	----------------------

Timer	Fully programmable touch control timer
-------	----------------------------------------

Lights	1
--------	---

SHIPPING

Shipping Volume (m3)	0.236
----------------------	-------

Shipping Weight (Kg)	35
----------------------	----

Pack Dimensions Height (mm)	555
-----------------------------	-----

Pack Dimension Width (mm)	635
---------------------------	-----

Pack Dimension Depth (mm)	670
---------------------------	-----

OTHER FEATURES

Light wattage	25
---------------	----

Light position	top
----------------	-----

Shelf support	side rack
---------------	-----------

Safety features	child button lock, Triple glazed door
-----------------	---------------------------------------

Closed door grilling	Yes
----------------------	-----

Included accessories	Smart food probe, dripping pan, cake tray, Chromed wire shelf
----------------------	---------------------------------------------------------------

Layers of glass in door	3
-------------------------	---

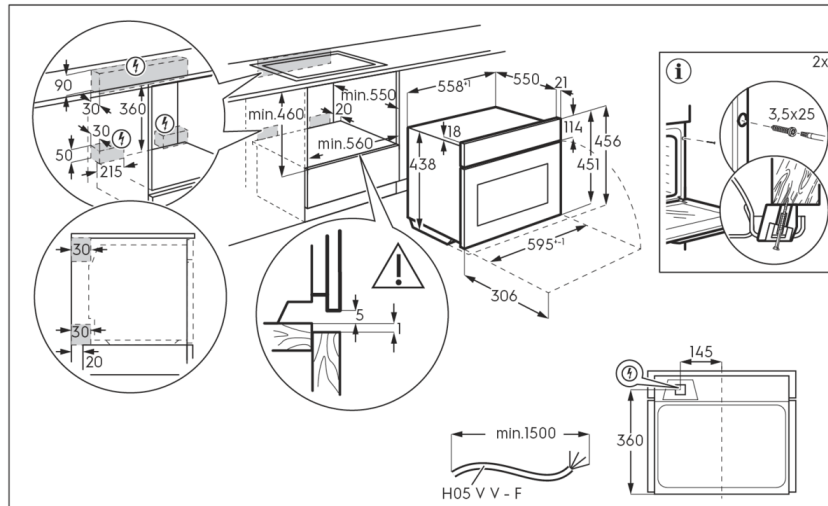
Number of shelf positions	3
---------------------------	---

Food probe	Yes
------------	-----

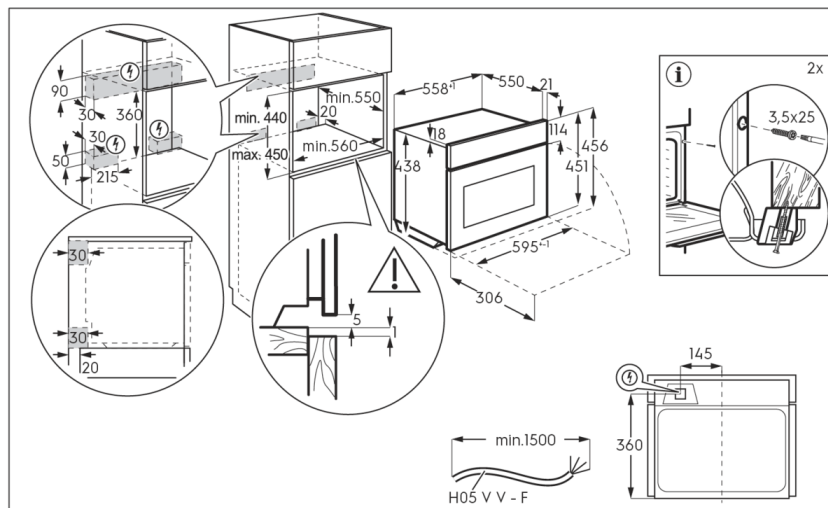
Dimensions

Model:
EVEM6847ZB

Underbench



Cabinet



Terms and Conditions

IMPORTANT

This is a guide of product dimensions only. For complete installation instructions, refer to the manual provided with product.

PRODUCT INFORMATION

The descriptors and illustrations in this publication apply to the specific products and models described as at the date of issue. Under our policy of continuous product development, product specifications may change without notice. Prospective purchasers should therefore check with their retailer to ensure this publication correctly describes the products that are being offered for sale. All information supplied is to be used for general reference purposes only and is on the understanding that Electrolux Home Products Pty Ltd (Australia) and Electrolux (NZ) Ltd (New Zealand) will not be liable for any loss, liability or damage of whatever kind arising as a result of reliance on such information. Colours of products illustrated are as close as printing limitations allow. Electrolux will at all times comply with its obligations pursuant to law including Trade Practices (Australian Consumer Law) Act and Regulations.

WARRANTY

This warranty only applies to Appliances purchased and used in Australia or New Zealand and used in normal domestic applications and is in addition to (and does not exclude, restrict, or modify in any way) any non-excludable statutory warranties in Australia or New Zealand. All warranties are subject to the conditions set out in the warranty card accompanying the product when purchased.

ELECTROLUX HOME PRODUCTS AUSTRALIA

telephone: 1300 363 640

fax: 1800 350 067

email: customercare@electrolux.com.au

web: www.electrolux.com.au

ELECTROLUX HOME PRODUCTS NEW ZEALAND

telephone: 09 573 2230

fax: 09 573 2221

email: customercare@electrolux.co.nz

web: www.electrolux.co.nz