

**60cm Dark stainless steel 9 multifunction oven with SteamBake, pyrolytic cleaning, knob controls and full extension telescopic runners.**



## Product Details

### FEATURES

---

#### SteamBake

Add SteamBake to your repertoire to enjoy fluffy, yet crisp home-baked goodies.

#### Pyrolytic self-cleaning oven

#### FullFlex Telescopic Runners

#### SoftMove

---

#### Easy glide side racks

#### Quadruple glazed doors

#### Removable door

#### 80L gross capacity oven

---

### BENEFITS

---

#### NEXT-LEVEL BAKING WITH STEAM

With SteamBake, you can create bakery-style bread in your own home. The added steam allows dough to rise more effectively than conventional heating. The steam helps to create an exquisitely soft centre, while the combination of hot air delivers deliciously glossy crusts.

#### NO NEED FOR ELBOW GREASE

High temperature pyrolytic cleaning burns away oven grease and grime for easy cleaning, without any need for water or chemicals. Simply set the pyro program and wipe the oven clean afterwards. The oven door is also quadruple-glazed to reduce the temperature of the door during cleaning.

---

#### ACCESS ALL AREAS WITH EASE

Telescopic runners make it easy for you to slide trays in and out of the oven. This provides safe, effortless access, making it easier to baste during cooking or check on how a dish is coming along. The runners also make light work of lifting and removing hot trays or heavy dishes.

#### GENTLY OPENS. QUIETLY CLOSES.

The SoftMove door allows for an efficient and pleasant interaction with your oven. The door will maintain an angled open position if needed and will close softly and quietly with a gentle push.

---

#### EASY OVEN DOOR REMOVAL

No more trying to scrub your ovens hard-to-reach places. With one flick of the hinges the door frame can be easily slid out. Once removed, the glass panels can be detached from the frame, making it easy to clean the whole surface of the door.

---

## Specifications

### PRODUCT PROFILE

---

Domestic warranty details (yrs)	2
Type of Oven	single pyrolytic oven
Oven fuel	electric
Materials/Colour	black,Dark stainless steel
Controls of Oven	retractable control knobs
Cooling fan	Yes

---

### FLUSH FIT CUT OUT

---

Flush fit cut out height (mm)	600
Flush fit cut out width (mm)	600
Flush fit cut out depth (mm)	581

---

### DIMENSIONS

---

#### PRODUCT DIMENSION

---

Total height (mm)	597
Total width (mm)	596
Total depth (mm)	572

---

### MAIN OVEN

---

Gross capacity litres	80
Useable capacity litres	72
Oven function	multifunction
Number of functions	9
Oven Functions	fan cooking,traditional bake,pizza,pastry,cook from frozen,full grill,grill,fan grill,pyro clean ,SteamBake

---

## ELECTRICAL CONNECTION

Connected load KW	3.1
Maximum current rating (amps)	12.9
Type of connection	hardwired

## MAIN OVEN

Oven liner	pyrolux high temperature enamel
Timer functions	acoustic signal,duration,minute minder,Countdown,End time,Delayed start,Time of day

## OTHER FEATURES

Pyrolytic functions	3
Type of Pyrolytic functions	pyrolytic light clean,pyrolytic medium clean,pyrolytic heavy clean
Door	removable door,removable inner glass panes,Soft close
Timer	Fully programmable touch control timer
Lights	2
Light wattage	25
Light position	side and rear
Telescopic runners	one
Shelf support	Easy glide side racks
Number of shelves	2

**OTHER FEATURES**

---

Closed door grilling	Yes
----------------------	-----

---

Fold down grill element	Yes
-------------------------	-----

---

Included accessories	grill/oven pan,telescopic runner x 1,baking tray,side racks,2 x wire shelves,pan carrier
----------------------	------------------------------------------------------------------------------------------

---

Layers of glass in door	4
-------------------------	---

---

Number of shelf positions	5
---------------------------	---

---

Food probe	No
------------	----

---

**SHIPPING**

---

Shipping Volume (m3)	0.283
----------------------	-------

---

Shipping Weight (Kg)	44.5
----------------------	------

---

Pack Dimensions Height (mm)	665
-----------------------------	-----

---

Pack Dimension Width (mm)	635
---------------------------	-----

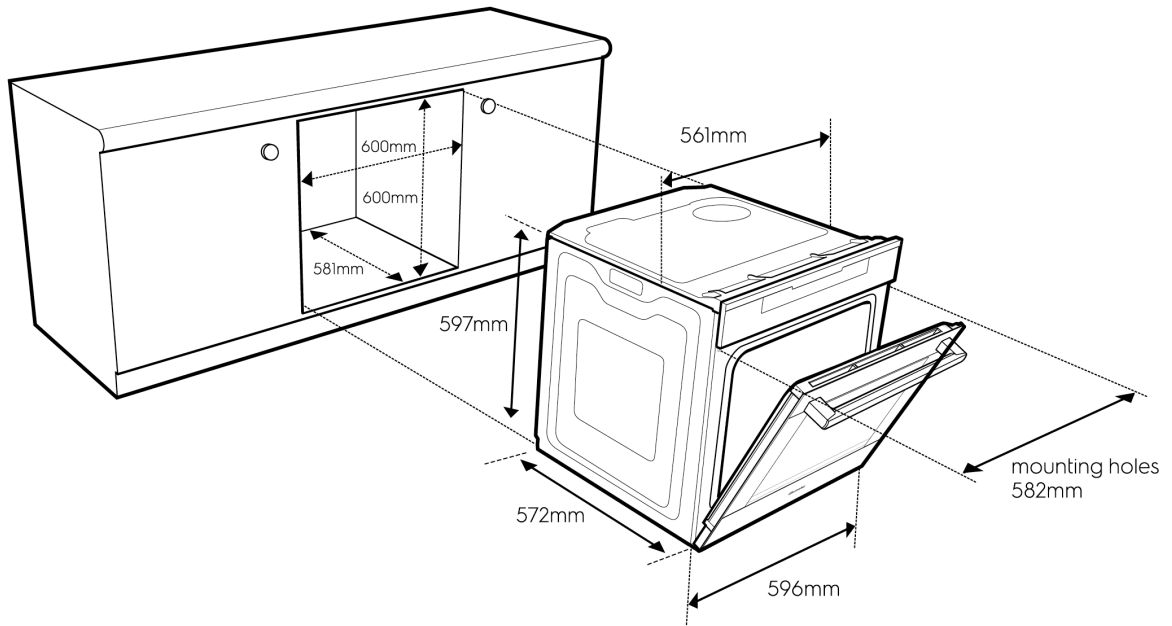
---

Pack Dimension Depth (mm)	670
---------------------------	-----

---

## Dimensions

**Model:**  
EVEP614DSE



© 2021 Electrolux S.E.A PTE. LTD. E\_DIM\_EVEP614DSE\_Sep21

## Terms and Conditions

### IMPORTANT

This is a guide of product dimensions only. For complete installation instructions, refer to the manual provided with product.

### PRODUCT INFORMATION

The descriptors and illustrations in this publication apply to the specific products and models described as at the date of issue. Under our policy of continuous product development, product specifications may change without notice. Prospective purchasers should therefore check with their retailer to ensure this publication correctly describes the products that are being offered for sale. All information supplied is to be used for general reference purposes only and is on the understanding that Electrolux Home Products Pty Ltd (Australia) and Electrolux (NZ) Ltd (New Zealand) will not be liable for any loss, liability or damage of whatever kind arising as a result of reliance on such information. Colours of products illustrated are as close as printing limitations allow. Electrolux will at all times comply with its obligations pursuant to law including Trade Practices (Australian Consumer Law) Act and Regulations.

### WARRANTY

This warranty only applies to Appliances purchased and used in Australia or New Zealand and used in normal domestic applications and is in addition to (and does not exclude, restrict, or modify in any way) any non-excludable statutory warranties in Australia or New Zealand. All warranties are subject to the conditions set out in the warranty card accompanying the product when purchased.

#### ELECTROLUX HOME PRODUCTS AUSTRALIA

telephone: 1300 363 640

fax: 1800 350 067

email: [customercare@electrolux.com.au](mailto:customercare@electrolux.com.au)

web: [www.electrolux.com.au](http://www.electrolux.com.au)

#### ELECTROLUX HOME PRODUCTS NEW ZEALAND

telephone: 09 573 2230

fax: 09 573 2221

email: [customercare@electrolux.co.nz](mailto:customercare@electrolux.co.nz)

web: [www.electrolux.co.nz](http://www.electrolux.co.nz)