

**Black 60cm steam and pyrolytic multifunction 16 oven with Intuitive Oven Interface control system and telescopic runners**



## Product Details

### FEATURES

---

Excellence with steam

Healthier cooking with  
MaxiSteam

Pyrolytic self-cleaning oven

IOI makes cooking easy

---

Elegant and effective oven  
display

80L gross capacity oven

---

### BENEFITS

---

Excellence with steam

Steam combined with traditional hot air cooking makes good food great. The colours are richer, the food more moist and flavoursome, and your guests more satisfied.

Healthier cooking with MaxiSteam

Discover the ultimate in healthy and tastier cooking with MaxiSteam. Using this 100% full steam mode captures all of the natural flavours, colours and vitamins in your food. Perfect for vegetables and seafood.

---

Pyrolytic self-cleaning oven

Introducing an oven that cleans itself. Pyrolytic cleaning removes the need for you to use harsh chemicals to clean your oven. Simply set the Pyrolytic function, come back when it is complete and wipe away the residue.

IOI makes cooking easy

Experience a simpler, more enjoyable way to cook. Our unique Intuitive Oven Interface (IOI) makes our ovens so easy to use you won't need a manual. Plus the elegant full colour screen displays temperature and function feedback so you can easily program and check your cooking for impressive results without the extra effort.

---

Elegant and effective oven display

Elegant and stylish, the full colour screen displays temperature and function feedback. The high definition full colour animation clearly shows the oven's status and proves that functional design can be beautiful too. What's more, the Black oven range has a full black front when powered off. Yet, with just one touch from your finger, the oven display will come to life and be ready to create your next delicious meal.

Huge 80L gross capacity oven

Designed for the entertainer and large families, this large capacity 80-litre oven will make catering for every occasion quick and easy. Plus, energy use is also kept to a minimum, despite its size.

---

#### Cooler touch door

For added safety and confidence in the kitchen, the cooler touch door features an innovative door cooling system with multiple glazed door panels. The door design minimises heat being transferred outside the oven, while ensuring a cooler touch oven door and cooler kitchen environment.

---

## Specifications

### PRODUCT PROFILE

---

Domestic warranty details (yrs)	2
Type of Oven	single steam & pyrolytic oven
Oven fuel	electric
Materials/Colour	mark resistant stainless steel,black ceramic glass
Controls of Oven	IOI,touch
Cooling fan	Yes

---

### FLUSH FIT CUT OUT

---

Flush fit cut out height (mm)	600
Flush fit cut out width (mm)	600
Flush fit cut out depth (mm)	581

---

### DIMENSIONS

---

#### PRODUCT DIMENSION

---

Total height (mm)	597
Total width (mm)	596
Total depth (mm)	573

---

### MAIN OVEN

---

Gross capacity litres	80
Useable capacity litres	72
Oven function	multifunction
Number of functions	16

---

## MAIN OVEN

---

Oven Functions	traditional bake,roast,pizza,cook from frozen,full grill,fan grill,keep warm,defrost,pyroluxe,steam cooking,fan cooking,fan assist bake,pastry,Half grill,bread baking,steam reheating
----------------	--

---

Oven liner	pyrolux high temperature enamel
------------	---------------------------------

---

Timer functions	acoustic signal,duration,end,minute minder,oven start,stop,Countdown
-----------------	--

---

## ELECTRICAL CONNECTION

---

Connected load KW	3.1
-------------------	-----

---

Maximum current rating (amps)	12.9
-------------------------------	------

---

Type of connection	electrical cord
--------------------	-----------------

---

Minimum Fuse rating (amps)	16
----------------------------	----

---

## OTHER FEATURES

---

Cleaning	pyrolytic
----------	-----------

---

Pyrolytic functions	3
---------------------	---

---

Type of Pyrolytic functions	pyrolytic light clean,pyrolytic medium clean,pyrolytic heavy clean
-----------------------------	--

---

Door	removable door,cool door,removable inner glass panes
------	--

---

Timer	Fully programmable touch control timer
-------	--

---

Lights	1
--------	---

---

Light wattage	25
---------------	----

---

Light position	rear
----------------	------

---

## OTHER FEATURES

---

Telescopic runners	two
--------------------	-----

---

Shelf support	side rack
---------------	-----------

---

Number of shelves	2
-------------------	---

---

Safety features	cool door
-----------------	-----------

---

Closed door grilling	Yes
----------------------	-----

---

Fold down grill element	Yes
-------------------------	-----

---

Included accessories	baking tray,split anti splatter grill insert,2 x chromed wire shelf,roasting dish,roasting rack,telescopic runners,side racks
----------------------	---

---

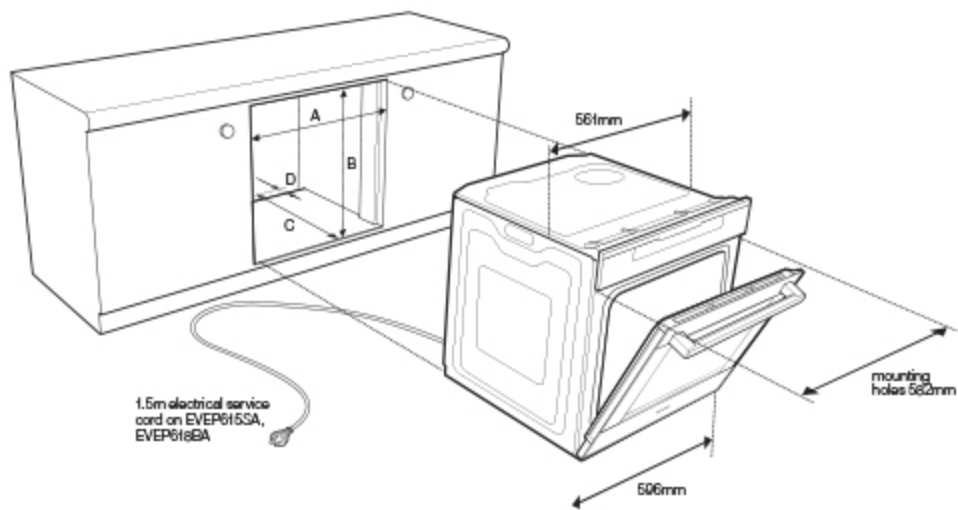
Layers of glass in door	4
-------------------------	---

---

Number of shelf positions	8
---------------------------	---

---

## Dimensions



## Terms and Conditions

### IMPORTANT

This is a guide of product dimensions only. For complete installation instructions, refer to the manual provided with product.

### PRODUCT INFORMATION

The descriptors and illustrations in this publication apply to the specific products and models described as at the date of issue. Under our policy of continuous product development, product specifications may change without notice. Prospective purchasers should therefore check with their retailer to ensure this publication correctly describes the products that are being offered for sale. All information supplied is to be used for general reference purposes only and is on the understanding that Electrolux Home Products Pty Ltd (Australia) and Electrolux (NZ) Ltd (New Zealand) will not be liable for any loss, liability or damage of whatever kind arising as a result of reliance on such information. Colours of products illustrated are as close as printing limitations allow. Electrolux will at all times comply with its obligations pursuant to law including Trade Practices (Australian Consumer Law) Act and Regulations.

### WARRANTY

This warranty only applies to Appliances purchased and used in Australia or New Zealand and used in normal domestic applications and is in addition to (and does not exclude, restrict, or modify in any way) any non-excludable statutory warranties in Australia or New Zealand. All warranties are subject to the conditions set out in the warranty card accompanying the product when purchased.

#### ELECTROLUX HOME PRODUCTS AUSTRALIA

telephone: 1300 363 640

fax: 1800 350 067

email: [customercare@electrolux.com.au](mailto:customercare@electrolux.com.au)

web: [www.electrolux.com.au](http://www.electrolux.com.au)

#### ELECTROLUX HOME PRODUCTS NEW ZEALAND

telephone: 09 573 2230

fax: 09 573 2221

email: [customercare@electrolux.co.nz](mailto:customercare@electrolux.co.nz)

web: [www.electrolux.co.nz](http://www.electrolux.co.nz)