

60cm Dark stainless steel 16 multifunction steam oven with pyrolytic cleaning, Intuitive Oven Interface and Smart Food Probe.



Product Details

FEATURES

| | | | |
|-----------------------------|--|-------------------------|------------------------------|
| FullTaste steam cooking | Intuitive Oven Interface (IOI) | Smart Food Probe | Pyrolytic self-cleaning oven |
| FullFlex Telescopic Runners | Surround lighting for better illumination Keeping an eye on your delicious food couldn't be simpler, with halogen lights embedded in the front and back to illuminate the oven. | Soft close door | Easy glide side racks |
| Quadruple glazed doors | 16 oven functions | 80L gross capacity oven | |

BENEFITS

For delicious taste, just add steam
Our advanced steam functions ensure you cook with just the right balance of steam and heat. The added moisture conducts heat faster so you will discover colours are richer, skins are crispier and textures are more tender and juicy.

Say hello to intuitive control
Cooking should be fun, not complicated. Our Intuitive Oven Interface (IOI) gives you a simpler and more enjoyable way to cook. You won't even need a manual.

The perfect result, every time
The Smart Food Probe ensures your dishes are delicious every time. The food probe alerts you when food reaches the desired core temperature and switches the oven off so you get the perfect result.

Love your cooking. We'll clean up.
Now you can unleash your creative skills in the kitchen, without worrying about the mess. Just set the pyrolytic function, come back when it's finished and wipe away the residue, without hard scrubbing or exposure to harsh chemicals.

Smooth operator
Our fully extendable telescopic runners give you safe, effortless access to all areas of your oven. This makes it simple to turn, baste and check on your food for delicious results every time.

Specifications

PRODUCT PROFILE

| | |
|---------------------------------|-------------------------------|
| Domestic warranty details (yrs) | 2 |
| Type of Oven | single steam & pyrolytic oven |
| Oven fuel | electric |
| Materials/Colour | Dark stainless steel,black |
| Controls of Oven | IOI,touch |
| Cooling fan | Yes |

FLUSH FIT CUT OUT

| | |
|-------------------------------|-----|
| Flush fit cut out height (mm) | 600 |
| Flush fit cut out width (mm) | 600 |
| Flush fit cut out depth (mm) | 581 |

DIMENSIONS

PRODUCT DIMENSION

| | |
|-------------------|-----|
| Total height (mm) | 597 |
| Total width (mm) | 596 |
| Total depth (mm) | 572 |

MAIN OVEN

| | |
|-------------------------|---------------|
| Gross capacity litres | 80 |
| Useable capacity litres | 72 |
| Oven function | multifunction |
| Number of functions | 16 |

MAIN OVEN

| | |
|----------------|---|
| Oven Functions | traditional bake,roast,pizza,cook from frozen,full grill,fan grill,keep warm,defrost,steam cooking,fan cooking,pastry,bread baking,steam reheating,rapid heat,pyro clean ,grill,Plus steam,rapid heat |
|----------------|---|

| | |
|------------|---------------------------------|
| Oven liner | pyrolux high temperature enamel |
|------------|---------------------------------|

| | |
|-----------------|---|
| Timer functions | acoustic signal,duration,minute minder,Countdown,End time,Delayed start,Time of day |
|-----------------|---|

ELECTRICAL CONNECTION

| | |
|-------------------|-----|
| Connected load KW | 3.1 |
|-------------------|-----|

| | |
|-------------------------------|------|
| Maximum current rating (amps) | 12.9 |
|-------------------------------|------|

| | |
|--------------------|-----------|
| Type of connection | hardwired |
|--------------------|-----------|

| | |
|----------------------------|----|
| Minimum Fuse rating (amps) | 16 |
|----------------------------|----|

OTHER FEATURES

| | |
|----------|-----------|
| Cleaning | pyrolytic |
|----------|-----------|

| | |
|---------------------|---|
| Pyrolytic functions | 3 |
|---------------------|---|

| | |
|-----------------------------|--|
| Type of Pyrolytic functions | pyrolytic light clean,pyrolytic medium clean,pyrolytic heavy clean |
|-----------------------------|--|

| | |
|------|---|
| Door | removable door,removable inner glass panes,Soft close |
|------|---|

| | |
|-------|--|
| Timer | Fully programmable touch control timer |
|-------|--|

| | |
|--------|---|
| Lights | 3 |
|--------|---|

| | |
|---------------|----|
| Light wattage | 25 |
|---------------|----|

OTHER FEATURES

| | |
|----------------|---------------|
| Light position | side and rear |
|----------------|---------------|

| | |
|--------------------|-----|
| Telescopic runners | two |
|--------------------|-----|

| | |
|---------------|-----------------------|
| Shelf support | Easy glide side racks |
|---------------|-----------------------|

| | |
|-------------------|---|
| Number of shelves | 3 |
|-------------------|---|

| | |
|-----------------|-------------------|
| Safety features | child button lock |
|-----------------|-------------------|

| | |
|----------------------|-----|
| Closed door grilling | Yes |
|----------------------|-----|

| | |
|-------------------------|-----|
| Fold down grill element | Yes |
|-------------------------|-----|

| | |
|----------------------|---|
| Included accessories | baking tray,2 x chromed wire shelf,side racks,grill/oven pan,Smart food probe,cast baking dish,telescopic runners (1 set) |
|----------------------|---|

| | |
|-------------------------|---|
| Layers of glass in door | 4 |
|-------------------------|---|

| | |
|---------------------------|---|
| Number of shelf positions | 5 |
|---------------------------|---|

| | |
|------------|-----|
| Food probe | Yes |
|------------|-----|

SHIPPING

| | |
|----------------------|------|
| Shipping Volume (m3) | 0.28 |
|----------------------|------|

| | |
|----------------------|------|
| Shipping Weight (Kg) | 48.0 |
|----------------------|------|

STUFFING QUANTITIES

| | |
|------|-----|
| 40ft | 153 |
|------|-----|

SHIPPING

| | |
|--------------------------------|-----|
| Pack Dimensions Height (mm) | 665 |
|--------------------------------|-----|

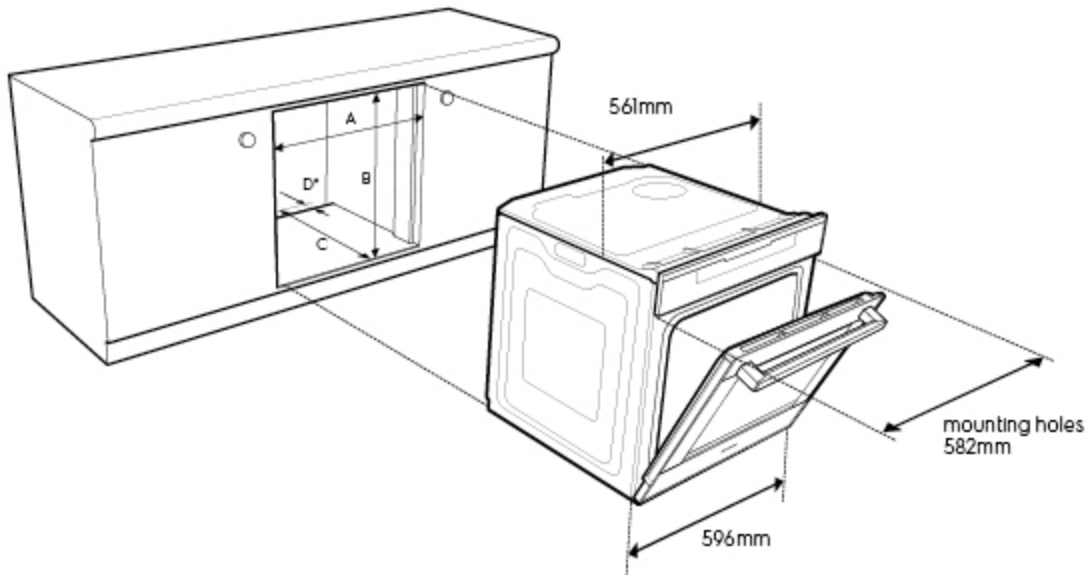
| | |
|------------------------------|-----|
| Pack Dimension Width (mm) | 635 |
|------------------------------|-----|

| | |
|------------------------------|-----|
| Pack Dimension Depth (mm) | 670 |
|------------------------------|-----|

| | |
|------------------------------------|-------|
| Total shelf area (m ²) | 42.55 |
|------------------------------------|-------|

Dimensions

Models:
 EVEP614SD
 EVEP614DSD
 EVEP616DSD
 EVEP618DSD



Pyrolytic cut-out dimensions

| Type of fit | A (width) | B (height) | C (depth) | D* |
|----------------|-----------|------------|-----------|----|
| Flush fit (mm) | 600 | 600 | 581 min. | 20 |

Please note! Dimensions to be used as a guide only. All customers MUST refer to the user manual supplied with the product for detailed installation instructions.

*** D - Dimension**

For proper ventilation there must be a gap at the bottom rear of the cabinet. This can be a slot 20mm deep or an equivalent, full width opening (e.g. a series of holes) with a min area of 120cm². The opening must be clear of the product when fully installed. This is a requirement on any EVEFxxxx model. Power point connection for the EVEP618SD must be accessible with the appliance fully installed. If the supply cord is damaged it must be replaced by the manufacturer, its service agent or similarly qualified persons in order to avoid a hazard.

Terms and Conditions

IMPORTANT

This is a guide of product dimensions only. For complete installation instructions, refer to the manual provided with product.

PRODUCT INFORMATION

The descriptors and illustrations in this publication apply to the specific products and models described as at the date of issue. Under our policy of continuous product development, product specifications may change without notice. Prospective purchasers should therefore check with their retailer to ensure this publication correctly describes the products that are being offered for sale. All information supplied is to be used for general reference purposes only and is on the understanding that Electrolux Home Products Pty Ltd (Australia) and Electrolux (NZ) Ltd (New Zealand) will not be liable for any loss, liability or damage of whatever kind arising as a result of reliance on such information. Colours of products illustrated are as close as printing limitations allow. Electrolux will at all times comply with its obligations pursuant to law including Trade Practices (Australian Consumer Law) Act and Regulations.

WARRANTY

This warranty only applies to Appliances purchased and used in Australia or New Zealand and used in normal domestic applications and is in addition to (and does not exclude, restrict, or modify in any way) any non-excludable statutory warranties in Australia or New Zealand. All warranties are subject to the conditions set out in the warranty card accompanying the product when purchased.

ELECTROLUX HOME PRODUCTS AUSTRALIA

telephone: 1300 363 640

fax: 1800 350 067

email: customercare@electrolux.com.au

web: www.electrolux.com.au

ELECTROLUX HOME PRODUCTS NEW ZEALAND

telephone: 09 573 2230

fax: 09 573 2221

email: customercare@electrolux.co.nz

web: www.electrolux.co.nz