

**60cm Multifunction 16 steam oven. Pyrolux pyrolytic cleaning and IOI (Intuitive Oven Interface)
Features Smart Food Probe, FullFlex telescopic slide and soft close door and cast baking dish**



Product Details

FEATURES

Unique IOI™ technology* – no manuals required

IOI makes cooking easy

Elegant and effective oven display

80L gross capacity oven

Excellence with steam

Smart Food Probe

Pyrolytic self-cleaning oven

FullFlex Telescopic Runners

Soft close door

BENEFITS

IOI makes cooking easy

Experience a simpler, more enjoyable way to cook. Our unique Intuitive Oven Interface (IOI) makes our ovens so easy to use you won't need a manual. Plus the elegant full colour screen displays temperature and function feedback so you can easily program and check your cooking for impressive results without the extra effort.

Elegant and effective oven display

Elegant and stylish, the full colour screen displays temperature and function feedback. The high definition full colour animation clearly shows the oven's status and proves that functional design can be beautiful too. What's more, the Black oven range has a full black front when powered off. Yet, with just one touch from your finger, the oven display will come to life and be ready to create your next delicious meal.

Huge 80L gross capacity oven

Designed for the entertainer and large families, this large capacity 80-litre oven will make catering for every occasion quick and easy. Plus, energy use is also kept to a minimum, despite its size.

Excellence with steam

Steam combined with traditional hot air cooking makes good food great. The colours are richer, the food more moist and flavoursome, and your guests more satisfied.

Smart Food Probe

Never overcook a roast again. The convenient Smart Food Probe measures the core temperature of food and switches off the oven when it's ready.

Pyrolytic self-cleaning oven

Introducing an oven that cleans itself. Pyrolytic cleaning removes the need for you to use harsh chemicals to clean your oven. Simply set the Pyrolytic function, come back when it is complete and wipe away the residue.

FullFlex Telescopic Runners

Our FullFlex telescopic runners give you safe, easy access all areas of your oven. This makes it easier to turn and stir your food for great results every time.

Cooler touch door

For added safety and confidence in the kitchen, the cooler touch door features an innovative door cooling system with multiple glazed door panels. The door design minimises heat being transferred outside the oven, while ensuring a cooler touch oven door and cooler kitchen environment.

Specifications

PRODUCT PROFILE

Domestic warranty details (yrs)	2
Type of Oven	single steam & pyrolytic oven
Oven fuel	electric
Materials/Colour	mark resistant stainless steel,black
Controls of Oven	IOI,touch
Cooling fan	Yes

FLUSH FIT CUT OUT

Flush fit cut out height (mm)	600
Flush fit cut out width (mm)	600
Flush fit cut out depth (mm)	581

DIMENSIONS

PRODUCT DIMENSION

Total height (mm)	597
Total width (mm)	596
Total depth (mm)	573

MAIN OVEN

Gross capacity litres	80
Useable capacity litres	72
Oven function	multifunction
Number of functions	15

MAIN OVEN

Oven Functions	traditional bake,roast,pizza,cook from frozen,full grill,fan grill,keep warm,defrost,steam cooking,fan cooking,pastry,Half grill,bread baking,steam reheating,rapid heat,base heat,pyro clean ,steam cooking
----------------	--

Oven liner	pyrolux high temperature enamel
------------	---------------------------------

Timer functions	acoustic signal,duration,end,minute minder,oven start,stop,Countdown
-----------------	--

ELECTRICAL CONNECTION

Connected load KW	3.5
-------------------	-----

Maximum current rating (amps)	12.9
-------------------------------	------

Type of connection	electrical cord
--------------------	-----------------

Minimum Fuse rating (amps)	16
----------------------------	----

OTHER FEATURES

Cleaning	pyrolytic
----------	-----------

Pyrolytic functions	3
---------------------	---

Type of Pyrolytic functions	pyrolytic light clean,pyrolytic medium clean,pyrolytic heavy clean
-----------------------------	--

Door	removable door,cool door,removable inner glass panes
------	--

Timer	Fully programmable touch control timer
-------	--

Lights	1
--------	---

Light wattage	25
---------------	----

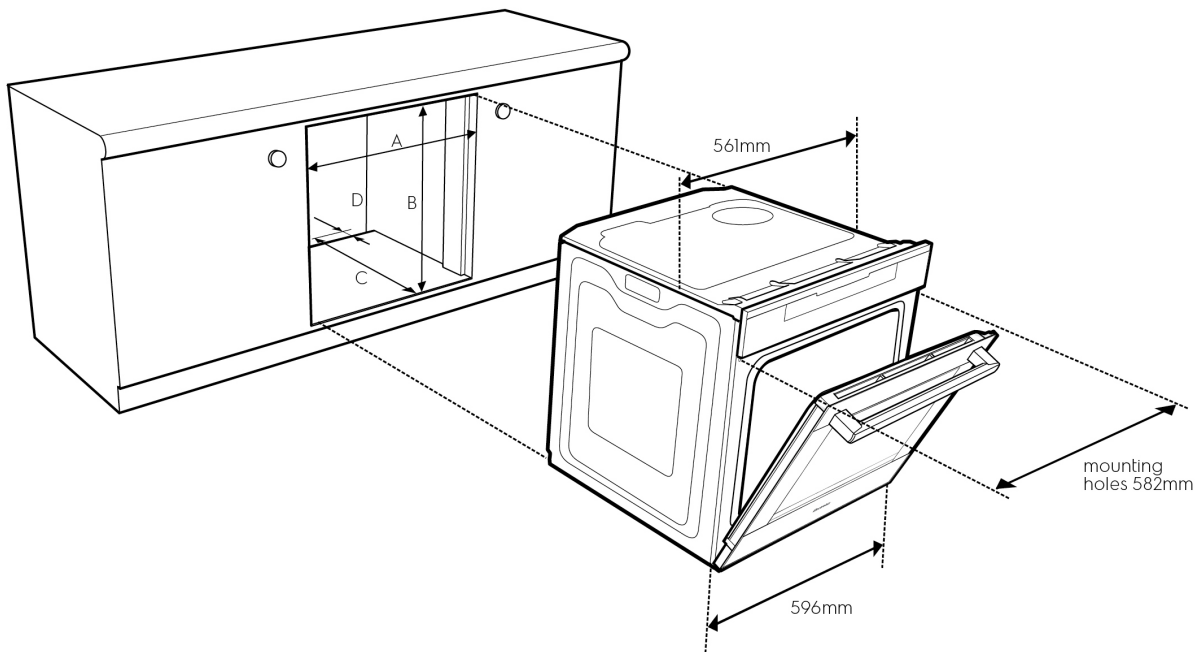
OTHER FEATURES

Light position	rear
Telescopic runners	one
Shelf support	side rack
Number of shelves	2
Safety features	cool door
Closed door grilling	Yes
Fold down grill element	Yes
Included accessories	baking tray, 2 x chromed wire shelf, side racks, anti splatter grill insert, grill/oven pan, Smart food probe, cast baking dish, telescopic runners (1 set)
Layers of glass in door	4
Number of shelf positions	7

Dimensions

Pyrolytic underbench cut-out dimensions

Type of fit	A (width)	B (height)	C (depth)	D*
Flush fit (mm)	600	600	581 min.	20



Terms and Conditions

IMPORTANT

This is a guide of product dimensions only. For complete installation instructions, refer to the manual provided with product.

PRODUCT INFORMATION

The descriptors and illustrations in this publication apply to the specific products and models described as at the date of issue. Under our policy of continuous product development, product specifications may change without notice. Prospective purchasers should therefore check with their retailer to ensure this publication correctly describes the products that are being offered for sale. All information supplied is to be used for general reference purposes only and is on the understanding that Electrolux Home Products Pty Ltd (Australia) and Electrolux (NZ) Ltd (New Zealand) will not be liable for any loss, liability or damage of whatever kind arising as a result of reliance on such information. Colours of products illustrated are as close as printing limitations allow. Electrolux will at all times comply with its obligations pursuant to law including Trade Practices (Australian Consumer Law) Act and Regulations.

WARRANTY

This warranty only applies to Appliances purchased and used in Australia or New Zealand and used in normal domestic applications and is in addition to (and does not exclude, restrict, or modify in any way) any non-excludable statutory warranties in Australia or New Zealand. All warranties are subject to the conditions set out in the warranty card accompanying the product when purchased.

ELECTROLUX HOME PRODUCTS AUSTRALIA

telephone: 1300 363 640

fax: 1800 350 067

email: customercare@electrolux.com.au

web: www.electrolux.com.au

ELECTROLUX HOME PRODUCTS NEW ZEALAND

telephone: 09 573 2230

fax: 09 573 2221

email: customercare@electrolux.co.nz

web: www.electrolux.co.nz