

60cm Dark stainless steel 17/7 multifunction duo oven with SteamBake, pyrolytic cleaning in both ovens, AirFryPlus, TFT touchscreen and Smart Food Probe.



Product Details

FEATURES

SteamBake

Add SteamBake to your repertoire to enjoy fluffy, yet crisp home-baked goodies.

AirFryPlus

Colour TFT display

Smart Food Probe

Pyrolytic self-cleaning in top and bottom oven

Auto programs

FullFlex Telescopic Runners

Easy glide side racks

Slow cooking and dough proving function

SoftMove

Large 80L/46L oven capacity

BENEFITS

NEXT-LEVEL BAKING WITH STEAM

With SteamBake, you can create bakery-style bread in your own home. The added steam allows dough to rise more effectively than conventional heating. The steam helps to create an exquisitely soft centre, while the combination of hot air delivers deliciously glossy crusts.

DELICIOUS FRYING WITH MINIMAL OIL

The mesh design of the Air Fry Plus tray allows super-heated air to crisp the surface of food to deliver a mouth-watering fried taste and texture with little to no oil. Steam is added during the cooking process to help retain moisture inside the food, whilst the outside becomes deliciously crisp and golden.

PRECISE COOKING, GREAT RESULTS

Whether you're broiling beef or roasting chicken, the food probe helps you to achieve delicious results, time after time. By monitoring the core temperature of the food during the cooking process, your meats will be cooked to their succulent best. The precise sensor will even let you know when your dishes have been cooked to the desired temperature and automatically stop the process to prevent food from drying out.

NO NEED FOR ELBOW GREASE

High temperature pyrolytic cleaning burns away oven grease and grime for easy cleaning, without any need for water or chemicals. Simply set the pyro program and wipe the oven clean afterwards. The oven door is also quadruple-glazed to reduce the temperature of the door during cleaning.

ACCESS ALL AREAS WITH EASE

Telescopic runners make it easy for you to slide trays in and out of the oven. This provides safe, effortless access, making it easier to baste during cooking or check on how a dish is coming along. The runners also make light work of lifting and removing hot trays or heavy dishes.

PROGRAM FOR PERFECTION

Select from a large range of programs, input the weight or insert the food probe, and let the oven do the rest. Whether you're cooking roast potatoes with crispy skins, tender steaks, succulent roast chicken, or pizza for a crowd, the oven will adjust the cooking function, time and temperature to deliver the best possible results, adding steam whenever necessary.

Specifications

PRODUCT PROFILE

Domestic warranty details (yrs)	2
Type of Oven	duo oven
Oven fuel	electric
Materials/Colour	black,Dark stainless steel
Controls of Oven	TFT touchscreen
Cooling fan	Yes

FLUSH FIT CUT OUT

Flush fit cut out height (mm)	893
Flush fit cut out width (mm)	600
Flush fit cut out depth (mm)	581

DIMENSIONS

PRODUCT DIMENSION

Total height (mm)	890
Total width (mm)	596
Total depth (mm)	572

MAIN OVEN

Gross capacity litres	80
Useable capacity litres	72
Oven function	multifunction
Number of functions	17

MAIN OVEN

Oven Functions	fan cooking, fan assist bake, traditional bake, roast, pizza, pastry, rapid heat, cook from frozen, full grill, grill, fan grill, keep warm, defrost, dough proving, pyro clean, AirFryPlus, SteamBake
----------------	--

Oven liner	pyrolux high temperature enamel
------------	---------------------------------

Timer functions	acoustic signal, duration, minute minder, Countdown, End time, Delayed start, Time of day
-----------------	---

SECOND OVEN OR GRILL

Gross capacity litres	46
-----------------------	----

Useable capacity litres	38
-------------------------	----

Oven functions	multifunction
----------------	---------------

Number of functions	7
---------------------	---

Oven Functions	fan assist bake, traditional bake, pastry, grill, fan grill, keep warm, defrost, pyro clean
----------------	---

Fold down grill element	Yes
-------------------------	-----

Closed door grilling	Yes
----------------------	-----

Cleaning	pyrolytic
----------	-----------

ELECTRICAL CONNECTION

Connected load KW	5.3
-------------------	-----

Maximum current rating (amps)	22.1
----------------------------------	------

Type of connection	hardwired
--------------------	-----------

OTHER FEATURES

Type of Pyrolytic functions	pyrolytic light clean,pyrolytic medium clean,pyrolytic heavy clean
-----------------------------	--

Door	removable door,removable inner glass panes,Soft close
------	---

Timer	Fully programmable touch control timer
-------	--

Lights	4
--------	---

Light wattage	25
---------------	----

Light position	side and rear
----------------	---------------

Telescopic runners	two
--------------------	-----

Shelf support	Easy glide side racks
---------------	-----------------------

Number of shelves	3
-------------------	---

Safety features	child button lock
-----------------	-------------------

Closed door grilling	Yes
----------------------	-----

Fold down grill element	Yes
-------------------------	-----

Included accessories	grill/oven pan,cast baking dish,side racks,2 x telescopic runners,Smart food probe,baking tray,3 x chromed wired shelves,AirFry tray,pan carrier
----------------------	--

SHIPPING

Shipping Volume (m3)	0.408432
----------------------	----------

Shipping Weight (Kg)	81
----------------------	----

Pack Dimensions Height (mm)	960
-----------------------------	-----

Pack Dimension Width (mm)	635
---------------------------	-----

Pack Dimension Depth (mm)	670
---------------------------	-----

OTHER FEATURES

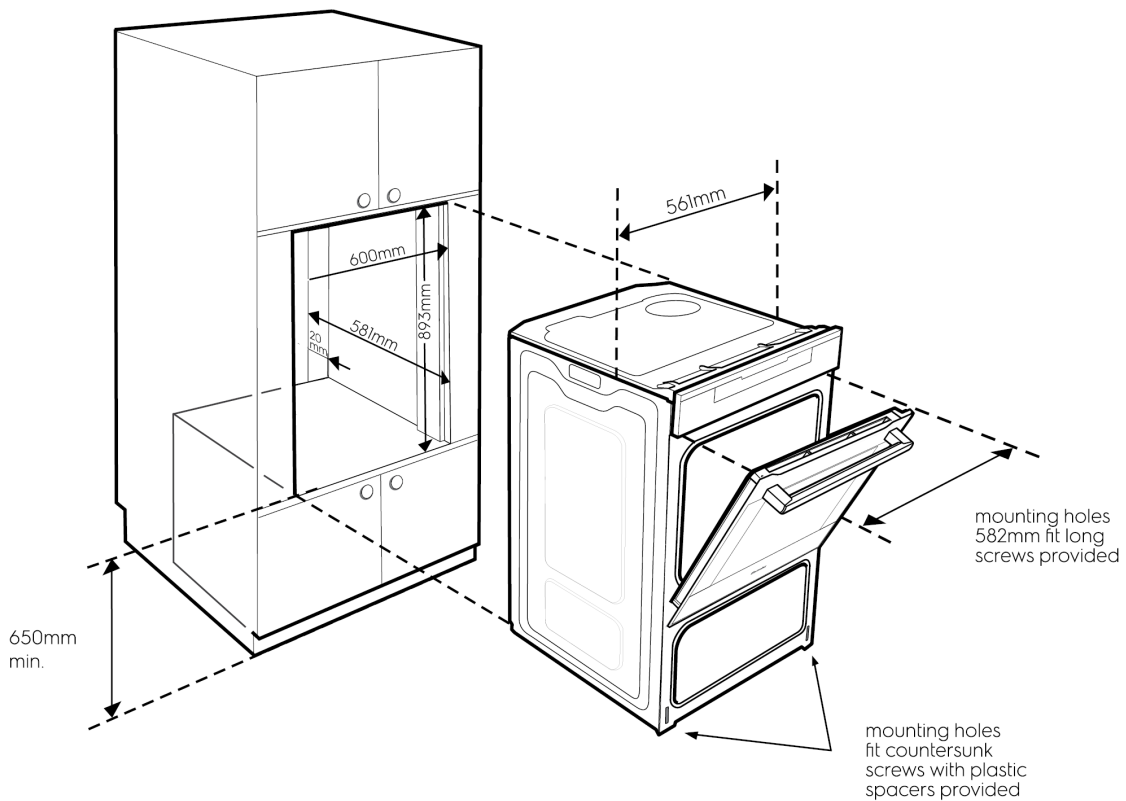
Layers of glass in door 4

Number of shelf positions 8

Food probe Yes

Dimensions

Model:
EVEP626DSE



Terms and Conditions

IMPORTANT

This is a guide of product dimensions only. For complete installation instructions, refer to the manual provided with product.

PRODUCT INFORMATION

The descriptors and illustrations in this publication apply to the specific products and models described as at the date of issue. Under our policy of continuous product development, product specifications may change without notice. Prospective purchasers should therefore check with their retailer to ensure this publication correctly describes the products that are being offered for sale. All information supplied is to be used for general reference purposes only and is on the understanding that Electrolux Home Products Pty Ltd (Australia) and Electrolux (NZ) Ltd (New Zealand) will not be liable for any loss, liability or damage of whatever kind arising as a result of reliance on such information. Colours of products illustrated are as close as printing limitations allow. Electrolux will at all times comply with its obligations pursuant to law including Trade Practices (Australian Consumer Law) Act and Regulations.

WARRANTY

This warranty only applies to Appliances purchased and used in Australia or New Zealand and used in normal domestic applications and is in addition to (and does not exclude, restrict, or modify in any way) any non-excludable statutory warranties in Australia or New Zealand. All warranties are subject to the conditions set out in the warranty card accompanying the product when purchased.

ELECTROLUX HOME PRODUCTS AUSTRALIA

telephone: 1300 363 640

fax: 1800 350 067

email: customercare@electrolux.com.au

web: www.electrolux.com.au

ELECTROLUX HOME PRODUCTS NEW ZEALAND

telephone: 09 573 2230

fax: 09 573 2221

email: customercare@electrolux.co.nz

web: www.electrolux.co.nz