

60cm oven with SteamBake, 10 oven functions, AirFry, pyrolytic self-cleaning and included telescopic runners



Product Details

FEATURES

SteamBake (Light Steam)
A touch of steam for crisper crusts with our inbuilt well

AirFry

Pyrolytic self cleaning

Telescopic runners
Baste during cooking and slide trays in and out of the oven with easy access telescopic runners.

Soft close door

Quadruple glazed oven doors

BENEFITS

3 YEAR WARRANTY

Because peace of mind should last as long as great design, this product has three years of trusted Electrolux support.

*Available for purchases after 1 March 2026.

A TOUCH OF STEAM: THE SECRET TO PERFECT BAKING

Add a touch of steam for artisan style results at home. Add water to our inbuilt well to create steam for golden crusts and soft, airy centres, ideal for bread, pastries, and delicate bakes. Because perfect texture starts with perfect moisture.

AN OVEN THAT CLEANS ITSELF

Pyrolytic cleaning heats the oven to a high temperature, turning grease and grime to ash. Just wipe clean afterwards no water or chemicals needed. The multi-layer glass door stays cooler to touch for complete safety.

CRISPY GOLDEN RESULTS WITH LESS OIL

Love crunchy fries and golden chicken wings? AirFry gives you that irresistible crunch using powerful heat, right in your oven. No extra appliance, no extra oil. Just healthier, tasty meals made simple.

RELIABLE AND RESPONSIVE

The LED display and responsive touch buttons give you quick access and control of cooking time, temperature and other features.

ACCESS ALL AREAS WITH EASE

Telescopic runners make it easy for you to slide trays in and out of the oven. This provides safe, effortless access, making it easier to baste during cooking or check on how a dish is coming along. The runners also make light work of lifting and removing hot trays or heavy dishes.

Specifications

PRODUCT PROFILE

Domestic warranty details (yrs)	3
Type of Oven	single pyrolytic oven
Oven fuel	electric
Materials/Colour	black
Controls of Oven	retractable control knobs,3 button touch control LED
Cooling fan	Yes

FLUSH FIT CUT OUT

Flush fit cut out height (mm)	600
Flush fit cut out width (mm)	600
Flush fit cut out depth (mm)	581

DIMENSIONS

PRODUCT DIMENSION

Total height (mm)	597
Total width (mm)	596
Total depth (mm)	572

MAIN OVEN

Gross capacity litres	80
Useable capacity litres	72
Oven function	multifunction
Number of functions	10

MAIN OVEN

Oven Functions	traditional bake,pizza,pastry,grill,fan grill,pyro clean ,SteamBake,fan bake,AirFry,Grill boost
Oven liner	pyrolux high temperature enamel
Timer functions	duration,minute minder,Delayed start,Time of day
Light wattage	25

ELECTRICAL CONNECTION

Connected load KW	3.1
Maximum current rating (amps)	12.9
Type of connection	hardwired

OTHER FEATURES

Number of Programmed functions	41
Cleaning	pyrolytic
Pyrolytic functions	3
Type of Pyrolytic functions	pyrolytic light clean,pyrolytic medium clean,pyrolytic heavy clean
Door	removable door,Soft close
Timer	Programmable timer
Lights	2
Light wattage	25

OTHER FEATURES

Light position	side and rear
Telescopic runners	one
Shelf support	side rack
Safety features	child safe mode,Quadruple glazed door
Closed door grilling	Yes
Fold down grill element	Yes
Included accessories	grill/oven pan,telescopic runner x 1,baking tray,side racks,2 x wire shelves,pan carrier,AirFry tray
Layers of glass in door	4
Number of shelf positions	5

SHIPPING

Shipping Volume (m3)	0.28
Shipping Weight (Kg)	39
Pack Dimensions Height (mm)	655

STUFFING QUANTITIES

20ft	72
40ft	153
40ft HC	153

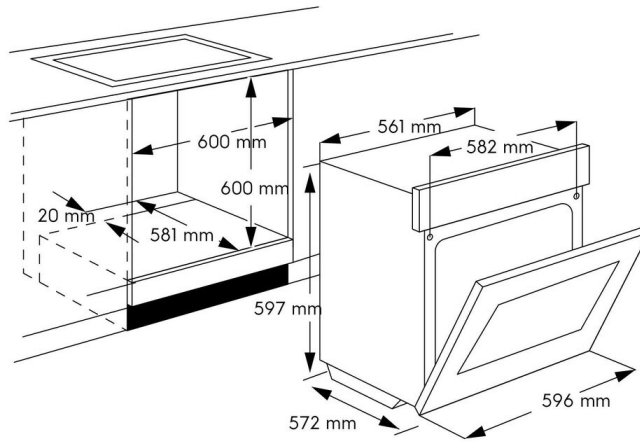
SHIPPING

Pack Dimension Width (mm)	635
------------------------------	-----

Pack Dimension Depth (mm)	670
------------------------------	-----

Dimensions

Model:
EVEP6515DF



© 2025 Electrolux S.E.A PTE. LTD. ELX_IM_Diag_EVEP6515DF_Oct25

Terms and Conditions

IMPORTANT

This is a guide of product dimensions only. For complete installation instructions, refer to the manual provided with product.

PRODUCT INFORMATION

The descriptors and illustrations in this publication apply to the specific products and models described as at the date of issue. Under our policy of continuous product development, product specifications may change without notice. Prospective purchasers should therefore check with their retailer to ensure this publication correctly describes the products that are being offered for sale. All information supplied is to be used for general reference purposes only and is on the understanding that Electrolux Home Products Pty Ltd (Australia) and Electrolux (NZ) Ltd (New Zealand) will not be liable for any loss, liability or damage of whatever kind arising as a result of reliance on such information. Colours of products illustrated are as close as printing limitations allow. Electrolux will at all times comply with its obligations pursuant to law including Trade Practices (Australian Consumer Law) Act and Regulations.

WARRANTY

This warranty only applies to Appliances purchased and used in Australia or New Zealand and used in normal domestic applications and is in addition to (and does not exclude, restrict, or modify in any way) any non-excludable statutory warranties in Australia or New Zealand. All warranties are subject to the conditions set out in the warranty card accompanying the product when purchased.

ELECTROLUX HOME PRODUCTS AUSTRALIA

telephone: 1300 363 640

fax: 1800 350 067

email: customercare@electrolux.com.au

web: www.electrolux.com.au

ELECTROLUX HOME PRODUCTS NEW ZEALAND

telephone: 09 573 2230

fax: 09 573 2221

email: customercare@electrolux.co.nz

web: www.electrolux.co.nz