

60cm oven with SteamBake, 16 oven functions, AirFry Plus, pyrolytic self-cleaning, TFT touchscreen and included food probe and telescopic runners



Product Details

FEATURES

AirFryPlus (+Steam) AirFry +Steam for crispy and juicy results	Food probe Smart food probe monitors the core temperature of food to keep meat succulent and juicy.	Pyrolytic self cleaning	46 assisted cooking programs
--	---	--------------------------------	-------------------------------------

Telescopic runners Baste during cooking and slide trays in and out of the oven with easy access telescopic runners.	Soft close door	Quadruple glazed oven doors
---	------------------------	------------------------------------

BENEFITS

3 YEAR WARRANTY
Because peace of mind should last as long as great design, this product has three years of trusted Electrolux support.
*Available for purchases after 1 March 2026.

A TOUCH OF STEAM: THE SECRET TO PERFECT BAKING
Add a touch of steam for artisan style results at home. Add water to our inbuilt well to create steam for golden crusts and soft, airy centres, ideal for bread, pastries, and delicate bakes. Because perfect texture starts with perfect moisture.

TAKE THE GUESSWORK OUT OF COOKING
Use the smart food probe to monitor the core temperature of your food. It automatically switches off the oven when your dish is done, so you get juicy roasts, tender poultry, and flawless results without lifting a finger.

AIRFRY MEETS STEAM
Get the best of both worlds, crispy on the outside, tender on the inside. By adding steam to AirFry, keep your drumsticks, chops or crumbed fish juicy whilst achieving that irresistible crunch.

AN OVEN THAT CLEANS ITSELF
Pyrolytic cleaning heats the oven to a high temperature, turning grease and grime to ash. Just wipe clean afterwards no water or chemicals needed. The multi-layer glass door stays cooler to touch for complete safety.

ASSISTED COOKING
The intuitive full-colour touch display provides a range of assisted cooking functions to help you achieve delicious results every time. Use automatic settings for ideal roasting, reheating or dough proving, or use the step by step guides for Bread and Pizzas, Meat and Fish or Vegetables.

ACCESS ALL AREAS WITH EASE

Telescopic runners make it easy for you to slide trays in and out of the oven. This provides safe, effortless access, making it easier to baste during cooking or check on how a dish is coming along. The runners also make light work of lifting and removing hot trays or heavy dishes.

Specifications

PRODUCT PROFILE

Domestic warranty details (yrs)	3
---------------------------------	---

Type of Oven	single pyrolytic oven
--------------	-----------------------

Oven fuel	electric
-----------	----------

Materials/Colour	black
------------------	-------

Controls of Oven	TFT touchscreen
------------------	-----------------

Cooling fan	Yes
-------------	-----

FLUSH FIT CUT OUT

Flush fit cut out height (mm)	600
-------------------------------	-----

Flush fit cut out width (mm)	600
------------------------------	-----

Flush fit cut out depth (mm)	581
------------------------------	-----

DIMENSIONS

PRODUCT DIMENSION

Total height (mm)	597
-------------------	-----

Total width (mm)	596
------------------	-----

Total depth (mm)	572
------------------	-----

MAIN OVEN

Gross capacity litres	80
-----------------------	----

Useable capacity litres	72
-------------------------	----

Oven function	multifunction
---------------	---------------

Number of functions	16
---------------------	----

MAIN OVEN

Oven Functions	fan cooking,traditional bake,pizza,pastry,grill,fan grill,defrost,SteamBake,rapid heat,AirFryPlus,fan assist bake,roast,slow cook,dough proving,Grill boost, Eco mode
Oven liner	pyrolux high temperature enamel
Timer functions	duration,Delayed start,Time of day,function lock
Light wattage	25

ELECTRICAL CONNECTION

Connected load KW	3.6
Maximum current rating (amps)	15
Type of connection	hardwired

OTHER FEATURES

Cleaning	pyrolytic
Pyrolytic functions	3
Type of Pyrolytic functions	pyrolytic light clean,pyrolytic medium clean,pyrolytic heavy clean
Door	removable door,Soft close,drop down
Timer	Fully programmable touch control timer
Lights	3
Light wattage	25

OTHER FEATURES

Light position	side and rear
Telescopic runners	one
Shelf support	side rack
Safety features	child button lock, Quadruple glazed door
Closed door grilling	Yes
Fold down grill element	Yes
Included accessories	grill/oven pan, telescopic runner x 1, baking tray, side racks, 2 x wire shelves, pan carrier, AirFry tray, Smart food probe
Layers of glass in door	4
Number of shelf positions	5
Food probe	Yes

SHIPPING

Shipping Volume (m3)	0.28
Shipping Weight (Kg)	45

STUFFING QUANTITIES

20ft	72
40ft	153
40ft HC	153

SHIPPING

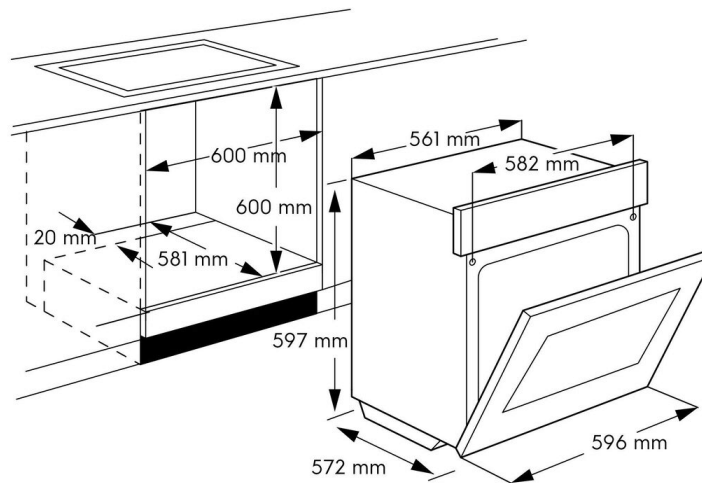
Pack Dimensions Height (mm)	655
--------------------------------	-----

Pack Dimension Width (mm)	635
------------------------------	-----

Pack Dimension Depth (mm)	670
------------------------------	-----

Dimensions

Model:
EVEP6616DF



© 2025 Electrolux S.E.A PTE. LTD. ELX_JM_Diag_EVEP6616DF_Oct25

Terms and Conditions

IMPORTANT

This is a guide of product dimensions only. For complete installation instructions, refer to the manual provided with product.

PRODUCT INFORMATION

The descriptors and illustrations in this publication apply to the specific products and models described as at the date of issue. Under our policy of continuous product development, product specifications may change without notice. Prospective purchasers should therefore check with their retailer to ensure this publication correctly describes the products that are being offered for sale. All information supplied is to be used for general reference purposes only and is on the understanding that Electrolux Home Products Pty Ltd (Australia) and Electrolux (NZ) Ltd (New Zealand) will not be liable for any loss, liability or damage of whatever kind arising as a result of reliance on such information. Colours of products illustrated are as close as printing limitations allow. Electrolux will at all times comply with its obligations pursuant to law including Trade Practices (Australian Consumer Law) Act and Regulations.

WARRANTY

This warranty only applies to Appliances purchased and used in Australia or New Zealand and used in normal domestic applications and is in addition to (and does not exclude, restrict, or modify in any way) any non-excludable statutory warranties in Australia or New Zealand. All warranties are subject to the conditions set out in the warranty card accompanying the product when purchased.

ELECTROLUX HOME PRODUCTS AUSTRALIA

telephone: 1300 363 640

fax: 1800 350 067

email: customercare@electrolux.com.au

web: www.electrolux.com.au

ELECTROLUX HOME PRODUCTS NEW ZEALAND

telephone: 09 573 2230

fax: 09 573 2221

email: customercare@electrolux.co.nz

web: www.electrolux.co.nz