

**60cm double oven with SteamBake, 16/7 oven functions, AirFry Plus, pyrolytic self-cleaning, TFT touchscreen and included food probe and telescopic runners**



## Product Details

### FEATURES

---

**SteamBake (Light Steam)**  
A touch of steam for crisper crusts with our inbuilt well

**Food probe**  
Smart food probe monitors the core temperature of food to keep meat succulent and juicy.

**AirFryPlus (+Steam)**  
AirFry +Steam for crispy and juicy results

**Pyrolytic self cleaning**

---

**46 assisted cooking programs**

**Telescopic runners**  
Baste during cooking and slide trays in and out of the oven with easy access telescopic runners.

**Soft close door**

---

### BENEFITS

---

#### 3 YEAR WARRANTY

Because peace of mind should last as long as great design, this product has three years of trusted Electrolux support.

\*Available for purchases after 1 March 2026.

#### A TOUCH OF STEAM: THE SECRET TO PERFECT BAKING

Add a touch of steam for artisan style results at home. Add water to our inbuilt well to create steam for golden crusts and soft, airy centres, ideal for bread, pastries, and delicate bakes. Because perfect texture starts with perfect moisture.

---

#### PRECISE COOKING, GREAT RESULTS

The smart food probe monitors the core temperature of your food, while precise sensors alert you when the dish is ready, and stop the oven automatically so the roast stays juicy, just the way you like it.

#### AIRFRY MEETS STEAM

Get the best of both worlds, crispy on the outside, tender on the inside. By adding steam to AirFry, keep your drumsticks, chops or crumbed fish juicy whilst achieving that irresistible crunch.

---

#### AN OVEN THAT CLEANS ITSELF

Pyrolytic cleaning heats the oven to a high temperature, turning grease and grime to ash. Just wipe clean afterwards no water or chemicals needed. The multi-layer glass door stays cooler to touch for complete safety.

#### ASSISTED COOKING

The intuitive full-colour touch display provides a range of assisted cooking functions to help you achieve delicious results every time. Use automatic settings for ideal roasting, reheating or dough proving, or use the step by step guides for Bread and Pizzas, Meat and Fish or Vegetables.

---

#### ACCESS ALL AREAS WITH EASE

Telescopic runners make it easy for you to slide trays in and out of the oven. This provides safe, effortless access, making it easier to baste during cooking or check on how a dish is coming along. The runners also make light work of lifting and removing hot trays or heavy dishes.

---

## Specifications

### PRODUCT PROFILE

---

Domestic warranty details (yrs)	3
---------------------------------	---

---

Type of Oven	duo oven
--------------	----------

---

Oven fuel	electric
-----------	----------

---

Materials/Colour	black
------------------	-------

---

Controls of Oven	TFT touchscreen
------------------	-----------------

---

Cooling fan	Yes
-------------	-----

---

### FLUSH FIT CUT OUT

---

Flush fit cut out height (mm)	893
-------------------------------	-----

---

Flush fit cut out width (mm)	600
------------------------------	-----

---

Flush fit cut out depth (mm)	581
------------------------------	-----

---

### DIMENSIONS

---

#### PRODUCT DIMENSION

---

Total height (mm)	890
-------------------	-----

---

Total width (mm)	596
------------------	-----

---

Total depth (mm)	572
------------------	-----

---

### MAIN OVEN

---

Gross capacity litres	80
-----------------------	----

---

Useable capacity litres	72
-------------------------	----

---

Oven function	multifunction
---------------	---------------

---

Number of functions	16
---------------------	----

---

---

**MAIN OVEN**

---

Oven Functions fan cooking, fan assist bake, traditional bake, roast, pizza, pastry, rapid heat, grill, fan grill, defrost, dough proving, AirFryPlus, SteamBake, slow cook, Grill boost, Eco mode

---

Oven liner pyrolux high temperature enamel

---

Timer functions duration, Delayed start, Time of day, function lock

---

Light wattage 25

---

---

**SECOND OVEN OR GRILL**

---

Gross capacity litres 46

---

Useable capacity litres 38

---

Oven functions multifunction

---

Number of functions 7

---

Oven Functions fan assist bake, traditional bake, pastry, grill, fan grill, defrost, AirFry

---

Fold down grill element Yes

---

Closed door grilling Yes

---

Shelf support side rack

---

---

**ELECTRICAL CONNECTION**

---

Connected load KW 5.3

---

Maximum current rating (amps) 24.2

---

Type of connection hardwired

---

**SECOND OVEN OR GRILL**

---

Number of shelf positions	3
Lights	1
Light position	side
Layers of glass in door	4
Telescopic runners	one
Cleaning	pyrolytic

---

**OTHER FEATURES**

---

Cleaning	pyrolytic
Pyrolytic functions	3
Type of Pyrolytic functions	pyrolytic light clean,pyrolytic medium clean,pyrolytic heavy clean
Door	removable door,removable inner glass panes,Soft close
Timer	Fully programmable touch control timer
Lights	3
Light wattage	25

---

**SHIPPING**

---

Shipping Volume (m3)	0.408432
Shipping Weight (Kg)	66.5
Pack Dimensions Height (mm)	960
Pack Dimension Width (mm)	635
Pack Dimension Depth (mm)	670

---

**OTHER FEATURES**

---

Light position	side and rear
----------------	---------------

---

Telescopic runners	one
--------------------	-----

---

Shelf support	side rack
---------------	-----------

---

Safety features	child button lock
-----------------	-------------------

---

Closed door grilling	Yes
----------------------	-----

---

Fold down grill element	Yes
-------------------------	-----

---

Included accessories	grill/oven pan,side racks,2 x telescopic runners,Smart food probe,baking tray,3 x chromed wired shelves,AirFry tray,pan carrier
----------------------	---

---

Layers of glass in door	4
-------------------------	---

---

Number of shelf positions	5
---------------------------	---

---

Food probe	Yes
------------	-----

---

**STUFFING QUANTITIES**

---

20ft	48
------	----

---

40ft	96
------	----

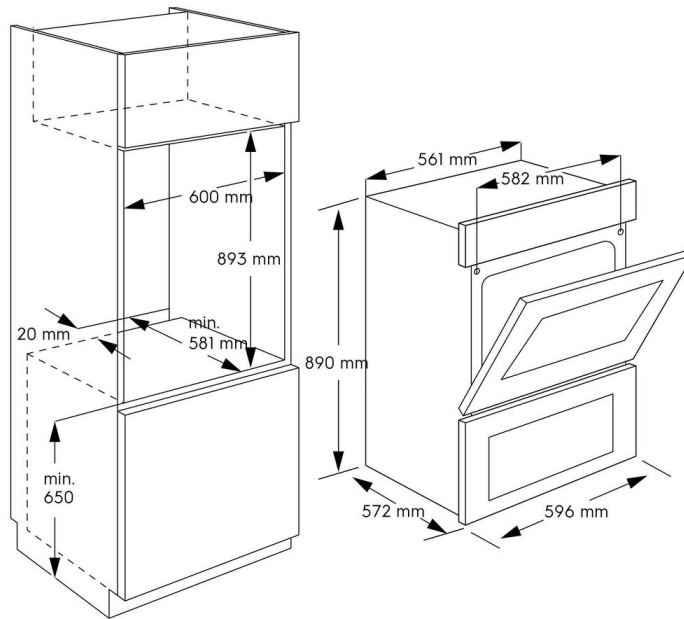
---

40ft HC	96
---------	----

---

# Dimensions

Model:  
EVEP6626DF



© 2025 Electrolux S.E.A PTE. LTD. ELX\_JM\_Diag\_EVEP6626DF\_Oct25

## Terms and Conditions

### IMPORTANT

This is a guide of product dimensions only. For complete installation instructions, refer to the manual provided with product.

### PRODUCT INFORMATION

The descriptors and illustrations in this publication apply to the specific products and models described as at the date of issue. Under our policy of continuous product development, product specifications may change without notice. Prospective purchasers should therefore check with their retailer to ensure this publication correctly describes the products that are being offered for sale. All information supplied is to be used for general reference purposes only and is on the understanding that Electrolux Home Products Pty Ltd (Australia) and Electrolux (NZ) Ltd (New Zealand) will not be liable for any loss, liability or damage of whatever kind arising as a result of reliance on such information. Colours of products illustrated are as close as printing limitations allow. Electrolux will at all times comply with its obligations pursuant to law including Trade Practices (Australian Consumer Law) Act and Regulations.

### WARRANTY

This warranty only applies to Appliances purchased and used in Australia or New Zealand and used in normal domestic applications and is in addition to (and does not exclude, restrict, or modify in any way) any non-excludable statutory warranties in Australia or New Zealand. All warranties are subject to the conditions set out in the warranty card accompanying the product when purchased.

#### ELECTROLUX HOME PRODUCTS AUSTRALIA

telephone: 1300 363 640

fax: 1800 350 067

email: [customercare@electrolux.com.au](mailto:customercare@electrolux.com.au)

web: [www.electrolux.com.au](http://www.electrolux.com.au)

#### ELECTROLUX HOME PRODUCTS NEW ZEALAND

telephone: 09 573 2230

fax: 09 573 2221

email: [customercare@electrolux.co.nz](mailto:customercare@electrolux.co.nz)

web: [www.electrolux.co.nz](http://www.electrolux.co.nz)