

60cm oven with AI TasteAssist, 21 oven functions, pyrolytic self-cleaning, CookSmart TFT touchscreen and included food probe and telescopic runners



Product Details

FEATURES

AI TasteAssist

Food probe
Smart food probe monitors the core temperature of food to keep meat succulent and juicy.

85 assisted cooking programs Pyrolytic self cleaning

AirFry

Telescopic runners
Baste during cooking and slide trays in and out of the oven with easy access telescopic runners.

Soft close door

BENEFITS

3 YEAR WARRANTY

Because peace of mind should last as long as great design, three years of trusted Electrolux support. *Available for purchases after 1 March 2026.

COOKING GUIDANCE AT A TOUCH

The CookSmart Touch display effortlessly guides you to perfect cooking results. Cook more efficiently, save your favourite recipes in the app, and send them straight to the oven for simple, smart cooking.

SMART COOKING, AI ASSISTED

Unlock your oven's full potential, and your own, with AI TasteAssist. Just send a recipe from the internet to your oven via the app and let AI allow the oven to optimise the time, temperature, and functions to bring out the best in every dish.

AN OVEN THAT CLEANS ITSELF

Pyrolytic cleaning heats the oven to a high temperature, turning grease and grime to ash. Just wipe clean afterwards no water or chemicals needed. The multi-layer glass door stays cooler to touch for complete safety.

PRECISE COOKING, GREAT RESULTS

The smart food probe monitors the core temperature of your food, while precise sensors alert you when the dish is ready, and stop the oven automatically so the roast stays juicy, just the way you like it.

CRISPY GOLDEN RESULTS WITH LESS OIL

Love crunchy fries and golden chicken wings? AirFry gives you that irresistible crunch using powerful heat, right in your oven. No extra appliance, no extra oil. Just healthier, tasty meals made simple.

ACCESS ALL AREAS WITH EASE

Telescopic runners make it easy for you to slide trays in and out of the oven. This provides safe, effortless access, making it easier to baste during cooking or check on how a dish is coming along. The runners also make light work of lifting and removing hot trays or heavy dishes.

Specifications

PRODUCT PROFILE

| | |
|---------------------------------|---|
| Domestic warranty details (yrs) | 3 |
|---------------------------------|---|

| | |
|--------------|-----------------------|
| Type of Oven | single pyrolytic oven |
|--------------|-----------------------|

| | |
|-----------|----------|
| Oven fuel | electric |
|-----------|----------|

| | |
|------------------|-------|
| Materials/Colour | black |
|------------------|-------|

| | |
|------------------|---------------------|
| Controls of Oven | CookSmart Touch TFT |
|------------------|---------------------|

| | |
|-------------|-----|
| Cooling fan | Yes |
|-------------|-----|

FLUSH FIT CUT OUT

| | |
|-------------------------------|-----|
| Flush fit cut out height (mm) | 600 |
|-------------------------------|-----|

| | |
|------------------------------|-----|
| Flush fit cut out width (mm) | 600 |
|------------------------------|-----|

| | |
|------------------------------|-----|
| Flush fit cut out depth (mm) | 581 |
|------------------------------|-----|

DIMENSIONS

PRODUCT DIMENSION

| | |
|-------------------|-----|
| Total height (mm) | 594 |
|-------------------|-----|

| | |
|------------------|-----|
| Total width (mm) | 595 |
|------------------|-----|

| | |
|------------------|-----|
| Total depth (mm) | 567 |
|------------------|-----|

MAIN OVEN

| | |
|-----------------------|----|
| Gross capacity litres | 77 |
|-----------------------|----|

| | |
|-------------------------|----|
| Useable capacity litres | 71 |
|-------------------------|----|

| | |
|---------------|---------------|
| Oven function | multifunction |
|---------------|---------------|

| | |
|---------------------|----|
| Number of functions | 21 |
|---------------------|----|

MAIN OVEN

| | |
|----------------|--|
| Oven Functions | roast,grill,keep warm,defrost,top heat,bottom heat,top+bottom,bread baking,dough proving,plate warming,preserving,slow cooking,Dehydrating,Hot air,Hot air + top,Hot air + bottom,Hot air, top + bottom,Heat save fan,Reheat,Refresh,Stew,Al TasteAssist |
|----------------|--|

| | |
|------------|--------|
| Oven liner | enamel |
|------------|--------|

| | |
|-----------------|--|
| Timer functions | End time,Delayed start,acoustic signal,duration,minute minder,Auto off ,Time of day,cleaning reminder,Time extension,Uptimer |
|-----------------|--|

| | |
|---------------|----|
| Light wattage | 65 |
|---------------|----|

ELECTRICAL CONNECTION

| | |
|-------------------|------|
| Connected load KW | 3.25 |
|-------------------|------|

| | |
|-------------------------------|----|
| Maximum current rating (amps) | 16 |
|-------------------------------|----|

| | |
|--------------------|-----------|
| Type of connection | hardwired |
|--------------------|-----------|

OTHER FEATURES

| | |
|--------------------------------|----|
| Number of Programmed functions | 85 |
|--------------------------------|----|

| | |
|--------------------|-----|
| Auto cook programs | Yes |
|--------------------|-----|

| | |
|----------|-----------|
| Cleaning | pyrolytic |
|----------|-----------|

| | |
|---------------------|---|
| Pyrolytic functions | 3 |
|---------------------|---|

| | |
|-----------------------------|--|
| Type of Pyrolytic functions | quick (1hr),normal (1.5hr),intense (3hr) |
|-----------------------------|--|

OTHER FEATURES

| | |
|---------------------------|---|
| Door | removable door,Soft close,removable inner glass panes |
| Timer | Fully programmable touch control timer |
| Lights | 2 |
| Light wattage | 65 |
| Light position | side and top |
| Telescopic runners | one |
| Shelf support | side rack |
| Safety features | child button lock,Quadruple glazed door |
| Closed door grilling | Yes |
| Included accessories | 2 x chromed wire shelf,dripping pan,cake tray,trivet,AirFry tray,Smart food probe,side racks,telescopic runners (1 set) |
| Layers of glass in door | 4 |
| Number of shelf positions | 5 |
| Food probe | Yes |

SHIPPING

| | |
|----------------------|-------|
| Shipping Volume (m3) | 0.285 |
|----------------------|-------|

| | |
|----------------------|----|
| Shipping Weight (Kg) | 38 |
|----------------------|----|

| | |
|-----------------------------|-----|
| Pack Dimensions Height (mm) | 670 |
|-----------------------------|-----|

| | |
|---------------------------|-----|
| Pack Dimension Width (mm) | 635 |
|---------------------------|-----|

| | |
|---------------------------|-----|
| Pack Dimension Depth (mm) | 670 |
|---------------------------|-----|

STUFFING QUANTITIES

| | |
|------|----|
| 20ft | 72 |
|------|----|

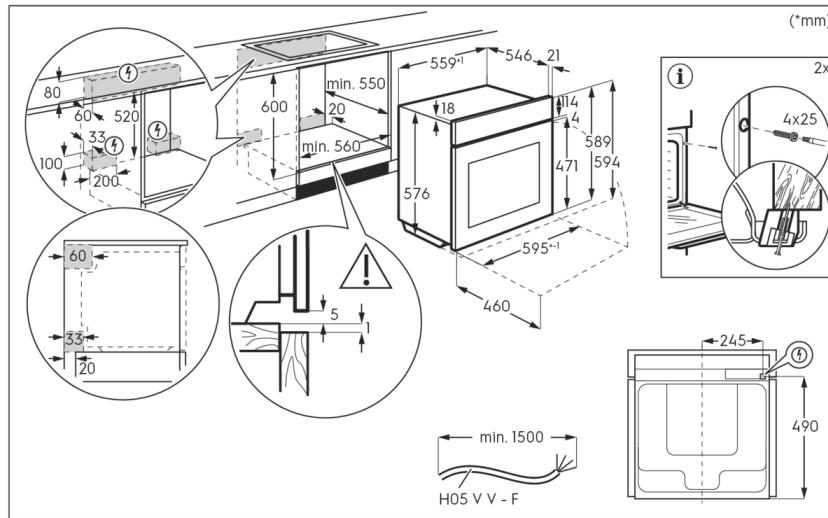
| | |
|------|-----|
| 40ft | 153 |
|------|-----|

| | |
|---------|-----|
| 40ft HC | 153 |
|---------|-----|

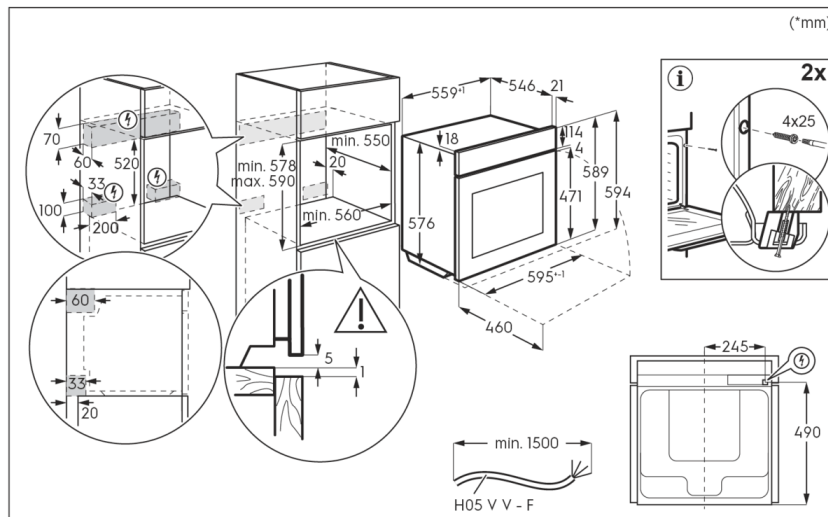
Dimensions

Model:
EVEP6816BF

Underbench



Cabinet



© 2025 Electrolux S.E. A PTE. LTD. ELX_IM_Diag_EVEP6816BF_Nov25

Terms and Conditions

IMPORTANT

This is a guide of product dimensions only. For complete installation instructions, refer to the manual provided with product.

PRODUCT INFORMATION

The descriptors and illustrations in this publication apply to the specific products and models described as at the date of issue. Under our policy of continuous product development, product specifications may change without notice. Prospective purchasers should therefore check with their retailer to ensure this publication correctly describes the products that are being offered for sale. All information supplied is to be used for general reference purposes only and is on the understanding that Electrolux Home Products Pty Ltd (Australia) and Electrolux (NZ) Ltd (New Zealand) will not be liable for any loss, liability or damage of whatever kind arising as a result of reliance on such information. Colours of products illustrated are as close as printing limitations allow. Electrolux will at all times comply with its obligations pursuant to law including Trade Practices (Australian Consumer Law) Act and Regulations.

WARRANTY

This warranty only applies to Appliances purchased and used in Australia or New Zealand and used in normal domestic applications and is in addition to (and does not exclude, restrict, or modify in any way) any non-excludable statutory warranties in Australia or New Zealand. All warranties are subject to the conditions set out in the warranty card accompanying the product when purchased.

ELECTROLUX HOME PRODUCTS AUSTRALIA

telephone: 1300 363 640

fax: 1800 350 067

email: customercare@electrolux.com.au

web: www.electrolux.com.au

ELECTROLUX HOME PRODUCTS NEW ZEALAND

telephone: 09 573 2230

fax: 09 573 2221

email: customercare@electrolux.co.nz

web: www.electrolux.co.nz