

**60cm full steam oven with automatic steam selection and AI TasteAssist, 24 oven functions, CookSmart TFT touchscreen and included food probe and telescopic runners**



## Product Details

### FEATURES

---

**SteamPro (Full Steam)**  
FullSteam for all access to steam - low, medium, full for delicious creations

**AI TasteAssist**

**Food probe**  
Smart food probe monitors the core temperature of food to keep meat succulent and juicy.

**139 assisted cooking programs**

---

**Steam Assisted Cleaning**

**Telescopic runners**  
Baste during cooking and slide trays in and out of the oven with easy access telescopic runners.

---

### BENEFITS

---

#### 3 YEAR WARRANTY

Because peace of mind should last as long as great design, this product has three years of trusted Electrolux support.

\*Available for purchases after 1 March 2026.

#### FULLSTEAM: FOR EVERY DISH

The SteamPro oven gives you access to low, medium and full steam to help you create more delicious dishes. Bake, roast, stew or reheat with the right steam level for juicier meats, tender fish and delicious vegetables.

---

#### COOKING GUIDANCE AT A TOUCH

The CookSmart Touch display effortlessly guides you to perfect cooking results. Cook more efficiently, save your favourite recipes in the app, and send them straight to the oven for simple, smart cooking.

---

#### YOUR FAVOURITE RECIPE. OPTIMISED BY AI.

AI TasteAssist proposes optimised temperature, time, and steam settings to suit your favourite recipe, helping you create healthier, tastier meals with no guesswork required.

---

#### PRECISE COOKING, GREAT RESULTS

The smart food probe monitors the core temperature of your food, while precise sensors alert you when the dish is ready, and stop the oven automatically so the roast stays juicy, just the way you like it.

---

#### EASY OVEN CLEANING WITH STEAM

The Steam Cleaning function makes oven cleaning easy. Add water to the built-in tank and steam dissolves grease and food residue, so you can wipe surfaces clean without harsh chemicals.

---

**CRISPY GOLDEN RESULTS WITH LESS OIL**

Love crunchy fries and golden chicken wings? AirFry gives you that irresistible crunch using powerful heat, right in your oven. No extra appliance, no extra oil. Just healthier, tasty meals made simple.

---

## Specifications

### PRODUCT PROFILE

---

Domestic warranty details (yrs) 3

---

Type of Oven single steam oven

---

Oven fuel electric

---

Materials/Colour black

---

Controls of Oven CookSmart Touch TFT

---

Cooling fan Yes

---

### FLUSH FIT CUT OUT

---

Flush fit cut out height (mm) 600

---

Flush fit cut out width (mm) 600

---

Flush fit cut out depth (mm) 581

---

### DIMENSIONS

---

#### PRODUCT DIMENSION

---

Total height (mm) 594

---

Total width (mm) 595

---

Total depth (mm) 567

---

### MAIN OVEN

---

Gross capacity litres 77

---

Useable capacity litres 70

---

Oven function multifunction

---

Number of functions 24

---

---

**MAIN OVEN**


---

Oven Functions	roast,grill,keep warm,defrost,top heat,bottom heat,top+bottom,bread baking,dough proving,plate warming,preserving,slow cooking,Dehydrating,steam,STEAMIFY®,Hot air,Hot air + top,Hot air + bottom,Hot air, top + bottom,Heat save fan,Reheat,Refresh,Stew,ProSteam,AI TasteAssist
----------------	---

---

Oven liner	enamel
------------	--------

---

Timer functions	End time,Delayed start,acoustic signal,duration,minute minder,Auto off ,Time of day,cleaning reminder,Time extension,Uptimer
-----------------	--

---

Light wattage	65
---------------	----

---

**ELECTRICAL CONNECTION**


---

Connected load KW	3.25
-------------------	------

---

Maximum current rating (amps)	16
-------------------------------	----

---

Type of connection	hardwired
--------------------	-----------

---

**OTHER FEATURES**


---

Number of Programmed functions	139
--------------------------------	-----

---

Auto cook programs	Yes
--------------------	-----

---

Cleaning	steam
----------	-------

---

Door	removable door,Soft close,removable inner glass panes
------	---

---

Timer	Fully programmable touch control timer
-------	--

---

---

**OTHER FEATURES**

---

Lights	2
Light wattage	65
Light position	side and top
Telescopic runners	one
Shelf support	side rack
Safety features	child button lock, Triple glazed door
Closed door grilling	Yes
Included accessories	2 x chromed wire shelf, dripping pan, cake tray, trivet, AirFry tray, Smart food probe, side racks, telescopic runners (1 set), stainless steel perforated steamer pan, stainless steel dripping pan
Layers of glass in door	3
Number of shelf positions	5
Food probe	Yes

---

**SHIPPING****STUFFING QUANTITIES**

**SHIPPING**

---

Shipping Volume (m3)	0.285
----------------------	-------

---

Shipping Weight (Kg)	37.5
----------------------	------

---

Pack Dimensions Height (mm)	670
-----------------------------	-----

---

Pack Dimension Width (mm)	635
---------------------------	-----

---

Pack Dimension Depth (mm)	670
---------------------------	-----

---

**STUFFING QUANTITIES**

---

20ft	72
------	----

---

40ft	153
------	-----

---

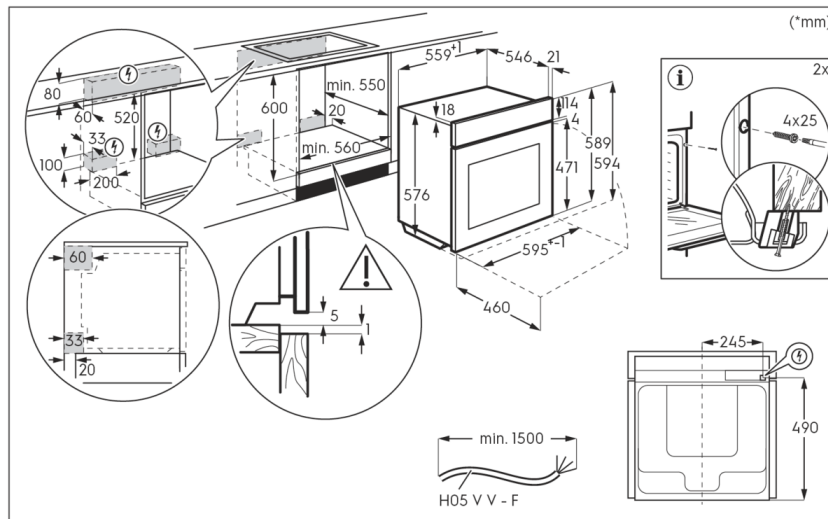
40ft HC	153
---------	-----

---

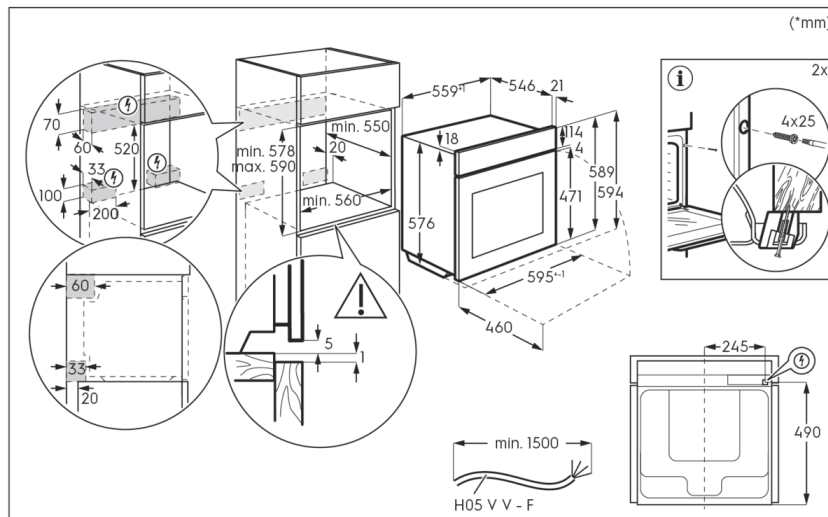
# Dimensions

**Model:**  
EVES6810BF

## Underbench



## Cabinet



## Terms and Conditions

### IMPORTANT

This is a guide of product dimensions only. For complete installation instructions, refer to the manual provided with product.

### PRODUCT INFORMATION

The descriptors and illustrations in this publication apply to the specific products and models described as at the date of issue. Under our policy of continuous product development, product specifications may change without notice. Prospective purchasers should therefore check with their retailer to ensure this publication correctly describes the products that are being offered for sale. All information supplied is to be used for general reference purposes only and is on the understanding that Electrolux Home Products Pty Ltd (Australia) and Electrolux (NZ) Ltd (New Zealand) will not be liable for any loss, liability or damage of whatever kind arising as a result of reliance on such information. Colours of products illustrated are as close as printing limitations allow. Electrolux will at all times comply with its obligations pursuant to law including Trade Practices (Australian Consumer Law) Act and Regulations.

### WARRANTY

This warranty only applies to Appliances purchased and used in Australia or New Zealand and used in normal domestic applications and is in addition to (and does not exclude, restrict, or modify in any way) any non-excludable statutory warranties in Australia or New Zealand. All warranties are subject to the conditions set out in the warranty card accompanying the product when purchased.

#### ELECTROLUX HOME PRODUCTS AUSTRALIA

telephone: 1300 363 640

fax: 1800 350 067

email: [customercare@electrolux.com.au](mailto:customercare@electrolux.com.au)

web: [www.electrolux.com.au](http://www.electrolux.com.au)

#### ELECTROLUX HOME PRODUCTS NEW ZEALAND

telephone: 09 573 2230

fax: 09 573 2221

email: [customercare@electrolux.co.nz](mailto:customercare@electrolux.co.nz)

web: [www.electrolux.co.nz](http://www.electrolux.co.nz)