

10kg front load washing machine, AutoDose system, Wi-Fi enabled with 5 star energy and 4.5 star WELS rating. This washer features the latest AutoDose technology, UltraMix +Jet system, Woolmark Blue certification, vapour refresh options and 10 year parts and labour inverter motor warranty



Product Details

FEATURES

AutoDose, automatic detergent and fabric softener dispensing

Maximise every load and take the guesswork out of washing. Designed to minimise water & energy use and save precious time, the AutoDose system gets rid of the guess work and helps keep your whites whiter, your blacks blacker, and your fabrics looking their best for longer.

Gentle Drum

More smaller holes allow water to pass in and out of the drum quickly, while also helping to reduce pulling of your clothes during high-speed spinning.

Extra-Large Door Opening

Add Clothes

With our Add Clothes function, you can quickly add those forgotten items. It can only be used when the water level is below the door and on programs where the water temperature is less than 60 degrees Celsius.

5 Energy Stars rated

Drum Light

Extra visibility with the brilliant LED Drum Light

Save your favourite program

Woolmark Blue Certified

High performance 1400 rpm spin cycle

EcoInverter

The ecoinverter motor delivers quieter operation, improvements in energy efficiency and improved durability, backed by a 10 year parts & labour inverter motor warranty ensuring peace of mind.

BENEFITS

Deeper clean

Say goodbye to detergent or soil residue on your freshly washed garments. UltraMix ensures detergent is fully dissolved before it reaches your fabrics for 40% less colour fading after 52 washes, even using cold water.

Hygienic clean. Vapour care

Electrolux front load washers with vapour option removes up to 99.2% of Der f1 (dust mite) and Fel d1 (cat allergen) and up to 99.9% of Staphylococcus aureus and Klebsiella pneumonia during a 40C cottons wash.

Effortless laundry for you, better care for your clothes

Make sure your favourites are protected with each wash, by keeping them in a better condition for longer with AutoDose. It isn't easy to work out how much detergent should go into each wash and with AutoDose, you don't have to. Too much or too little detergent can be harmful to your garments, but AutoDose delivers the exact amount each load needs.

REMOVES 49 VISIBLE STAINS*

Wash out all kinds of stubborn stains with ease, without the need for pre-treatments. SensorWash technology automatically detects dirt and soil levels and adjusts the cycle duration accordingly to effortlessly remove 49 different visible stains.**Tested on 4.5kg load with 5cm2 stains from food, household and personal products using Cotton 40C + Stain Cycle. Results may vary depending on factors such as load size, type and duration of soiling, detergent type and water pressure.

Hand it to us

You can safely trust your Electrolux to treat your delicate wool garments with utmost care. Our wool cycle is proven to be gentle enough even for your hand wash only woollens, keeping them as fresh and lovely as they felt when you first put them on.

Quietly efficient

Reduce your energy needs by up to 50% with a powerful and reliable EcolInverter motor. With the 10 year parts and labour inverter motor warranty your Electrolux will deliver, wash after wash, year after year. *vs Electrolux non inverter motors

Extra large 3XL drum opening

The extra-large drum opening makes loading and unloading your washing so effortless and easy. Perfect for big loads or those bulky items like blankets and curtains, you'll have things in or out in no time.

Specifications

PRODUCT PROFILE

Washing Machine Type	Front load washing machine
----------------------	----------------------------

Domestic warranty details (yrs)	2
---------------------------------	---

Front Loader Type	Front Loader
-------------------	--------------

Capacity (Kg)	10
---------------	----

Frontloader Wash system	UltraMix,AutoDose,jetsystem
-------------------------	-----------------------------

ENERGY FOR WASHING

Water Efficiency Star Rating	4.5
------------------------------	-----

WELS Registration Number	C02043
--------------------------	--------

Water Consumption (litres)	86
----------------------------	----

Energy Efficiency Star Rating	5
-------------------------------	---

Energy Consumption Warm (KWhr/yr)	224
-----------------------------------	-----

DIMENSIONS

PRODUCT

Total height (mm)	850
-------------------	-----

Total width (mm)	600
------------------	-----

Total depth (mm)	660
------------------	-----

WASH PROGRAMS

Number of Programs	15
--------------------	----

Frontloader Wash programs	Delicate,Bedding,spin,Mixed,Energy Saver,Cotton,Wool,Vapour Refresh,Rinse & Spin,App Program,Quick 15,Favourite,Sports,Daily 39,Full Wash 60
---------------------------	--

Wash options	wash temperatures,Prewash,vapour,spin selection,Stain,Delay End,Remote,Save Favourite,Child Lock,Hygienic Care
--------------	--

ENERGY FOR WASHING

Noise level dBA	49
-----------------	----

WASH PROGRAMS

Dispenser	Powder or liquid detergent dispenser, Fabric softener dispenser, AutoDose system
-----------	--

Wash and Dry Programs	N/A
-----------------------	-----

Wash and Dry options	N/A
----------------------	-----

CONTROLS

Type of controls	rotary, Touch button
------------------	----------------------

Control panel colour	blue
----------------------	------

Functions available	prewash, delay end, Stain, Save Favourite, time remaining, Add Clothes, Vapour, Child Lock, Temperature, Remote, internal drum light
---------------------	--

Type of display	LCD
-----------------	-----

BOWL

Drum material	stainless steel
---------------	-----------------

DOOR

Reversible	No
------------	----

Door Colour	Silver
-------------	--------

CABINET

Cabinet Colour	white
----------------	-------

Cabinet material	painted galvanized steel
------------------	--------------------------

DOOR

door lock	Yes
-----------	-----

TECHNICAL

Water pressure requirements min	50
---------------------------------	----

Water pressure requirements max	800
---------------------------------	-----

Water supply	cold
--------------	------

Inlet hose length	1350
-------------------	------

Inlet hose extension avail as spare part	Yes
--	-----

Drain hose length	1450
-------------------	------

Drain hose extension avail as spare part	Yes
--	-----

Service cord length	1500
---------------------	------

Motor type	Ecoinverter
------------	-------------

Maximum spin speed	1400
--------------------	------

Variable spin speed	Yes
---------------------	-----

Number of spin speeds	6
-----------------------	---

SHIPPING

Shipping Volume (m3)	38.6
----------------------	------

Shipping Weight (Kg)	80
----------------------	----

Pack Dimensions Height (mm)	870
-----------------------------	-----

Pack Dimension Width (mm)	635
---------------------------	-----

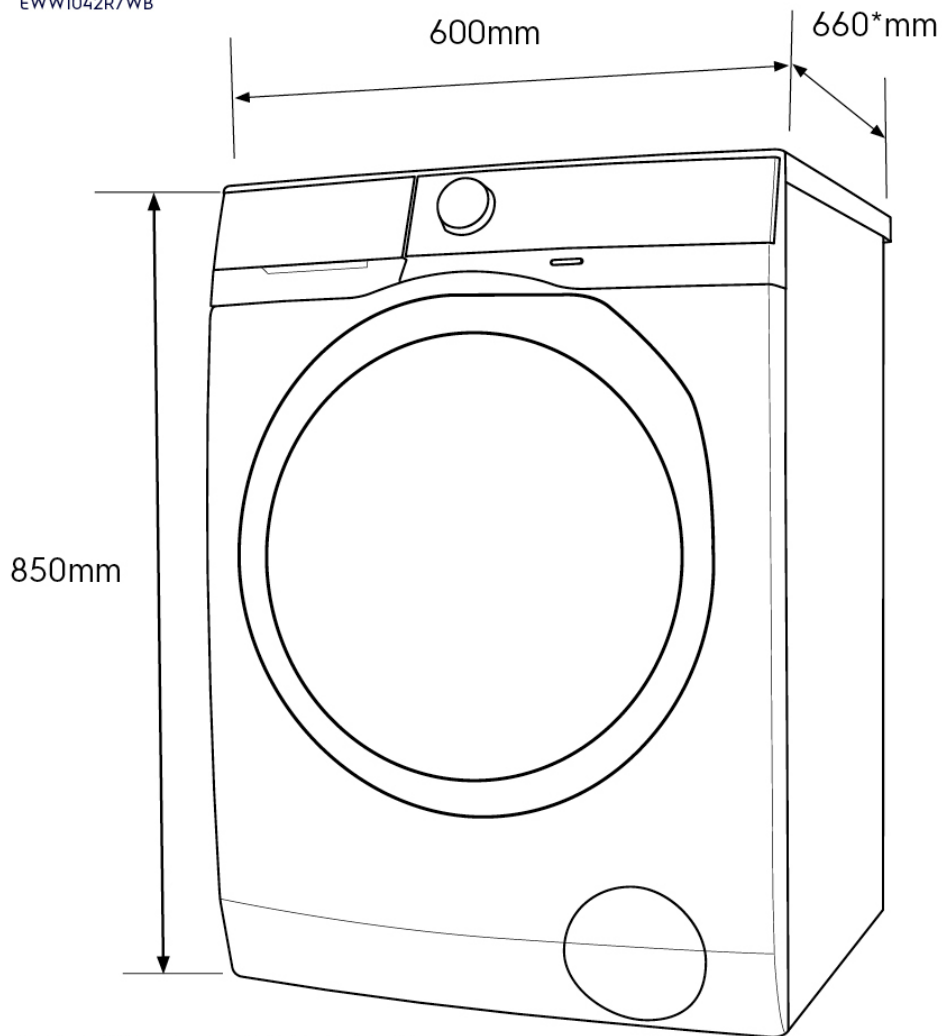
Pack Dimension Depth (mm)	698
---------------------------	-----

STUFFING QUANTITIES

40ft HC	150
---------	-----

Dimensions

Model:
EWF8024Q5WB
EWF9024Q5WB
EWF9042R7WB
EWF1042R7WB
EWF1041R9WB
EWW1042R7WB



*Add 20mm for the hose protrusion at the back.

IMPORTANT

This is a guide of product dimensions only. For complete installation instructions, refer to the manual provided with product.

Terms and Conditions

IMPORTANT

This is a guide of product dimensions only. For complete installation instructions, refer to the manual provided with product.

PRODUCT INFORMATION

The descriptors and illustrations in this publication apply to the specific products and models described as at the date of issue. Under our policy of continuous product development, product specifications may change without notice. Prospective purchasers should therefore check with their retailer to ensure this publication correctly describes the products that are being offered for sale. All information supplied is to be used for general reference purposes only and is on the understanding that Electrolux Home Products Pty Ltd (Australia) and Electrolux (NZ) Ltd (New Zealand) will not be liable for any loss, liability or damage of whatever kind arising as a result of reliance on such information. Colours of products illustrated are as close as printing limitations allow. Electrolux will at all times comply with its obligations pursuant to law including Trade Practices (Australian Consumer Law) Act and Regulations.

WARRANTY

This warranty only applies to Appliances purchased and used in Australia or New Zealand and used in normal domestic applications and is in addition to (and does not exclude, restrict, or modify in any way) any non-excludable statutory warranties in Australia or New Zealand. All warranties are subject to the conditions set out in the warranty card accompanying the product when purchased.

ELECTROLUX HOME PRODUCTS AUSTRALIA

telephone: 1300 363 640

fax: 1800 350 067

email: customercare@electrolux.com.au

web: www.electrolux.com.au

ELECTROLUX HOME PRODUCTS NEW ZEALAND

telephone: 09 573 2230

fax: 09 573 2221

email: customercare@electrolux.co.nz

web: www.electrolux.co.nz