

**10kg front load washer, AutoDose system, Wi-Fi enabled with 5 star energy and 4.5 star WELS rating. This washer features the latest AutoDose technology, UltraMix system, Woolmark Blue certification, vapour refresh options and 10 year parts and labour inverter motor warranty**



## Product Details

### FEATURES

---

**AutoDose**, automatic detergent and fabric softener dispensing  
Maximise every load and take the guesswork out of washing. Designed to minimise water & energy use and save precious time, the AutoDose system gets rid of the guess work and helps keep your whites whiter, your blacks blacker, and your fabrics looking their best for longer.

**Gentle Drum**  
More smaller holes allow water to pass in and out of the drum quickly, while also helping to reduce pulling of your clothes during high-speed spinning.

**Extra-Large Door Opening**

**Add Clothes**  
With our Add Clothes function, you can quickly add those forgotten items. It can only be used when the water level is below the door and on programs where the water temperature is less than 60 degrees Celsius.

---

**5 Energy Stars** rated

**Drum Light**  
Extra visibility with the brilliant LED Drum Light

**Save your favourite program**

**Woolmark Blue Certified**

---

**High performance 1400 rpm** spin cycle

**EcoInverter**  
The ecoinverter motor delivers quieter operation, improvements in energy efficiency and improved durability, backed by a 10 year parts & labour inverter motor warranty ensuring peace of mind.

---

### BENEFITS

---

**Deeper clean**

Say goodbye to detergent or soil residue on your freshly washed garments. UltraMix ensures detergent is fully dissolved before it reaches your fabrics for 40% less colour fading after 52 washes, even using cold water.

---

**Hygienic clean. Vapour care**

Electrolux front load washers with vapour option removes up to 99.2% of Der f1 (dust mite) and Fel d1 (cat allergen) and up to 99.9% of Staphylococcus aureus and Klebsiella pneumonia during a 40C cottons wash.

---

**Effortless laundry for you, better care for your clothes**

Make sure your favourites are protected with each wash, by keeping them in a better condition for longer with AutoDose. It isn't easy to work out how much detergent should go into each wash and with AutoDose, you don't have to. Too much or too little detergent can be harmful to your garments, but AutoDose delivers the exact amount each load needs.

---

**Hand it to us**

You can safely trust your Electrolux to treat your delicate wool garments with utmost care. Our wool cycle is proven to be gentle enough even for your hand wash only woollens, keeping them as fresh and lovely as they felt when you first put them on.

---

**Quietly efficient**

Reduce your energy needs by up to 50% with a powerful and reliable EcoInverter motor. With the 10 year parts and labour inverter motor warranty your Electrolux will deliver, wash after wash, year after year. \*vs Electrolux non inverter motors

---

**Extra large 3XL drum opening**

The extra-large drum opening makes loading and unloading your washing so effortless and easy. Perfect for big loads or those bulky items like blankets and curtains, you'll have things in or out in no time.

---

## Specifications

### PRODUCT PROFILE

---

Washing Machine Type	Front load washing machine
Domestic warranty details (yrs)	2
Front Loader Type	Front Loader
Capacity (Kg)	10
Frontloader Wash system	UltraMix,AutoDose

---

### ENERGY FOR WASHING

---

Water Efficiency Star Rating	4.5
Water Consumption (litres)	86
Energy Efficiency Star Rating	5
Energy Consumption Warm (KWhr/yr)	214
Noise level dBA	49

---

### DIMENSIONS

---

#### PRODUCT

---

Total height (mm)	850
Total width (mm)	600
Total depth (mm)	659

---

### WASH PROGRAMS

---

Number of Programs	15
Frontloader Wash programs	Delicate,Bedding,spin,Mixed,Energy Saver,Cotton,Tub clean,Wool,Daily 60,Vapour Refresh,Rinse & Spin,App Program,Quick 15,Favourite,Sports
Wash options	wash temperatures,Prewash,vapour,spin selection,Stain,Delay End,Remote,Save Favourite,Child Lock

---

## WASH PROGRAMS

---

Dispenser	Powder or liquid detergent dispenser, Fabric softener dispenser, AutoDose system
-----------	--

---

Wash and Dry Programs	N/A
-----------------------	-----

---

Wash and Dry options	N/A
----------------------	-----

---

## CONTROLS

---

Type of controls	rotary, Touch button
------------------	----------------------

---

Control panel colour	blue
----------------------	------

---

Functions available	prewash, delay end, Stain, Save Favourite, time remaining, Add Clothes, Vapour, Child Lock, Temperature, Remote
---------------------	---

---

Type of display	LED
-----------------	-----

---

## DOOR

---

Reversible	No
------------	----

---

Door Colour	Chrome
-------------	--------

---

door lock	Yes
-----------	-----

---

## BOWL

---

Drum material	stainless steel
---------------	-----------------

---

## CABINET

---

Cabinet Colour	white
----------------	-------

---

Cabinet material	painted galvanized steel
------------------	--------------------------

---

**TECHNICAL**

---

Water pressure requirements min	50
---------------------------------	----

---

Water pressure requirements max	800
---------------------------------	-----

---

Water supply	cold
--------------	------

---

Inlet hose length	1350
-------------------	------

---

Inlet hose extension avail as spare part	Yes
--	-----

---

Drain hose length	1450
-------------------	------

---

Drain hose extension avail as spare part	Yes
--	-----

---

Service cord length	1500
---------------------	------

---

Motor type	Ecoinverter
------------	-------------

---

Maximum spin speed	1400
--------------------	------

---

Variable spin speed	Yes
---------------------	-----

---

Number of spin speeds	6
-----------------------	---

---

**STUFFING QUANTITIES**

---

40ft HC	150
---------	-----

---

**SHIPPING**

---

Shipping Volume (m3)	40.3
----------------------	------

---

Shipping Weight (Kg)	73
----------------------	----

---

Pack Dimensions Height (mm)	870
-----------------------------	-----

---

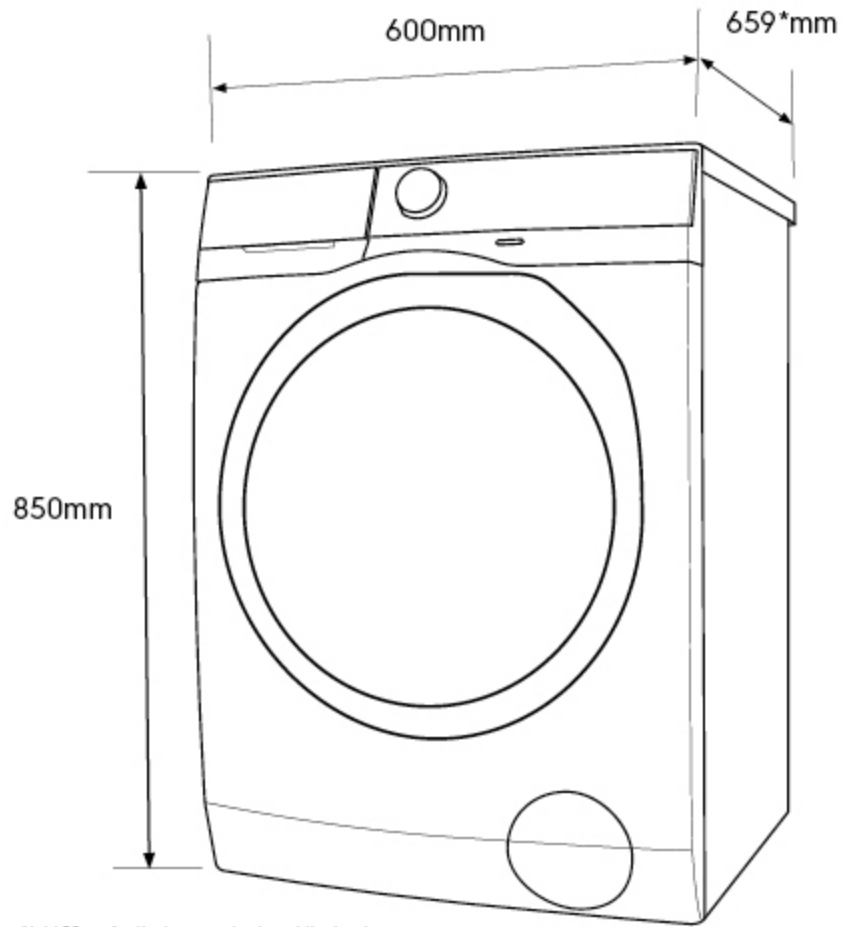
Pack Dimension Width (mm)	645
---------------------------	-----

---

Pack Dimension Depth (mm)	718
---------------------------	-----

---

## Dimensions



## Terms and Conditions

### IMPORTANT

This is a guide of product dimensions only. For complete installation instructions, refer to the manual provided with product.

### PRODUCT INFORMATION

The descriptors and illustrations in this publication apply to the specific products and models described as at the date of issue. Under our policy of continuous product development, product specifications may change without notice. Prospective purchasers should therefore check with their retailer to ensure this publication correctly describes the products that are being offered for sale. All information supplied is to be used for general reference purposes only and is on the understanding that Electrolux Home Products Pty Ltd (Australia) and Electrolux (NZ) Ltd (New Zealand) will not be liable for any loss, liability or damage of whatever kind arising as a result of reliance on such information. Colours of products illustrated are as close as printing limitations allow. Electrolux will at all times comply with its obligations pursuant to law including Trade Practices (Australian Consumer Law) Act and Regulations.

### WARRANTY

This warranty only applies to Appliances purchased and used in Australia or New Zealand and used in normal domestic applications and is in addition to (and does not exclude, restrict, or modify in any way) any non-excludable statutory warranties in Australia or New Zealand. All warranties are subject to the conditions set out in the warranty card accompanying the product when purchased.

#### ELECTROLUX HOME PRODUCTS AUSTRALIA

telephone: 1300 363 640

fax: 1800 350 067

email: [customercare@electrolux.com.au](mailto:customercare@electrolux.com.au)

web: [www.electrolux.com.au](http://www.electrolux.com.au)

#### ELECTROLUX HOME PRODUCTS NEW ZEALAND

telephone: 09 573 2230

fax: 09 573 2221

email: [customercare@electrolux.co.nz](mailto:customercare@electrolux.co.nz)

web: [www.electrolux.co.nz](http://www.electrolux.co.nz)