

10kg front load washer, with SensorWash technology and 5 star energy and 4.5 star WELS rating. The washer features Wi-Fi connectivity, and the latest twin sensor wash technology, UltraMix system, Woolmark Blue certification and vapour refresh options



Product Details

FEATURES

High performance 1400 rpm spin cycle

Woolmark Blue Certified

Gentle Drum
More smaller holes allow water to pass in and out of the drum quickly, while also helping to reduce pulling of your clothes during high-speed spinning.

Extra-Large Door Opening

Add Clothes
With our Add Clothes function, you can quickly add those forgotten items. It can only be used when the water level is below the door and on programs where the water temperature is less than 60 degrees Celsius.

5 Energy Stars rated

Drum Light
Extra visibility with the brilliant LED Drum Light

Save your favourite program

EcoInverter
The ecoinverter motor delivers quieter operation, improvements in energy efficiency and improved durability, backed by a 10 year parts & labour inverter motor warranty ensuring peace of mind.

BENEFITS

Intuitive and intelligent

Keep colours bright, whites startling and blacks dark. Smart sensors automatically detect the soil and detergent levels to adjust the washing time for optimal, energy-efficient results that reduces unnecessary wear on fabrics.

Deeper clean

Say goodbye to detergent or soil residue on your freshly washed garments. UltraMix ensures detergent is fully dissolved before it reaches your fabrics for 40% less colour fading after 52 washes, even using cold water.

Hygienic clean. Vapour care

Electrolux front load washers with vapour option removes up to 99.2% of Der f1 (dust mite) and Fel d1 (cat allergen) and up to 99.9% of Staphylococcus aureus and Klebsiella pneumonia during a 40C cottons wash.

Hand it to us

You can safely trust your Electrolux to treat your delicate wool garments with utmost care. Our wool cycle is proven to be gentle enough even for your hand wash only woollens, keeping them as fresh and lovely as they felt when you first put them on.

Quietly efficient

Reduce your energy needs by up to 50% with a powerful and reliable EcoInverter motor. With the 10 year parts and labour inverter motor warranty your Electrolux will deliver, wash after wash, year after year. *vs Electrolux non inverter motors

Extra-Large Door Opening

The extra-large door opening was designed to make loading and unloading your machine a breeze. With easy access to the inside drum, you will enjoy better visibility so you never miss those smaller items.

Specifications

PRODUCT PROFILE

Washing Machine Type Front load washing machine

Domestic warranty details (yrs) 2

Front Loader Type Front Loader

Capacity (Kg) 10

Frontloader Wash system UltraMix, SensorWash

ENERGY FOR WASHING

Water Efficiency Star Rating 4.5

Water Consumption (litres) 86

Energy Efficiency Star Rating 5

Energy Consumption Warm (KWhr/yr) 214

Noise level dBA 52

DIMENSIONS

PRODUCT

Total height (mm) 850

Total width (mm) 600

Total depth (mm) 659

WASH PROGRAMS

Number of Programs 15

Frontloader Wash programs Delicate, Bedding, spin, Mixed, Energy Saver, Cotton, Tub clean, Wool, Daily 60, Vapour Refresh, Rinse & Spin, App Program, Quick 15, Favourite, Sports

Wash options wash temperatures, Prewash, vapour, spin selection, Stain, Time Manager, Delay End, SensorWash, Remote, Save Favourite, Child Lock

WASH PROGRAMS

Dispenser	pre-wash dispenser, Powder or liquid detergent dispenser, Fabric softener dispenser
-----------	-------------------------------------------------------------------------------------

Wash and Dry Programs	N/A
-----------------------	-----

Wash and Dry options	N/A
----------------------	-----

CONTROLS

Type of controls	rotary, Touch button
------------------	----------------------

Control panel colour	blue
----------------------	------

Functions available	prewash, time manager, delay end, Stain, Save Favourite, time remaining, Add Clothes, SensorWash, Vapour, Child Lock, Temperature, Remote
---------------------	-------------------------------------------------------------------------------------------------------------------------------------------

Type of display	LED
-----------------	-----

DOOR

Reversible	No
------------	----

Door Colour	Chrome
-------------	--------

BOWL

Drum material	stainless steel
---------------	-----------------

CABINET

Cabinet Colour	white
----------------	-------

Cabinet material	painted galvanized steel
------------------	--------------------------

DOOR

door lock	Yes
-----------	-----

TECHNICAL

Water pressure requirements min	50
---------------------------------	----

Water pressure requirements max	800
---------------------------------	-----

Water supply	cold
--------------	------

Inlet hose length	1350
-------------------	------

Inlet hose extension avail as spare part	Yes
------------------------------------------	-----

Drain hose length	1450
-------------------	------

Drain hose extension avail as spare part	Yes
------------------------------------------	-----

Service cord length	1500
---------------------	------

Motor type	Ecoinverter
------------	-------------

Maximum spin speed	1400
--------------------	------

Variable spin speed	Yes
---------------------	-----

Number of spin speeds	6
-----------------------	---

SHIPPING

Shipping Volume (m3)	38.6
----------------------	------

Shipping Weight (Kg)	77
----------------------	----

Pack Dimensions Height (mm)	870
-----------------------------	-----

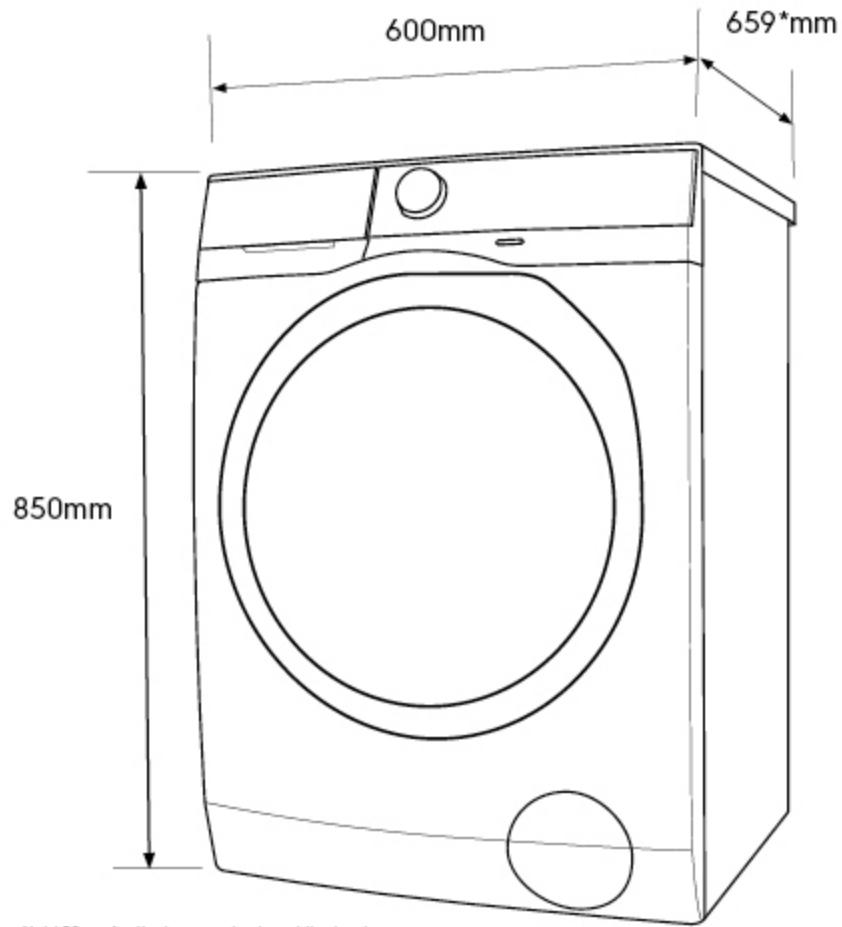
Pack Dimension Width (mm)	635
---------------------------	-----

Pack Dimension Depth (mm)	698
---------------------------	-----

STUFFING QUANTITIES

40ft HC	150
---------	-----

Dimensions



Terms and Conditions

IMPORTANT

This is a guide of product dimensions only. For complete installation instructions, refer to the manual provided with product.

PRODUCT INFORMATION

The descriptors and illustrations in this publication apply to the specific products and models described as at the date of issue. Under our policy of continuous product development, product specifications may change without notice. Prospective purchasers should therefore check with their retailer to ensure this publication correctly describes the products that are being offered for sale. All information supplied is to be used for general reference purposes only and is on the understanding that Electrolux Home Products Pty Ltd (Australia) and Electrolux (NZ) Ltd (New Zealand) will not be liable for any loss, liability or damage of whatever kind arising as a result of reliance on such information. Colours of products illustrated are as close as printing limitations allow. Electrolux will at all times comply with its obligations pursuant to law including Trade Practices (Australian Consumer Law) Act and Regulations.

WARRANTY

This warranty only applies to Appliances purchased and used in Australia or New Zealand and used in normal domestic applications and is in addition to (and does not exclude, restrict, or modify in any way) any non-excludable statutory warranties in Australia or New Zealand. All warranties are subject to the conditions set out in the warranty card accompanying the product when purchased.

ELECTROLUX HOME PRODUCTS AUSTRALIA

telephone: 1300 363 640

fax: 1800 350 067

email: customercare@electrolux.com.au

web: www.electrolux.com.au

ELECTROLUX HOME PRODUCTS NEW ZEALAND

telephone: 09 573 2230

fax: 09 573 2221

email: customercare@electrolux.co.nz

web: www.electrolux.co.nz