

12KG wash, 8KG dryer with IntelliQuick, wash a 12KG load in 45min, using load sensors to determine the quickest program. Also features SensorWash, CareDrum, Wash & Dry a Duvet in 60min. UltraMix technology that prevents visible detergent residue.



Product Details

FEATURES

Woolmark Blue

The Woolmark-certified cycle is gentle for your hand and machine washable wool garments.**The wool cycle is certified The Woolmark Company. Follow the garment care label for drying and other laundry instructions.

UltraMix

UltraMix technology thoroughly dissolves detergent, preventing visible residue on your clothes.

DelicatePlus

DelicatesPlus provides gentle care for all your delicates, helping them last for longer.

Sanitise

Sanitise program wash and steam above 60°C to remove more than 99.99% of common bacteria & viruses.*** Tested for Candida albicans, MS2 Bacteriophage and Escherichia coli in external test performed by Swissatest Testmaterialien AG in 2021 ("Test Report No. 202120117, 20232072").

DuvetCare 60

DuvetCare 60 uses heated vapour to treat and dry your king-sized duvets* or comforters in 60 mins.**King-sized duvets only suitable for in 12/13 kg machines. Smaller sized duvets suitable in all machines. **Compared to a normal wash and dry cycle.

CareDrum

CareDrum, with its unique water-cushion technology, gently cares and protects your laundry.

IntelliQuick

IntelliQuick selects the best suited programme based on your laundry load size for precise care.

SensorWash

SensorWash sensors help to remove up to 53 different stains without pre-treatment or pre-washing.* **Tested on 5kg load stains from food, household and personal products using Cotton 40°C cycle + StainPro option. Results may vary depending on factors such as models, load size, type and duration of soiling, detergent type and water hardness.

BENEFITS

WASHABLE WOOLLEN SAFE

Confidently dry your most precious woollen garments that are labelled machine or handwashable. Our Woolmark Blue certified dryers meet specified criteria that protects wool fibres from damage during the drying, helping to preserve your woollens for longer. *The wool cycle is certified by The Woolmark Company. Follow the garment care label for drying and other laundry instructions.

NO VISIBLE DETERGENT RESIDUE*

With the UltraMix technology, detergent and softener are thoroughly dissolved and activated before they enter the drum. This helps to ensure that your clothes are cleaned with no visible detergent residue at the end of the cycle.**Tested on a 3kg mixed load, using recommended powder detergent dosage. Results may vary depending on load size, detergent type and water hardness.

DEDICATED CARE FOR DELICATES

DelicatesPlus helps extend the lifetime of your favourite clothes with optimised drum and washing motion and speed. DelicatesPlus is designed to offer gentle care for all your delicates, including premium cottons helping them last by reducing wear and tear from washing over time.

SANITISE YOUR CLOTHES*

The Sanitise Program, verified by Swissatest, combines a wash cycle and steam at above 60°C to remove more than 99.99% of common bacteria and viruses*. Pollen and allergens are also reduced for hygienically clean clothes after every wash.* Tested for Candida albicans, MS2 Bacteriophage and Escherichia coli in external test performed by Swissatest Testmaterialien AG in 2021 ("Test Report No. 202120117, 20232072").

TOTAL DUVET CARE IN 60 MINS

DuvetCare 60 uses heated vapour to treat and dry your king-sized duvets* or comforters in just 60 minutes. The heated vapour helps reduce water and energy consumption** while removing odours like sweat and reducing dust mites in one simple programme. *King-sized duvets are only suitable for 12/13 kg machines. Smaller* sized duvets suitable for all machines. **Compared to a normal wash and dry cycle.

GENTLE CARE FOR YOUR LAUNDRY

CareDrum lets garments glide smoothly due to its elevated cushion-like drum pattern and lifter paddle. Thanks to the unique pattern of the drum, it is gentle on your clothes.

QUICK 12KG WASH IN 45 MINS

New IntelliQuick smartly selects the quickest programme based on your laundry load for precise care and cleans a full load in 45 minutes. This removes any pre-laundry stress by providing efficient cleaning with the precise level of care for your clothes, making them last longer without additional energy or water usage.

PERFECT WASHING WITH SENSORS

Wash out stubborn stains without the need for pre-treatments. SensorWash technology uses unique sensors to automatically detect dirt and soil levels and then adjusts the cycle duration accordingly. Can help to remove up to 53 different visible stains including oil, ketchup, fruits puree and pizza.**Tested on 5kg load stains from food, household and personal products using Cotton 40°C cycle + StainPro option. Results may vary depending on factors such as models, load size, type and duration of soiling, detergent type and water hardness.

Specifications

PRODUCT PROFILE

| | |
|----------------------|----------------------------|
| Washing Machine Type | Front load washing machine |
|----------------------|----------------------------|

| | |
|---------------------------------|---|
| Domestic warranty details (yrs) | 2 |
|---------------------------------|---|

| | |
|-------------------|--------------|
| Front Loader Type | Front Loader |
|-------------------|--------------|

| | |
|-----------------------|-----|
| Design family (eline) | UC3 |
|-----------------------|-----|

| | |
|---------------|----|
| Capacity (Kg) | 12 |
|---------------|----|

| | |
|-------------------------|----------|
| Frontloader Wash system | UltraMix |
|-------------------------|----------|

DRYER

| | |
|---------------|---|
| Capacity (Kg) | 8 |
|---------------|---|

| | |
|----------------------------|--------------|
| Dryer Lint filter position | front pocket |
|----------------------------|--------------|

DRYING PROGRAMS

| | |
|-----------------|---------------------------------|
| Drying Programs | extra dry,cupboard dry,iron dry |
|-----------------|---------------------------------|

DIMENSIONS

PRODUCT

| | |
|-------------------|-----|
| Total height (mm) | 850 |
|-------------------|-----|

| | |
|------------------|-----|
| Total width (mm) | 600 |
|------------------|-----|

| | |
|------------------|-----|
| Total depth (mm) | 659 |
|------------------|-----|

BUTTON FUNCTION

| | |
|----------------------------|--|
| Dimension Button Functions | power/on/off,Child Lock,Time Dry,Refresh,Dryness Level,Remote,Hygienic Care,Prewash,Stain Pro,Spin,Temp,Wash |
|----------------------------|--|

| | |
|----------------------|--------------|
| Reminder/ Indicators | end of cycle |
|----------------------|--------------|

ENERGY FOR WASHING

| | |
|-------------------|---|
| Options available | End Alert,Remote,Dryness Level,Time Dry |
|-------------------|---|

| | |
|-------------------|-------------------------|
| Degree of dryness | extra,cupboard,iron dry |
|-------------------|-------------------------|

| | |
|---------|-------------------------------|
| Venting | directional front vent grille |
|---------|-------------------------------|

ENERGY FOR WASHING

| | |
|------------------------------|-----|
| Water Efficiency Star Rating | 4.5 |
|------------------------------|-----|

| | |
|----------------------------|-----|
| Water Consumption (litres) | 102 |
|----------------------------|-----|

| | |
|-------------------------------|---|
| Energy Efficiency Star Rating | 5 |
|-------------------------------|---|

| | |
|-----------------------------------|-----|
| Energy Consumption Warm (KWhr/yr) | 281 |
|-----------------------------------|-----|

ENERGY FOR DRYING

| | |
|-------------------------------|---|
| Energy Efficiency Star Rating | 2 |
|-------------------------------|---|

| | |
|------------------------------|-----|
| Energy Consumption (KWhr/yr) | 355 |
|------------------------------|-----|

WASH PROGRAMS

| | |
|--------------------|----|
| Number of Programs | 13 |
|--------------------|----|

| | |
|---------------------------|--|
| Frontloader Wash programs | spin,Bedding,Cotton,Wool,Sports,Quick 15,Eco Cotton,DelicatesPlus,Sanitise,IntelliQuick,WashDry 60,DuvetCare 60,Vapour Refresh,Baby Care |
|---------------------------|--|

| | |
|--------------|--|
| Wash options | SensorWash,Remote,Child Lock,Start/Pause,Wash Mode |
|--------------|--|

| | |
|-----------|---------------------|
| Dispenser | detergent dispenser |
|-----------|---------------------|

| | |
|-----------------------|---|
| Wash and Dry Programs | Cottons,Eco Cotton,DuvetCare 60,Spin,Wool,IntelliQuick,WashDry 60 |
|-----------------------|---|

| | |
|----------------------|------------------------|
| Wash and Dry options | Time Dry,Dryness Level |
|----------------------|------------------------|

CONTROLS

| | |
|------------------|--|
| Type of controls | electronic rotary,Touch button,SmartSelect |
|------------------|--|

| | |
|----------------------|------|
| Control panel colour | grey |
|----------------------|------|

| | |
|---------------------|--|
| Functions available | Finish In indicator,APP notification,Spinning and draining phase indicator,Drying phase indicator,Wi-Fi connection indicator |
|---------------------|--|

| | |
|-----------------|-----|
| Type of display | LED |
|-----------------|-----|

DOOR

| | |
|-------------|-----------|
| Door Colour | Dark Onyx |
|-------------|-----------|

| | |
|-----------|-----|
| door lock | Yes |
|-----------|-----|

TECHNICAL

| | |
|---------------------------------|-----|
| Water pressure requirements min | 005 |
|---------------------------------|-----|

| | |
|---------------------------------|----|
| Water pressure requirements max | 08 |
|---------------------------------|----|

| | |
|--------------|------|
| Water supply | cold |
|--------------|------|

| | |
|------------|----------|
| Motor type | inverter |
|------------|----------|

BOWL

| | |
|---------------|-----------------|
| Drum material | stainless steel |
|---------------|-----------------|

CABINET

| | |
|----------------|-----------|
| Cabinet Colour | Dark Onyx |
|----------------|-----------|

| | |
|------------------|--------------------------|
| Cabinet material | painted galvanized steel |
|------------------|--------------------------|

SHIPPING

| | |
|----------------------|----|
| Shipping Weight (Kg) | 87 |
|----------------------|----|

| | |
|-----------------------------|-----|
| Pack Dimensions Height (mm) | 870 |
|-----------------------------|-----|

| | |
|---------------------------|-----|
| Pack Dimension Width (mm) | 635 |
|---------------------------|-----|

| | |
|---------------------------|-----|
| Pack Dimension Depth (mm) | 698 |
|---------------------------|-----|

TECHNICAL

| | |
|----------------|-------------|
| Rinsing system | extra rinse |
|----------------|-------------|

| | |
|--------------------|------|
| Maximum spin speed | 1400 |
|--------------------|------|

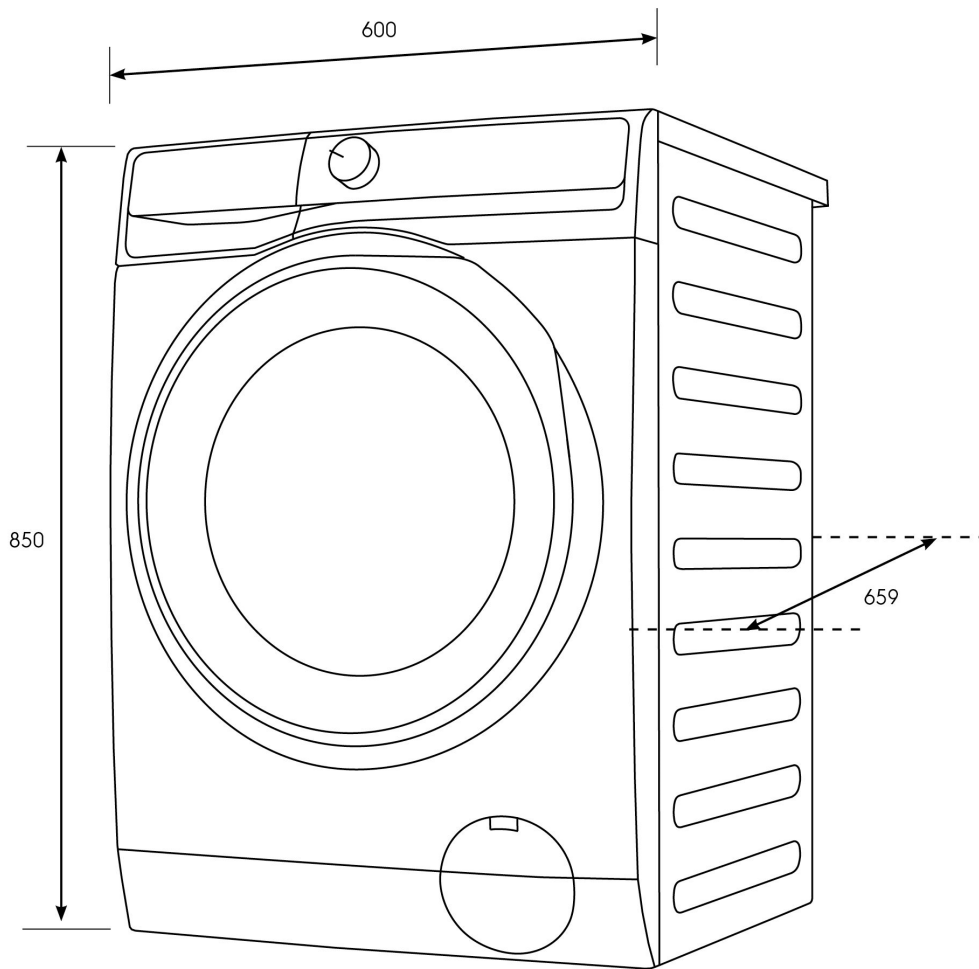
| | |
|---------------------|-----|
| Variable spin speed | Yes |
|---------------------|-----|

STUFFING QUANTITIES

| | |
|---------|-----|
| 40ft HC | 150 |
|---------|-----|

Dimensions

Model:
EWW1243R7SC



© 2024 Electrolux S.E.A PTE. LTD. ELX_IM_Diag_EWW1243R7SC_ANZ_Mar24

Terms and Conditions

IMPORTANT

This is a guide of product dimensions only. For complete installation instructions, refer to the manual provided with product.

PRODUCT INFORMATION

The descriptors and illustrations in this publication apply to the specific products and models described as at the date of issue. Under our policy of continuous product development, product specifications may change without notice. Prospective purchasers should therefore check with their retailer to ensure this publication correctly describes the products that are being offered for sale. All information supplied is to be used for general reference purposes only and is on the understanding that Electrolux Home Products Pty Ltd (Australia) and Electrolux (NZ) Ltd (New Zealand) will not be liable for any loss, liability or damage of whatever kind arising as a result of reliance on such information. Colours of products illustrated are as close as printing limitations allow. Electrolux will at all times comply with its obligations pursuant to law including Trade Practices (Australian Consumer Law) Act and Regulations.

WARRANTY

This warranty only applies to Appliances purchased and used in Australia or New Zealand and used in normal domestic applications and is in addition to (and does not exclude, restrict, or modify in any way) any non-excludable statutory warranties in Australia or New Zealand. All warranties are subject to the conditions set out in the warranty card accompanying the product when purchased.

ELECTROLUX HOME PRODUCTS AUSTRALIA

telephone: 1300 363 640

fax: 1800 350 067

email: customercare@electrolux.com.au

web: www.electrolux.com.au

ELECTROLUX HOME PRODUCTS NEW ZEALAND

telephone: 09 573 2230

fax: 09 573 2221

email: customercare@electrolux.co.nz

web: www.electrolux.co.nz