

7.5kg wash & 4.5kg dry washer dryer combination, with 4 star energy and 4.5 star WELS rating. The washer dryer features Woolmark® Blue certification (wash) and vapour refresh options



Product Details

FEATURES

Gentle Drum

More smaller holes allow water to pass in and out of the drum quickly, while also helping to reduce pulling of your clothes during high-speed spinning.

Extra-Large Door Opening

Add Clothes

With our Add Clothes function, you can quickly add those forgotten items. It can only be used when the water level is below the door and on programs where the water temperature is less than 60 degrees Celsius.

Save your favourite program

Woolmark Blue Certified

EcoInverter

The ecoinverter motor delivers quieter operation, improvements in energy efficiency and improved durability, backed by a 10 year parts & labour inverter motor warranty ensuring peace of mind.

BENEFITS

Extra-Large Door Opening

The extra-large door opening was designed to make loading and unloading your machine a breeze. With easy access to the inside drum, you will enjoy better visibility so you never miss those smaller items.

Quietly efficient

Reduce your energy needs by up to 50% with a powerful and reliable EcoInverter motor. With the 10 year parts and labour inverter motor warranty your Electrolux will deliver, wash after wash, year after year. *vs Electrolux non inverter motors

Hand it to us

You can safely trust your Electrolux to treat your delicate wool garments with utmost care. Our wool cycle is proven to be gentle enough even for your hand wash only woollens, keeping them as fresh and lovely as they felt when you first put them on.

Hygienic clean. Vapour care

Electrolux front load washers with vapour option removes up to 99.2% of Der f1 (dust mite) and Fel d1 (cat allergen) and up to 99.9% of Staphylococcus aureus and Klebsiella pneumonia during a 40C cottons wash.

Specifications

PRODUCT PROFILE

Washing Machine Type	Front load washing machine
----------------------	----------------------------

Domestic warranty details (yrs)	2
---------------------------------	---

Front Loader Type	combination front loader and dryer
-------------------	------------------------------------

Capacity (Kg)	7.5
---------------	-----

Frontloader Wash system	jetsystem
-------------------------	-----------

DRYER

Capacity (Kg)	4.5
---------------	-----

ENERGY FOR WASHING

Water Efficiency Star Rating	4.5
------------------------------	-----

Water Consumption (litres)	64
----------------------------	----

DIMENSIONS

PRODUCT

Total height (mm)	850
-------------------	-----

Total width (mm)	600
------------------	-----

Total depth (mm)	575
------------------	-----

DRYING PROGRAMS

Drying Programs	WashDry 60,timed programs,auto sensing
-----------------	--

Options available	Dryness Level,Time Dry
-------------------	------------------------

ENERGY FOR DRYING

Energy Efficiency Star Rating	2.5
-------------------------------	-----

Energy Consumption (KWhr/yr)	186
------------------------------	-----

ENERGY FOR WASHING

Energy Efficiency Star Rating 4

Energy Consumption Warm (KWhr/yr) 294

Noise level dBA 52

WASH PROGRAMS

Number of Programs 15

Frontloader Wash programs Delicate, Bedding, spin, Mixed, Energy Saver, Cotton, Tub clean, Wool, Daily 60, Vapour Refresh, Rinse & Spin, Sports, Quick 15, Favourite

Wash options wash temperatures, Prewash, vapour, spin selection, WashDry 60, Delay Start, Save Favourite, Child Lock

Dispenser pre-wash dispenser, Powder or liquid detergent dispenser, Fabric softener dispenser

Wash and Dry Programs WashDry 60

Wash and Dry options Time Dry, Dryness Level

ENERGY FOR DRYING

Water Consumption (litres) 53

CONTROLS

Type of controls rotary, Touch button

Control panel colour white

Functions available prewash, Save Favourite, delay start, time remaining, Dryness level, Add Clothes, Vapour, Child Lock, Wash/Dry Mode

Type of display LED

BOWL

Drum material	stainless steel
---------------	-----------------

CABINET

Cabinet Colour	white
----------------	-------

Cabinet material	painted galvanized steel
------------------	--------------------------

DOOR

Reversible	No
------------	----

door lock	Yes
-----------	-----

TECHNICAL

Water pressure requirements min	50
---------------------------------	----

Water pressure requirements max	800
---------------------------------	-----

Water supply	cold
--------------	------

Inlet hose length	1350
-------------------	------

Inlet hose extension avail as spare part	Yes
--	-----

Drain hose length	1450
-------------------	------

Drain hose extension avail as spare part	Yes
--	-----

Service cord length	1500
---------------------	------

Motor type	Ecoinverter
------------	-------------

Maximum spin speed	1200
--------------------	------

Variable spin speed	Yes
---------------------	-----

SHIPPING

Shipping Volume (m3)	33.9
----------------------	------

Shipping Weight (Kg)	64.5
----------------------	------

Pack Dimensions Height (mm)	870
-----------------------------	-----

Pack Dimension Width (mm)	635
---------------------------	-----

Pack Dimension Depth (mm)	614
---------------------------	-----

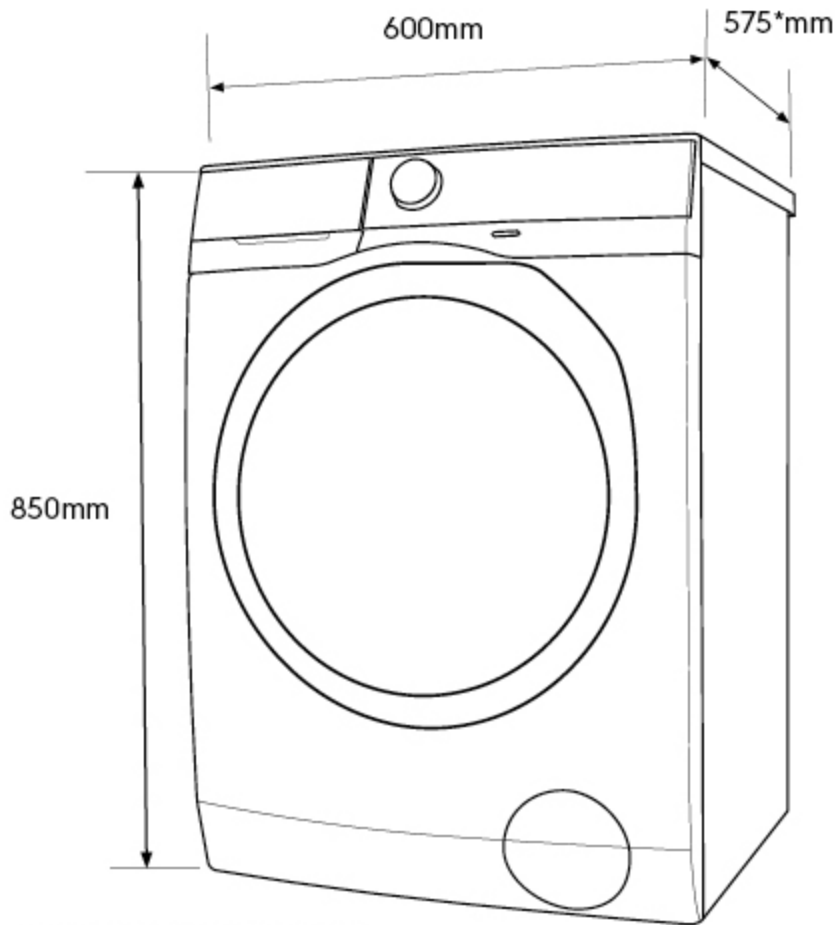
TECHNICAL

Number of spin speeds	4
-----------------------	---

STUFFING QUANTITIES

40ft HC	168
---------	-----

Dimensions



*Add 20mm for the hose protrusion at the back.

IMPORTANT

This is a guide of product dimensions only. For complete installation instructions, refer to the manual provided with product.

© 2019 Electrolux Home Products Pty Ltd. EDIM_Washer_WasherDryer_Jan19

Terms and Conditions

IMPORTANT

This is a guide of product dimensions only. For complete installation instructions, refer to the manual provided with product.

PRODUCT INFORMATION

The descriptors and illustrations in this publication apply to the specific products and models described as at the date of issue. Under our policy of continuous product development, product specifications may change without notice. Prospective purchasers should therefore check with their retailer to ensure this publication correctly describes the products that are being offered for sale. All information supplied is to be used for general reference purposes only and is on the understanding that Electrolux Home Products Pty Ltd (Australia) and Electrolux (NZ) Ltd (New Zealand) will not be liable for any loss, liability or damage of whatever kind arising as a result of reliance on such information. Colours of products illustrated are as close as printing limitations allow. Electrolux will at all times comply with its obligations pursuant to law including Trade Practices (Australian Consumer Law) Act and Regulations.

WARRANTY

This warranty only applies to Appliances purchased and used in Australia or New Zealand and used in normal domestic applications and is in addition to (and does not exclude, restrict, or modify in any way) any non-excludable statutory warranties in Australia or New Zealand. All warranties are subject to the conditions set out in the warranty card accompanying the product when purchased.

ELECTROLUX HOME PRODUCTS AUSTRALIA

telephone: 1300 363 640

fax: 1800 350 067

email: customercare@electrolux.com.au

web: www.electrolux.com.au

ELECTROLUX HOME PRODUCTS NEW ZEALAND

telephone: 09 573 2230

fax: 09 573 2221

email: customercare@electrolux.co.nz

web: www.electrolux.co.nz