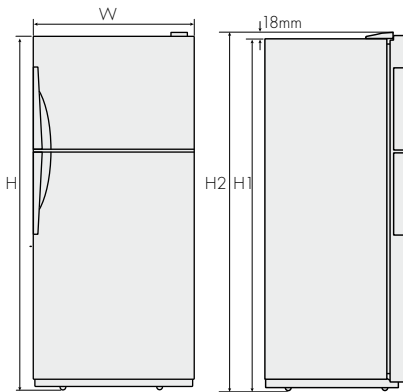


LARGE TOP MOUNT MODELS:

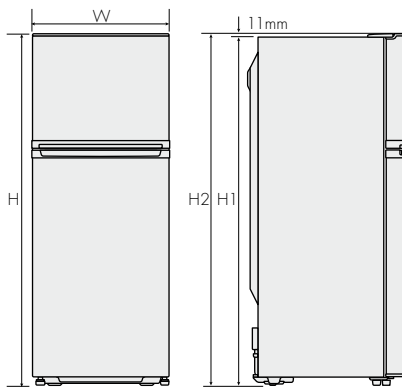
WTE5200SB, WTM5200PB, WTM5200WB, WTM4400WB, WTE4200SB, WTM4200PB, WTM4200WB, WTM3900SB, WTM3900WB



model	max door height (H)	cabinet height (H1)	total height (H2)	door width (W)	cabinet width (W1)	total depth (D)	cabinet depth (D1)	depth door open (D2)
WTE5200SB, WTM5200PB, WTM5200WB	1714	1702	1720	803	790	709	612	1450
WTM5204SB	1714	1702	1720	803	790	725	612	1450
WTM4400WB	1714	1702	1720	703	690	709	612	1350
WTM4404SB	1714	1702	1720	703	690	725	612	1350
WTE4200SB, WTM4200PB, WTM4200WB	1634	1622	1640	703	690	709	612	1350
WTM3900SB, WTM3900WB	1714	1702	1720	703	690	647	550	1288

COMPACT TOP MOUNT MODELS:

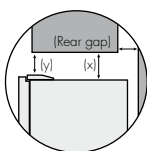
WTM3300PB, WTM3300WB, WTM3000PB, WTM3000WB, WTM2800PB, WTM2800WB, WTB2500PB, WTB2500WB, WTB2300PB, WTB2300WB, WTM2000WC, WTM1800WC



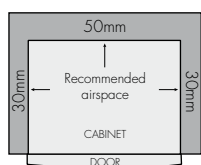
model	max door height (H)	cabinet height (H1)	total height (H2)	door width (W)	cabinet width (W1)	total depth (D)	cabinet depth (D1)	depth door open (D2)
WTM3300PB, WTM3300WB	1714	1702	1720	607	595	647	550	1193
WTM3000PB, WTM3000WB	1614	1602	1620	607	595	647	550	1193
WTM2800PB, WTM2800WB	1544	1532	1550	607	595	647	550	1193
WTB2500PB, WTB2500WB	1458	1450	1491	543	540	620	540	1094
WTB2300PB, WTB2300WB	1356	1348	1389	543	540	620	540	1094
WTM2000WC	1476	1472	1476	524	520	595	500	1070
WTM1800WC	1400	1400	1400	494	490	580	490	1029

RECOMMENDED AIRSPACE:

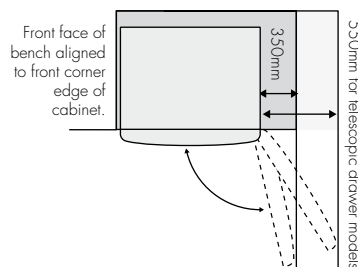
for all models



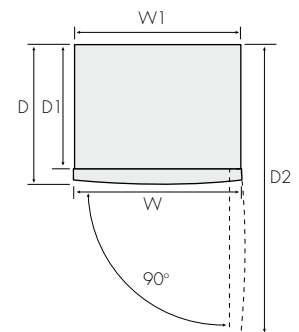
If you do not have a cupboard with a rear gap, the recommended clearance on top increases from 50mm to 90mm (x) and 32mm to 72mm (y).



Please note:
Doors are designed to sit proud of cabinetry (not flush).



When positioned in a corner area, spacing of at least 350mm on the fridge side will allow the doors to open enough to enable the removal of the crisper bins and shelves. This required clearance increases to 550mm for those models with telescopic extension slide-out bins.



*For those top mount and bottom mount models with telescopic extension slide-out bins or crispers being placed in location with the door opening against the wall, clearance requirement increases from 350mm to 550mm.
For information on installation of integration kits for top mounts, bottom mounts and pigeon pair models, please refer to www.westinghouse.com.au

© 2010 Electrolux Home Products Pty Ltd
WDIMFRITM_Jul10