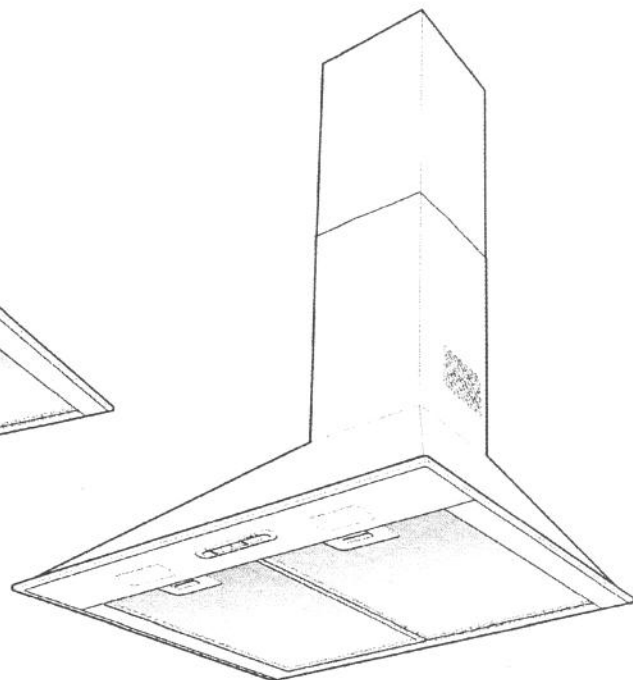
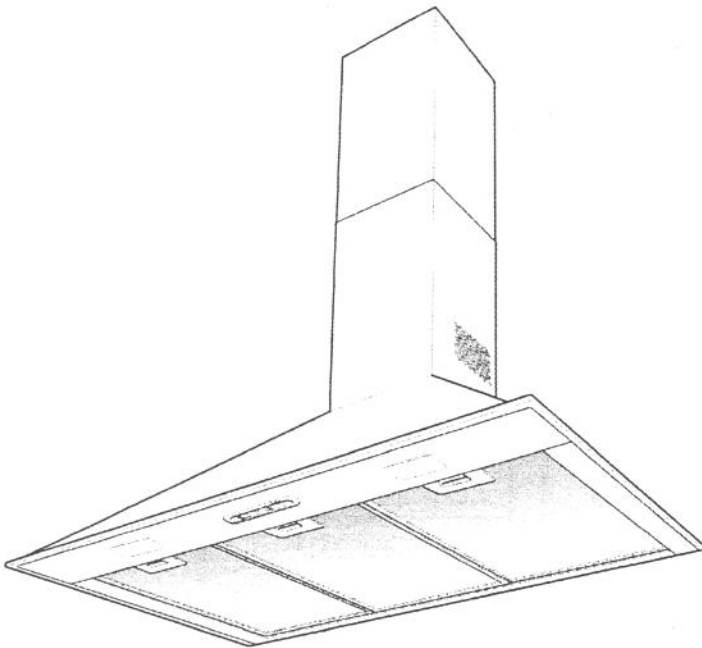
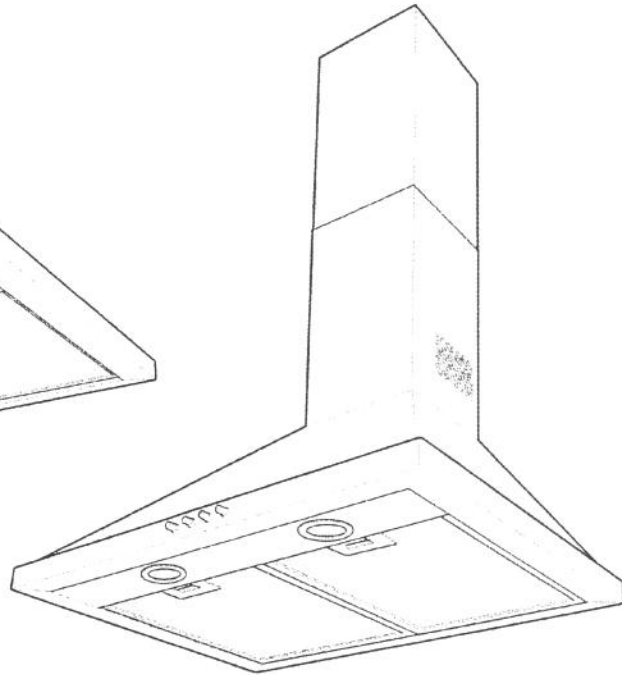
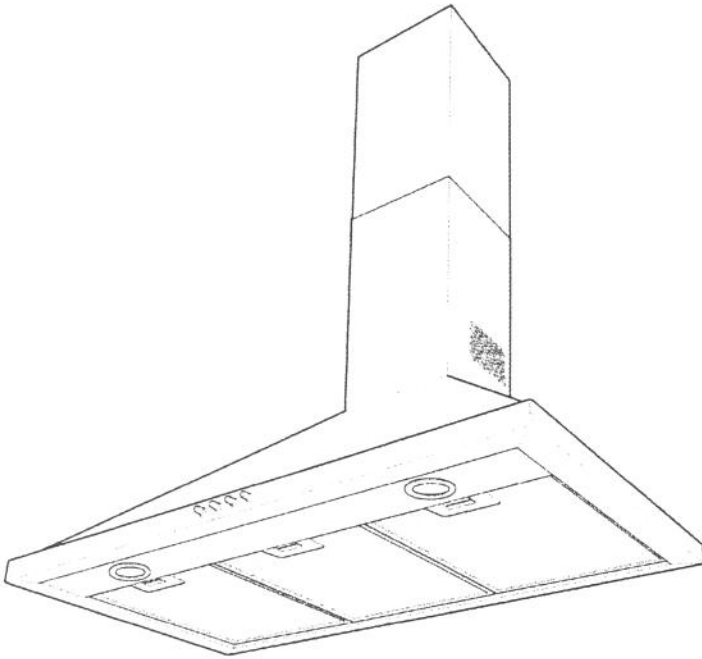


**\* ORIGINAL \***

**INSTALLATION / OPERATION MANUAL for COOKER HOODS  
MODELS: RCC930S, RCC630S, WRF930CS, WRF630CS,  
WRF930CW, WRF630CW**



The instructions in this manual are for domestic cooker hoods which have been manufactured to comply with Australian and New Zealand Standard AS/NZ3350.2.31.

### Safety Warnings

- ✂ Young children should be supervised to ensure they do not play with the cooker hood.
- ✂ The cooker hood is not intended for use by young children or infirm persons without supervision.
- ✂ Ensure the cooker hood is switched off before carrying out maintenance, to avoid any possibility of electric shock.
- ✂ Grease filters must be removed every four weeks (maximum) for cleaning to reduce the risk of fire.
- ✂ Do not **flamb'e** under the cooker hood.
- ✂ This cooker hood is not recommended for **barbeques**.
- ✂ The exhaust air from the cooker hood must not be discharged into any heating flue, which may carry combustion products from other sources.
- ✂ Exhaust air must not be discharged into a wall cavity, unless the cavity is designed for the purpose.
- ✂ There must be adequate ventilation of the room when the cooker hood is used at the same time as appliances burning gas or other fuels.
- ✂ Always cover lit gas burners with pots or pans when the cooker hood is in use.
- ✂ Always switch off gas burners before you remove pots or pans.

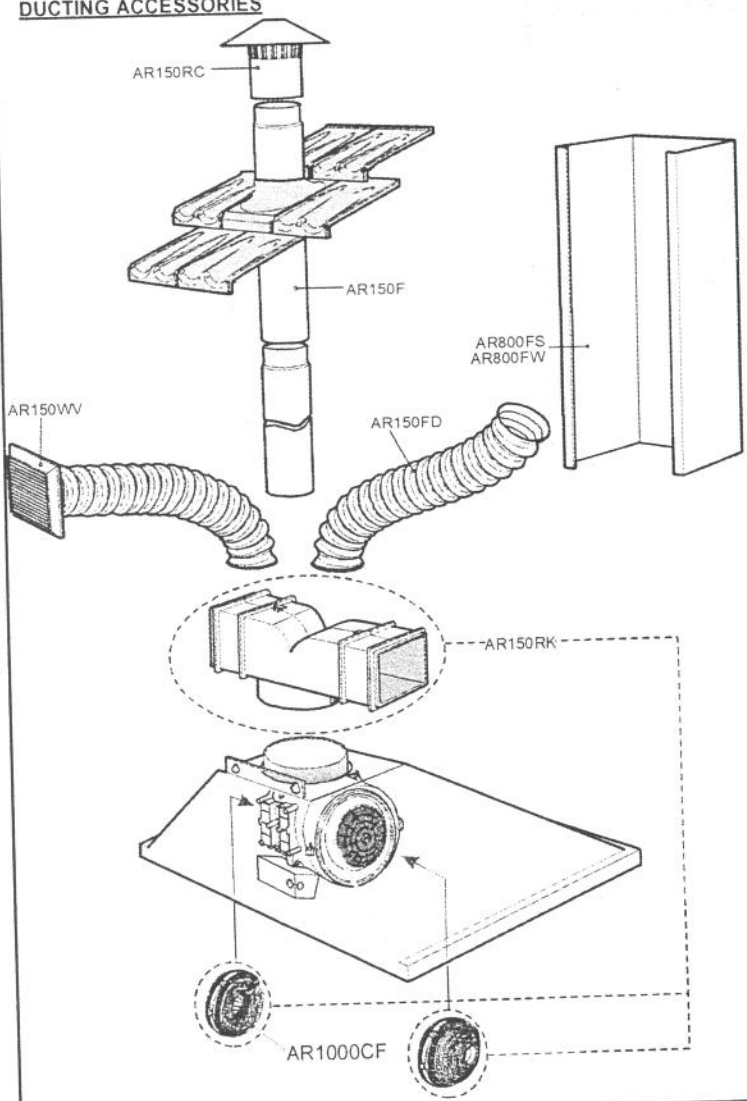
### Cleaning

Wipe the cooker hood body and flue with a sponge or soft cloth soaked in warm soapy water.  
**Do not** use oven cleaners or other abrasive materials.

### Electrical Connection

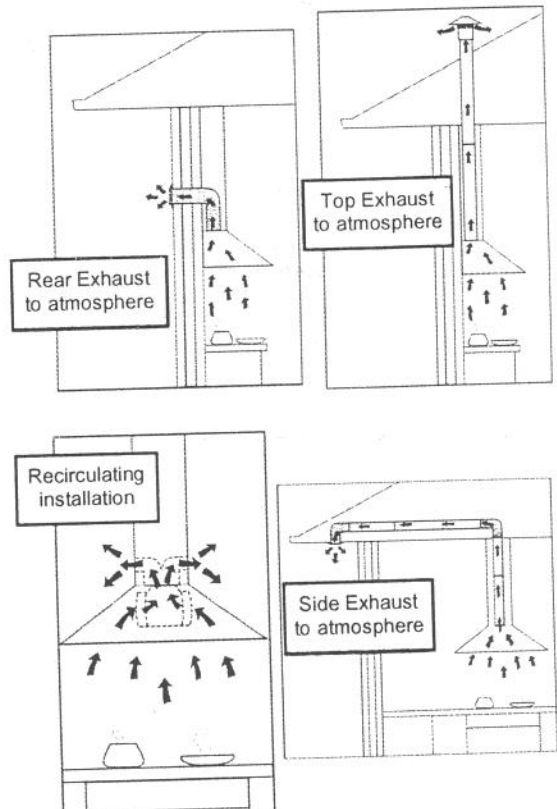
Check that the mains voltage matches with the voltage on the data plate inside the cooker hood.  
 Check that the installation complies with standards of local gas and electricity authorities.  
 If the supply cord is damaged, it must be replaced by the manufacturer or its service agent or a similarly qualified person in order to avoid a hazard.

#### DUCTING ACCESSORIES



The diagram shows various ducting accessories. At the top is a roof cowl (AR150RC) with a rain cap. Below it is a vertical flue (AR150F) with a wall vent kit (AR150VW) on the side. A flexible duct (AR150FD) is shown connecting to the flue. Two extra length flue covers are shown: AR800FS (black) and AR800FW (white). A recirculating kit (AR150RK) is shown as a separate component. At the bottom, two replacement carbon filters (AR1000CF) are shown.

#### INSTALLATION OPTIONS



The installation options are shown in four diagrams. 1. Rear Exhaust to atmosphere: A vertical duct goes through the back of the hood. 2. Top Exhaust to atmosphere: A vertical duct goes through the top of the hood. 3. Recirculating installation: The hood is shown with arrows indicating air being filtered and recirculated back into the room. 4. Side Exhaust to atmosphere: A horizontal duct goes through the side of the hood.

Part Numbers	Description
AR150RC	Roof Cowl.
AR150F	Flue 1200mm long.
AR150FD	Flexible duct - 1metre long when expanded.
AR150VW	Wall vent kit.
AR800FS	Extra length flue cover 1100mm length
AR800FW	Extra length flue cover 1100mm length white.
AR150RK	Recirculating kit.
AR1000CF	Replacement carbon filters.

# Installing the Cooker Hood

## COMPONENTS LIST

- 1 body assembly with grease filter.
- 1 telescopic flue cover set.
- 2 cover flue mounting brackets.
- 1 instruction book.
- 1 plastic bag containing screws for fixing telescopic flue covers.
- 1 sample stainless steel cleaning kit. (Not included with painted models).

## COMPONENTS NOT INCLUDED

- Fixings required to attach cover flue mounting brackets to the ceiling and wall.
- Fixings required to attach the cooker hood to wall.

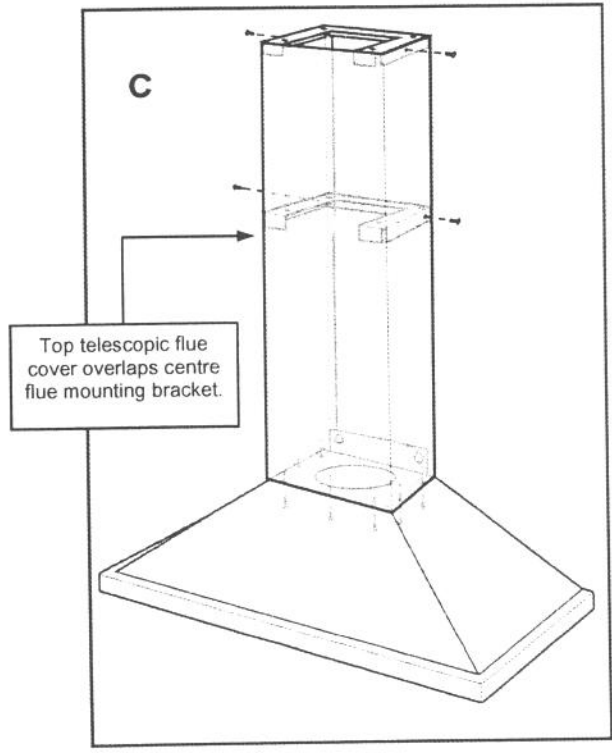
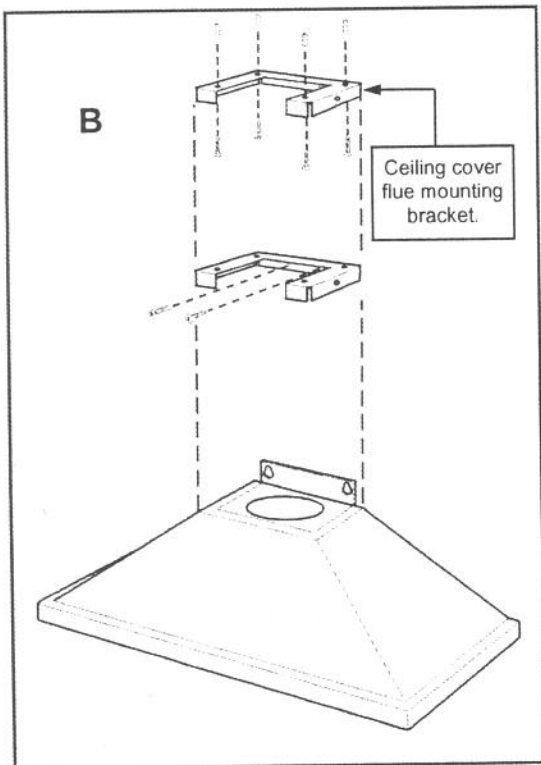
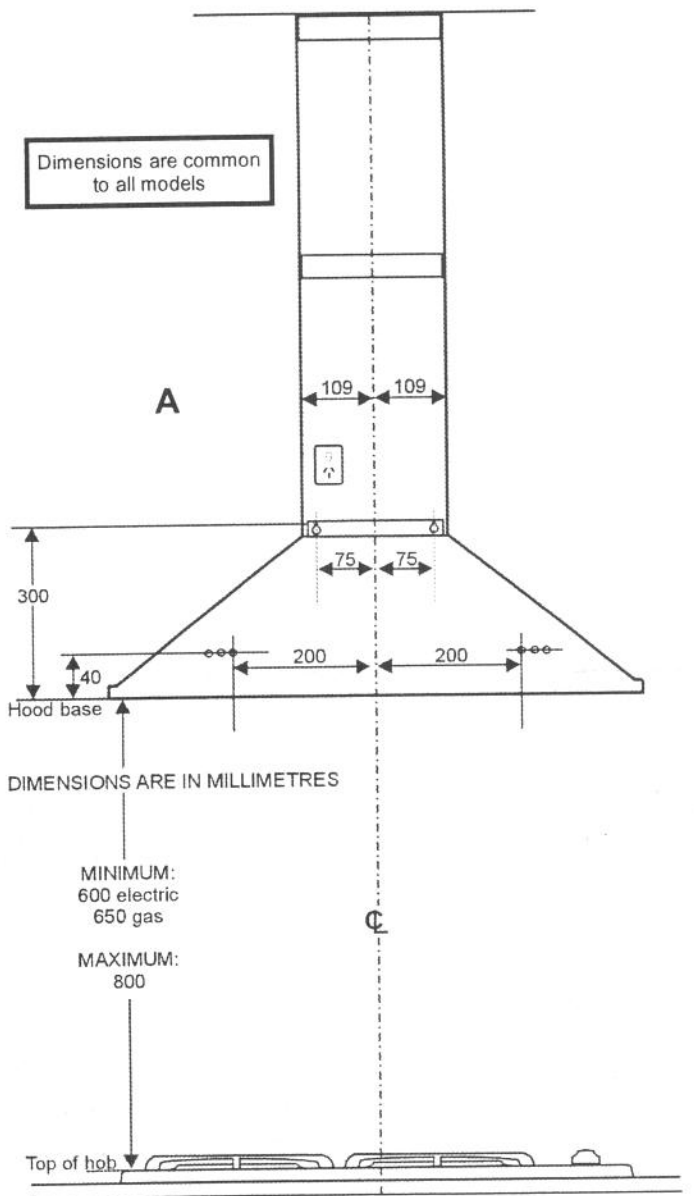
## INSTALLATION

- See diagram A for recommended working heights.
- Peel off any protective plastic covering before installation.
- See diagram B and C for cover flue mounting bracket locations and telescopic cover flue fixing points.

## RECOMMENDED INSTALLATION SEQUENCE

- Determine working height, mark wall to suit.
- Install ceiling cover flue mounting bracket.
- Install centre cover flue mounting bracket.
- Install cooker hood body.
- Install internal exhaust duct to suit installation type.
- Install top section of telescopic flue cover.
- Install bottom section of telescopic flue cover.

**NOTE :** Some installations may require telescopic flue cover cut to length. Cut with tin snips or a fine tooth hack saw blade, taking care not to distort or dent flue cover.



# Operating the Cooker Hood

Models RCC930S, RCC630S

## LIGHT OPERATION

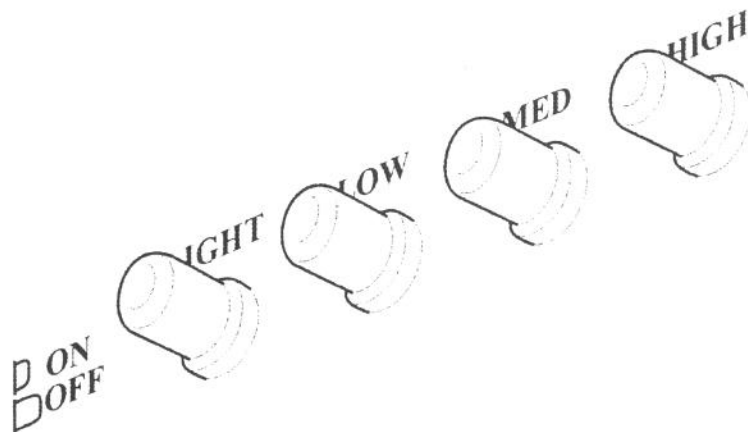
Depress light button to turn light ON.  
Press light button to turn light OFF.

## FAN OPERATION

The low fan speed button is also the fan ON – Off selector button.

- Depress low fan speed button to turn fan ON
- Select required fan speed
- Depress low fan speed button to turn fan OFF

The cooker hood fan speed is now pre-set and will come on at the last selected fan speed.



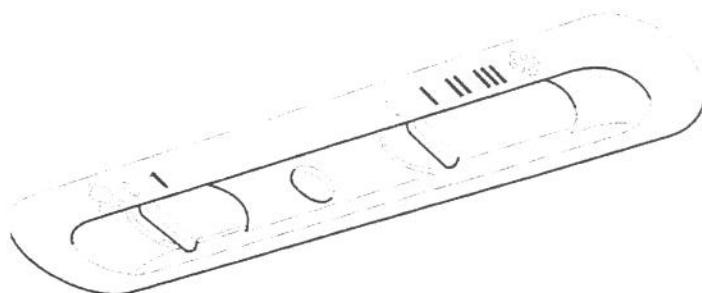
Models WRF930CS, WRF930CW, WRF630CS, WRF630CW

## SLIDE SWITCH CONTROLS

**Light switch:** this switch is used to turn the light fitted to the cooker hood on and off.

**Fan switch:** used to select fan speeds

- Position: 0: Off.
- Position: I: Low fan speed.
- Position: II: Med. Fan speed
- Position: III: High Fan speed



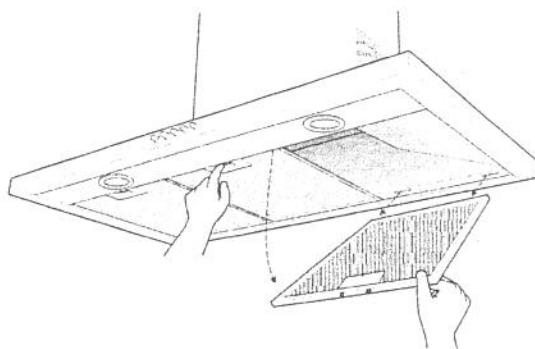
# Cooker Hood Maintenance

## COOKER HOOD

Clean the cooker hood body and flue with a sponge or soft cloth soaked in warm soapy water. **DO NOT** use oven cleaners or other abrasive materials

## GREASE FILTERS

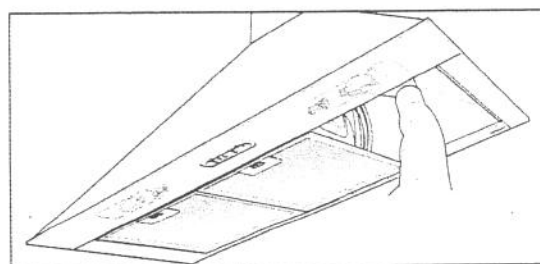
Clean filters every four weeks (**maximum**). This will reduce the fire risk from accumulated cooking oils and fats contained within the grease filters. Before you remove the grease filters, turn off the fan and lights. Remove the filters (see diagram opposite). Soak and agitate the filters in hot soapy water. **DO NOT** use oven cleaners or other caustic materials. Rinse, drain and shake well before replacing filters.



Models WRF930CS, WRF930CW, WRF630CS, WRF630CW

## REPLACE INCANDESCENT LAMP

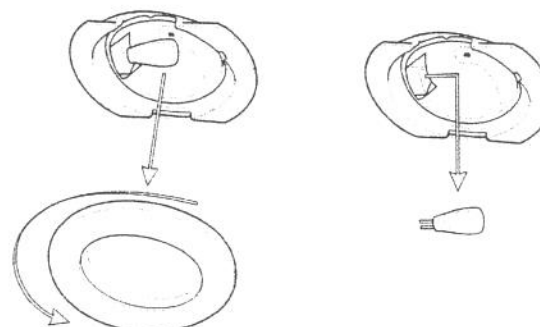
Turn off fan and lights.  
Remove grease filters to replace lamps (see diagram opposite).  
Replace lamp with 40W (maximum) E14 candle lamp.



Models RCC930S, RCC630S

## REPLACE HALOGEN LAMP

Turn off fan and lights. Replace lamp with 12 Volt, 20 Watt Halogen low voltage lamp (see diagram opposite).



## AUSTRALIA

### COOKING APPLIANCE SERVICE AND WARRANTY

#### ELECTROLUX HOME PRODUCTS PTY LTD AUSTRALIAN WARRANTY ON RANGEHOOD APPLIANCES

This appliance is warranted by the manufacturer, ELECTROLUX HOME PRODUCTS PTY LTD, ABN 51 004 762 341, "The Company", to be free from defects in materials and workmanship for a period of 24 months following the date of purchase. This period is 12 months if the appliance is used commercially.

**Legal Conditions:**

- During the warranty period listed above the Company or its service agent, will pay the cost of repairing or replacing all parts, excluding light bulbs which are defective
- The Company will decide if there are any defects in material and/or workmanship
- This warranty applies only for mainland Australia and Tasmania
- 24 month warranty period is only valid when your rangehood is used at home for you and your family
- It must be installed and operated following the Company's instructions
- It applies only to the original buyer
- It does not cover any service which is needed after an accident, alterations, misuse, fire or floods
- It does not apply to any loss caused by the non or ineffective operation of your rangehood or any of its parts
- It does not cover the cost of transport for service if you live outside the service area.
- This warranty is the only one given by the Company. No one has the authority to change, or add to, the obligations and liabilities listed in it.
- Nothing in the warranty, however, limits any rights you may have under the Trade Practices Act or any other Commonwealth or State legislation. Such rights cannot be changed by the conditions in this warranty.
- If you are the original buyer, please complete and keep the data shown at right.

To ensure that service either pursuant to the above understanding, or otherwise, is readily available, Electrolux has established, in all States, authorised Service Centres which are available to deal with service requirements.

For further information contact any of the Company's State Service Centres.

#### Service

- Contact the people who know your range-hood best when you need service - during or after warranty.
- We are the national service organisation authorised by the manufacturer to service their products
- Our technicians are factory trained
- We offer guaranteed approved replacement parts and a full labour warranty as part of our service

Please phone

# 131349

For the cost of a local call  
(Australia only)

#### Spare Parts

For approved replacement parts for your appliance,  
your nearest stockist is only a phone call away!

Please phone

# 131350

For the cost of a local call  
(Australia only)

PLEASE COMPLETE DATA BELOW FOR YOUR FUTURE REFERENCE

Model.....

Serial No.....

Purchased from.....

Purchase date.....

**From the Electrolux Group. The world's No. 1 choice.**  
KITCHEN, CLEANING AND OUTDOOR APPLIANCES

## NEW ZEALAND

### COOKING APPLIANCE SERVICE AND WARRANTY

#### ELECTROLUX HOME PRODUCTS (NZ) LTD NEW ZEALAND WARRANTY ON RANGEHOOD APPLIANCES

This appliance is warranted from the date of purchase within the following terms:

ELECTROLUX HOME PRODUCTS (NZ) Ltd (hereinafter called "The Company") or its agent will pay the cost of repairing or replacing all parts, excluding light bulbs, which the Company or its agent find defective for the period of 24 months following purchase.

**Conditions:**

- During the warranty period, the Company, or its service agent, will pay the cost of repairing or replacing all parts which are defective.
- If your appliance is used for business, the Consumer Guarantees Act 1993 does not apply
- The appliance must be installed and operated in accordance with the Company's instructions
- It does not apply to normal wear and tear, or any service which is needed after an accident, negligence, alterations or misuse
- It also does not apply to damage caused if your appliance has been dismantled, repaired or serviced by any person other than someone authorised by the Company
- It does not cover the cost of transport for service if you live outside the service area
- This warranty is the only express warranty given by the Company
- Nothing in this warranty is intended to limit the rights you may have under the Consumer Guarantees Act 1993, except to the extent permitted by that Act, and all provisions of this warranty shall be read as modified to the extent necessary to give effect to that intention

To ensure that service either pursuant to the above understanding or otherwise is readily available, Electrolux Home Products (NZ) Ltd, have appointed authorised agencies which are available to deal with service requirements. For further information contact your supplying dealer in the first instance, or Electrolux Home Products(NZ) Ltd.

ELECTROLUX HOME PRODUCTS (NZ) LTD      3 Niall Burgess Road, Mt Wellington  
AUCKLAND, NEW ZEALAND  
PHONE: (09) 573 2220

#### Service Centres

For your nearest approved service centre, please look in the Yellow Pages under:  
APPLIANCE REPAIRS  
OR  
CALL 0800 106 610

#### Spare Parts Centres

AUCKLAND

Electrolux Home Products (NZ) Ltd.  
3-5 Niall Burgess Road  
MOUNT WELLINGTON      (09) 5732220

Appliance Parts World Limited,  
154 Apirana Ave. GLEN INNES      (09) 5285555

Prime Distributors Limited,  
533H Great South Rd, MANUKAU      (09) 227 7369

WELLINGTON

Stemco,  
144 Queens Rd, Lower Hutt,  
WELLINGTON      (04) 569 8142

CHRISTCHURCH

R Redpaths,  
55 Ferry Road, CHRISTCHURCH      (03) 379 0446

Prime Distributors Ltd, Unit One,  
15 Talfourd Place, CHRISTCHURCH      (03) 377 1009

DUNEDIN

South City Champion,      (03) 455 5443

PLEASE COMPLETE DATA BELOW FOR YOUR FUTURE REFERENCE

Model.....      Serial No.....

Purchased from.....

Purchase date.....