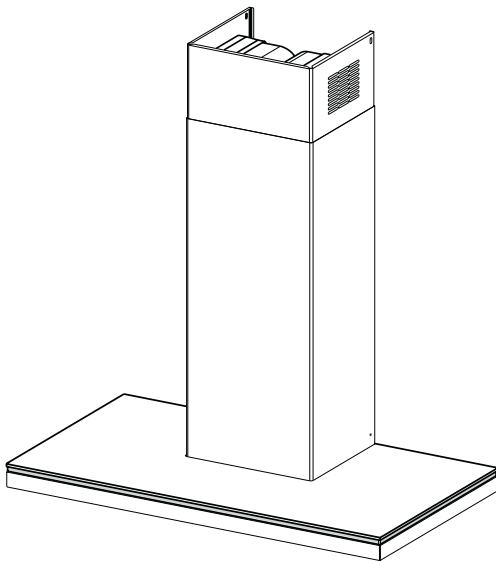


 **Electrolux**

EFC 9551



Instructions Manual

Instructions Manual

INDEX

RECOMMENDATIONS AND SUGGESTIONS	3
CHARACTERISTICS	4
INSTALLATION	5
USE	8
MAINTENANCE	10

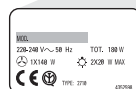
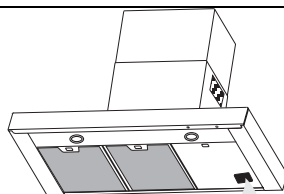
RECOMMENDATIONS AND SUGGESTIONS

INSTALLATION

- The manufacturer will not be held liable for any damages resulting from incorrect or improper installation.
- The minimum safety distance between the cooker top and the extractor hood is 650 mm.
- Check that the mains voltage corresponds to that indicated on the rating plate fixed to the inside of the hood.
- For Class I appliances, check that the domestic power supply guarantees adequate earthing.

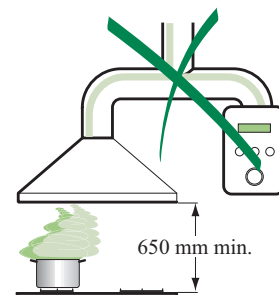
Connect the extractor to the exhaust flue through a pipe of minimum diameter 120 mm. The route of the flue must be as short as possible.

- Do not connect the extractor hood to exhaust ducts carrying combustion fumes (boilers, fireplaces, etc.).
- If the extractor is used in conjunction with non-electrical appliances (e.g. gas burning appliances), a sufficient degree of aeration must be guaranteed in the room in order to prevent the backflow of exhaust gas. The kitchen must have an opening communicating directly with the open air in order to guarantee the entry of clean air.



USE

- The extractor hood has been designed exclusively for domestic use to eliminate kitchen smells.
- Never use the hood for purposes other than for which it has been designed.
- Never leave high naked flames under the hood when it is in operation.
- Adjust the flame intensity to direct it onto the bottom of the pan only, making sure that it does not engulf the sides.
- Deep fat fryers must be continuously monitored during use: overheated oil can burst into flames.
- The hood should not be used by children or persons not instructed in its correct use.
- The appliance is not intended for use by young children or infirm persons without supervision.
- Young children should be supervised to ensure that they do not play with the appliance.

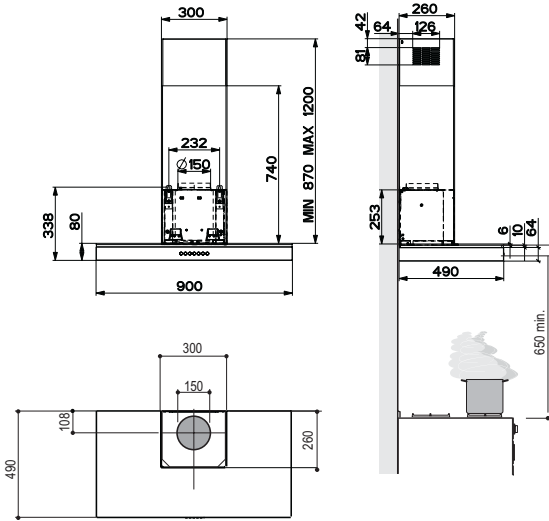


MAINTENANCE

- Switch off or unplug the appliance from the mains supply before carrying out any maintenance work.
- Clean and/or replace the Filters after the specified time period.
- Clean the hood using a damp cloth and a neutral liquid detergent.

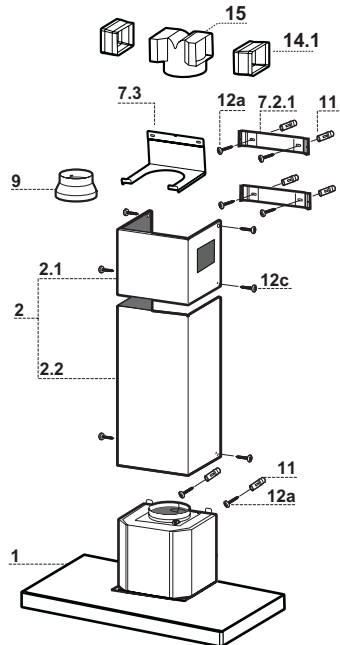
CHARACTERISTICS

Dimensions



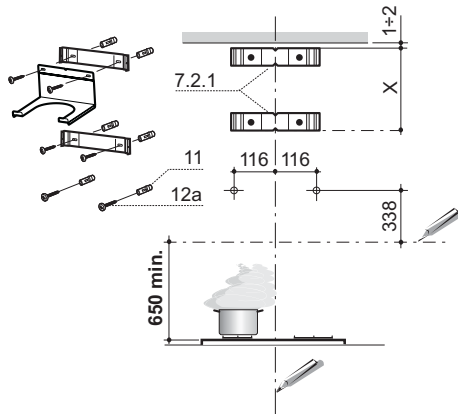
Components

Ref.	Q.ty	Product Components
1	1	Hood Body, complete with: Controls, Light, Blower, Filters
2	1	Telescopic Chimney comprising:
2.1	1	Upper Section
2.2	1	Lower Section
9	1	Reducer Flange \varnothing 150-120 mm
14.1	2	Air Outlet Connection Extension
15	1	Air Outlet Connection
Ref.	Q.ty	Installation Components
7.2.1	2	Upper Chimney Section Fixing Brackets
7.3	1	Air Outlet Connection Support
11	6	Wall Plugs
12a	6	Screws 4,2 x 44,4
12c	6	Screws 2,9 x 9,5
Q.ty	Documentation	
1	Instruction Manual	



INSTALLATION

Wall drilling and bracket fixing

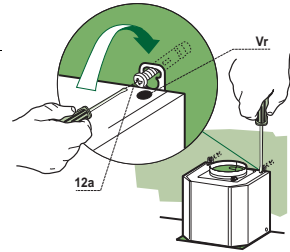


Wall marking:

- Draw a vertical line on the supporting wall up to the ceiling, or as high as practical, at the centre of the area in which the hood will be installed.
- Draw a horizontal line at 650 mm above the hob.
- Place bracket **7.2.1** on the wall as shown about 1-2 mm from the ceiling or upper limit aligning the centre (notch) with the vertical reference line.
- Mark the wall at the centres of the holes in the bracket.
- Place bracket **7.2.1** on the wall as shown at X mm below the first bracket (X = height of the upper chimney section supplied), aligning the centre (notch) with the vertical line.
- Mark the wall at the centres of the holes in the bracket.
- Mark a reference point as indicated at 116 mm from the vertical reference line and 338 mm above the horizontal reference line.
- Repeat this operation on the other side.
- Drill \varnothing 8 mm holes at all the centre points marked.
- Insert the wall plugs **11** in the holes.
- Fix the lower bracket **7.2.1** using the **12a** screws (4,2 x 44,4) supplied.
- Fix the upper bracket **7.2.1** and the air outlet connection support **7.3** together using the 2 screws **12a** (4,2 x 44,4) supplied.
- Insert the two screws **12a** (4,2 x 44,4) supplied in the hood body fixing holes, leaving a gap of 5-6 mm between the wall and the head of the screw.

Mounting the hood body

- Before attaching the hood body, tighten the two screws **Vr** located on the hood body mounting points.
- Hook the hood body onto the screws **12a**.
- Fully tighten support screws **12a**.
- Adjust screws **Vr** to level the hood body.

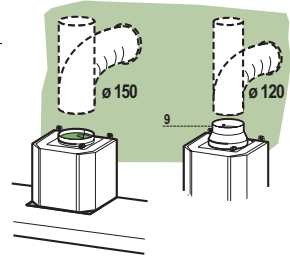


Connections

DUCTED VERSION AIR EXHAUST SYSTEM

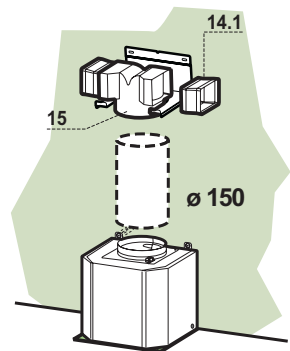
When installing the ducted version, connect the hood to the chimney using either a flexible or rigid pipe $\varnothing 150$ or 120 mm, the choice of which is left to the installer.

- To install a $\varnothing 120$ mm air exhaust connection, insert the reducer flange **9** on the hood body outlet.
- Fix the pipe in position using sufficient pipe clamps (not supplied).
- Remove any activated charcoal filters.



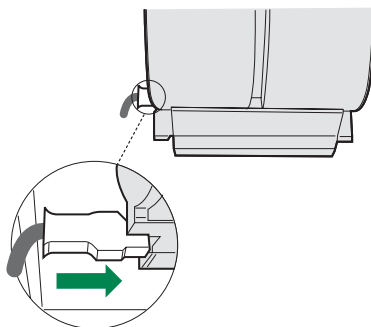
RECIRCULATION VERSION AIR OUTLET

- Put connection **15** into the connection support **7.3**.
- Insert the connection extension pieces laterally **14.1** in connection **15**.
- Make sure that the outlet of the extension pieces **14.1** is horizontally and vertically aligned with the chimney outlets.
- Connect the air outlet connection **15** to the hood body outlet using either a flexible or rigid pipe $\varnothing 150$ mm, the choice of which is left to the installer.
- Ensure that the activated charcoal filters have been inserted.



ELECTRICAL CONNECTION

- Connect the hood to the mains through a two-pole switch having a contact gap of at least 3 mm.
- Remove the grease filters (see paragraph Maintenance) being sure that the connector of the feeding cable is correctly inserted in the socket placed on the side of the fan.



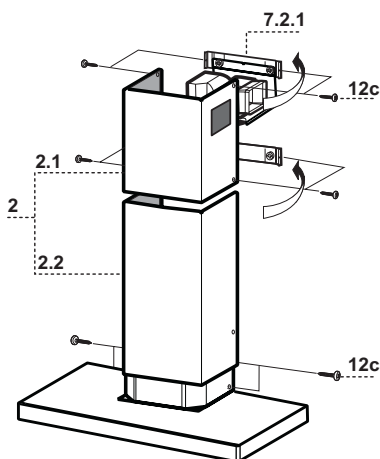
Flue assembly

Upper exhaust flue

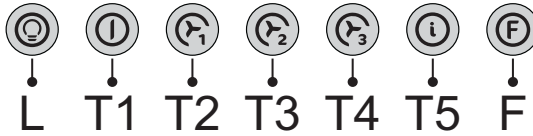
- Slightly widen the two sides of the upper flue and hook them behind the brackets **7.2.1**, making sure that they are well seated.
- Secure the sides to the brackets using the 4 screws **12c** (2,9 x 9,5) supplied.
- Make sure that the outlet of the extensions pieces is aligned with the chimney outlets.

Lower exhaust flue

- Slightly widen the two sides of the flue and hook them between the upper flue and the wall, making sure that they are well seated.
- Fix the lower part laterally to the hood body using the 2 screws **12c** (2,9 x 9,5) supplied.



USE



The hood can be switched on pushing directly onto the requested speed without firstly having to select 0/1 button .

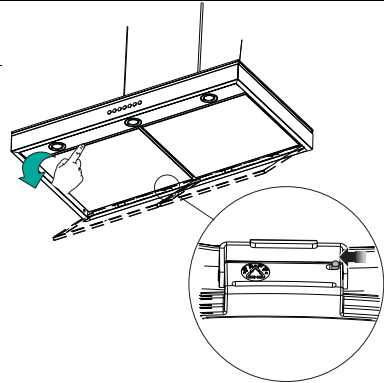
Touch control	Basic functions	Indicator lights	
	Dual Function		
L	When briefly pressed it switches the lighting system on and off.	Touch control unlit	Lights off
	When pressed for 2 seconds it switches the electroluminescent lighting on and off. This function is independent from the basic functions of the control unit. It is therefore possible to switch on simultaneously the hood lighting and the electroluminescent lighting. During the electroluminescent lighting mode the touch control is unlit.	Touch control unlit	Lights off
		Touch control lit	Lights on
		Touch control unlit	Electroluminescent lighting on
T1	When pressed the motor is stopped, regardless of the speed it is set to.	Touch control lit	Motor on
		Touch control unlit	Motor off
T2	When pressed the motor is set to the first speed	Touch control lit	
T3	By a brief pressing the motor is set to the second speed.	Touch control lit	Second speed on
	By pressing the touch control for approximately 2 seconds the Delay function is enabled, i.e. delayed shutdown of the appliance ensuring a complete elimination of the residual odours. This function can be activated at OFF-position and at 1°, 2° and 3° speeds. It can be stopped in advance by pressing any of the touch controls (T) with the exception of T3. The Delay function works according to the following scheme: 1° speed / OFF = 20 minutes 2° speed = 15 minutes 3° speed = 5 minutes	Flashing touch control	Delay function on
T4	When pressed the motor is set to the third speed	Touch control lit	

Touch control	Basic functions	Indicator lights	
T5	When pressed the motor is set to the intensive speed timed to 5 minutes. At the end of 5 minutes of intensive speed the hood starts again at the speed it was set to previously. In case the hood is set to the intensive speed directly from OFF-state it will then start from the first speed after 5 minutes of intensive speed.	Touch control lit	
F	When pressed for 4 seconds it resets the filter alarm signal indicated by flashing of the touch control T1 . This procedure can be carried out only when the motor is stopped.	Touch control lit	Metal grease filters saturation alarm. Metal grease filters need to be washed. The alarm starts up after 100 working hours.
		Flashing touch control	Charcoal odour filter saturation alarm. Charcoal filter has to be replaced and metal grease filters washed. The alarm starts up after 200 working hours. (Activation; check the paragraph "Odour filter")

MAINTENANCE

Cleaning the Comfort Panels

- Pull the Comfort Panel to open it.
- Disconnect the panel from the hood canopy by sliding the fixing pin lever.
- The comfort panel must never be washed in a dishwasher.
- Clean the outside using a damp cloth and neutral liquid detergent.
- Clean the inside as well using a damp cloth and neutral detergent; do not use wet cloths or sponges, or jets of water; do not use abrasive substances.
- When the above operation has been completed, hook the panel back to the hood canopy and close it by turning the knob in the opposite direction.



Grease filters

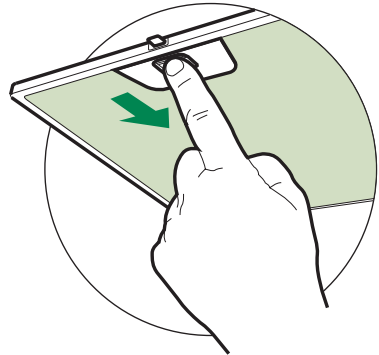
CLEANING OF THE METAL CASSETTE FILTERS

Alarm reset

- Stop the motor.
- Press the **F** -touch control for at least 4 seconds until the **T1** -touch control flashes.

Cleaning the filters

- Filters can be washed in the dish machine. They need to be washed every 2 months or even more frequently in case of particularly intensive use of the hood.
- Pull the Comfort Panel to open it.
- Remove the filters one by one pushing them towards the back side of the unit and simultaneously pulling downwards.
- Any kind of bending of the filters has to be avoided when washing them. Before fitting them again into the hood make sure that they are completely dry.
- When fitting the filters into the hood pay attention that they are mounted in correct position and that the handle faces outwards.
- Close the comfort panel.



Odour filter (Recirculation Version)

This filter cannot be washed or regenerated, and must be replaced when the **F** touch control starts to flash, or at least once every 4 months. The alarm is only triggered when the motor is on.

Enabling/Disabling the alarm signal

- In Recirculation Version Hoods, the Filter saturation Alarm must be enabled at the time of installation or later.
- Switch off the lights and the motor.
- Disconnect the mains power supply to the hood by removing the motor unit power supply cable connector, switching off the power supply at the Mains or turning the Main switch off.
- Restore the connection, pressing and holding **T2**.
- Release the touch control, touch controls **L**, **T2** and **F** will light up normally.
- **Within 3 seconds** press the touch control **F** until the key itself flashes to confirm as follows:
 - 2 flashes – Charcoal odour Filter saturation Alarm **ENABLED**
 - 1 flash - Charcoal odour Filter saturation Alarm **DISABLED**

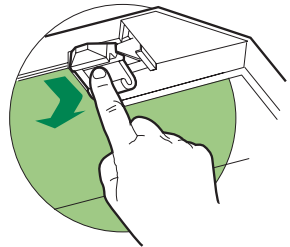
REPLACING THE CHARCOAL ODOUR FILTER

Reset the alarm signal

- Stop the motor.
- Press the touch control **F** for at least 4 seconds, until the touch control **T1** flashes.

Replace the Filter

- Pull the Comfort Panel to open it.
- Remove the metal grease filters.
- Remove the saturated charcoal filter, turning the fasteners provided.
- Fit the new filter and fasten it its correct position.
- Put the metal grease filters in their seats.
- Close the comfort panel.

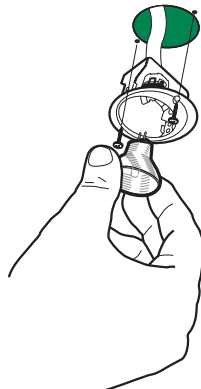


Lighting

LIGHT REPLACEMENT

20 W halogen light.

- Remove the 2 screws fixing the Lighting support, and pull it out of from the Hood.
- Extract the lamp from the Support.
- Replace with another of the same type, making sure that the two pins are properly inserted in the lamp holder socket holes.
- Replace the Support, fixing it in place with the two screws removed as above.





Dir. 89/336/CEE
73/23/CEE
93/68/CEE