

Thinking of you

 **Electrolux**



installation manual
built-in
refrigeration





Congratulations

Congratulations and thank you for choosing our refrigerator. We are sure you will find your new appliance a pleasure to use. Before you use the appliance, we recommend that you read through the entire user and installation manual, which provides the description of the appliance and its functions. To avoid the risks that are always present when you use an electric appliance, it is important that the appliance is installed correctly and that you read the safety instructions carefully to avoid misuse and hazards. We recommend that you keep this instruction booklet for future reference and pass it on to any future owners. After unpacking the appliance please check it is not damaged. If in doubt, do not use the appliance but contact your local Electrolux Customer Care Centre.

Contents

• General warnings	3
• Product on arrival	4
• Installation guide	5
• Package contents and part list	7
• General installation	8
• Notes	10



before you call

Please ensure you read the instruction manual fully before you call for service, or a full service fee could be applicable.



environmental tip

Information on disposal for users

- Most of the packing materials are recyclable. Please dispose of those materials through your local recycling depot or by placing them in appropriate collection containers.
- If you wish to discard this product, please contact your local authorities and ask for the correct method of disposal.

General Warnings

Please read the user manual carefully and store in a handy place for later reference. Pass the user manual on to possible new owners of the refrigerator. The symbols you will see in this booklet have these meanings:



warning

This symbol indicates information concerning your personal safety



caution

This symbol indicates information on how to avoid damaging the refrigerator



tips and information

This symbol indicates tips and information about use of the refrigerator



environmental tip

This symbol indicates tips and information about economical and ecological use of the refrigerator



warning

- When you dispose of your old refrigerators and freezers, remove any doors. Children can suffocate if they get trapped inside.
- This appliance contains insulation formed with flammable blowing gases. Avoid safety hazards by carefully disposing of this appliance.
- This appliance is not intended for use by persons (including children) with reduced physical, sensory or mental capabilities, or lack of experience and knowledge, unless they have been given supervision or instruction concerning use of the appliance by a person responsible for their safety.
- Don't use a steam cleaner. If live components come into contact with condensing steam, they may short-circuit or cause an electric shock.

R600a refrigerant

This appliance contains a small quantity of environmentally friendly, but flammable, non-synthetic R600a refrigerant:

- Ensure that the tubing of the refrigerant circuit is not damaged during transportation and installation.
- Leaking refrigerant may ignite vent area, if leak occurs.
- The room for installing appliance must be at least 1m³ per 8g of refrigerant. The amount of refrigerant in the appliance can be found on the rating plate inside the appliance.
- It is hazardous for anyone other than an Authorised Service Person to service this appliance. In Queensland Australia - the authorized Service Person MUST hold a Gas Work Authorisation for hydrocarbon refrigerants, to carry out servicing or repairs which involve the removal of covers.



caution

We strongly recommend that a professional builder/ cabinetmaker builds this unit into purpose built cabinetry in customer's kitchen. Electrolux cannot take responsibility for any installation issues when customer retrofits this product into existing cabinetry.

Read the following carefully to avoid damage or injury.

This symbol indicates never to do this

This symbol indicates always do this

It is important to use your refrigerator safely. Check these safety points before using your refrigerator.

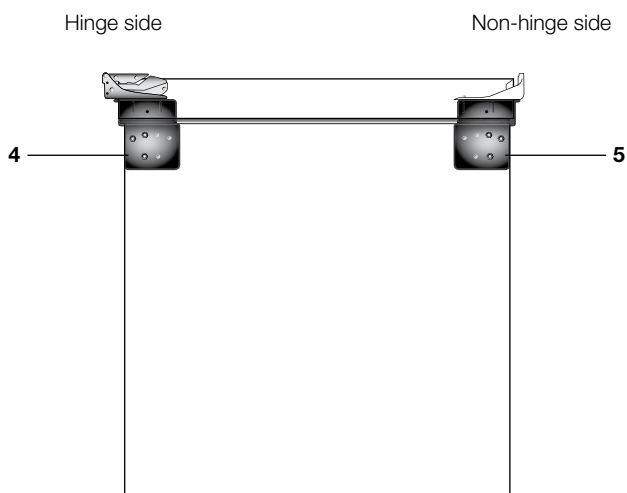
- The appliance must be plugged into its own dedicated 220-240V, 50Hz AC electrical outlet. The power socket must be accessible after the refrigerator is installed (e.g. located in an adjacent cupboard).
- Ensure that the electric outlet is properly earthed to ground. Consult a qualified electrician if you are unsure.
- If the power cord is damaged, it should be replaced by a service technician or a qualified person.
- Check the power cord can reach the power point.
- Don't plug your refrigerator into an extension cord or double adaptor.
- Unplug the appliance before cleaning and before changing the light bulb to avoid electric shock.
- Choose a location that is not too cold – the ambient temperature should be above 10°C.
- Put the refrigerator in a dry place avoiding areas of high moisture or humidity.
- In order to avoid a fire, the appliance must be kept clean.
- Keep ventilation openings, in the appliance enclosure or in the built-in structure, clear of obstruction.
- Young children should be supervised to ensure they do not play with this appliance.
- Never unplug the appliance by pulling on the power cord. Always grip the plug firmly, and pull straight out of the receptacle to prevent damaging the power cord.
- Don't plug your refrigerator into a timer fitted to the power point.
- This appliance is not suitable for use by young children or infirm persons, without supervision.
- Do not put the refrigerator in frosty or unprotected areas, for example in a garage or on a veranda.
- Do not put the refrigerator in direct sunlight, near stoves, fires or heaters.
- Do not put the refrigerator on an uneven surface.
- Do not store flammable materials in, on or under the appliance, e.g. aerosols.
- Never store fizzy drinks in the freezer compartment.

- ⊘ Never try to repair the refrigerator yourself.
- ⊘ Never use electric heaters or dryers to defrost the freezer because you can receive an electric shock.
- ⊘ Never use electrical appliances inside the refrigerator or freezer, unless they are of the type recommended by the manufacturer.
- ⊘ Do not use mechanical device or other means to accelerate the defrosting process, other than those recommended by the manufacturer.
- ⊘ Do not damage the refrigerant circuit.

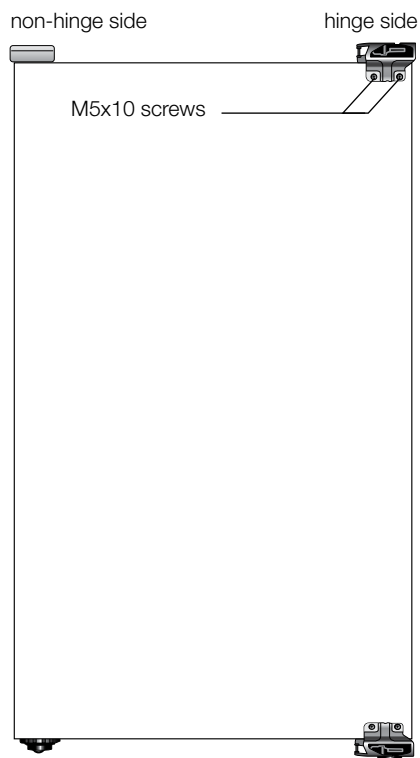
NOTE: You must read these warnings carefully before installing or using the refrigerator. If you need assistance, contact your Customer Care Department. The manufacturer will not accept liability, should these instructions or any other safety instructions incorporated in this book be ignored.

Product on arrival

Fridge top view

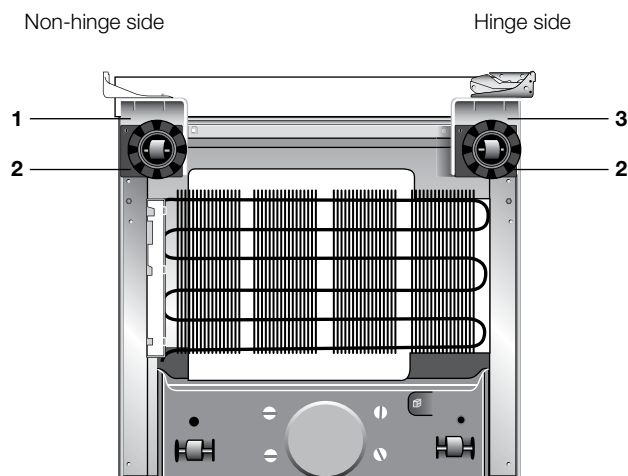


Fridge front view

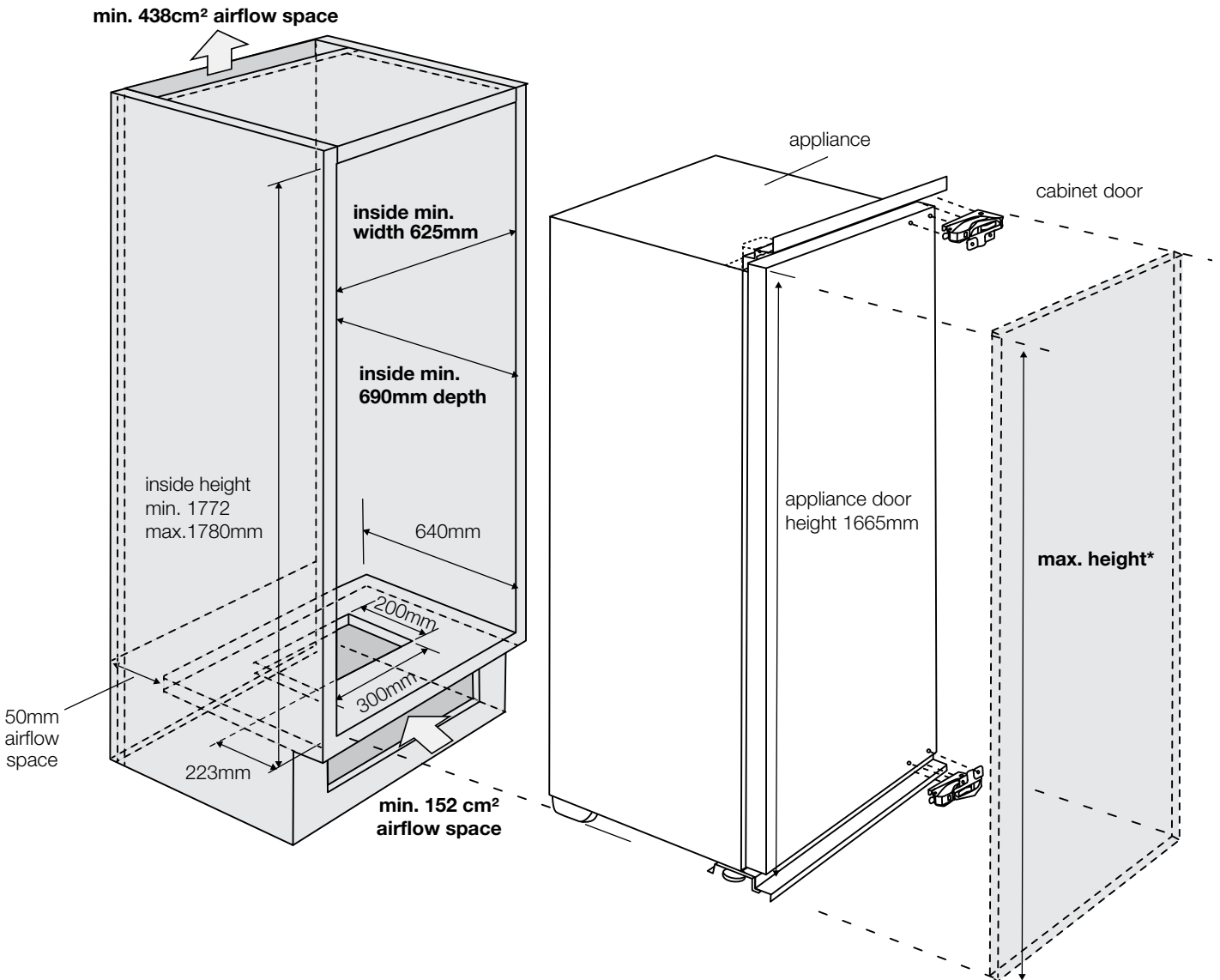


- 1 Bottom hinge bracket assembly (non-hinge side)
- 2 Bottom front roller assembly
- 3 Bottom hinge mounting bracket assembly
- 4 Top hinge mounting bracket assembly (hinge side)
- 5 Top hinge mounting bracket assembly (non-hinge side)

Fridge bottom view



Installation guide



***Cabinet door height should not exceed the top of appliance height by more than 100mm.**

! caution

We strongly recommend that a professional builder/cabinetmaker builds this unit into purpose built cabinetry in the customer's kitchen. Electrolux can not take responsibility for any installation issues when customer retrofits this product into existing cabinetry.

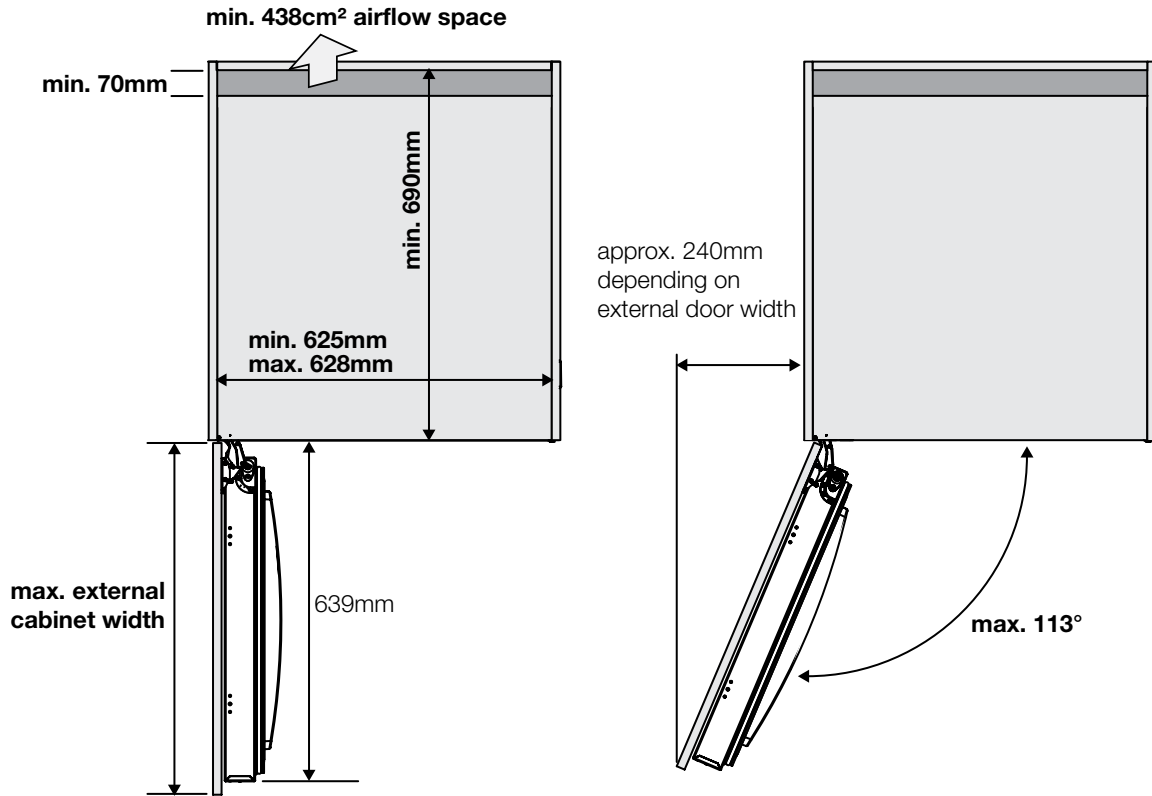
- *It is not recommended that the cabinet door height should exceed the appliance door by more than 100mm as the panel will not be supported and there is a risk of bowing or the door panel fouling on cabinetry.
- Cabinet door widths should not exceed total cabinet width to allow proper door opening.
- External dimensions depend on thickness of cabinet materials used.
- It is recommended that two people are required when handling the appliance.

! warning

The power socket must be accessible after the refrigerator is installed (e.g. located in an adjacent cupboard).

Decorative grills will require extra space to maintain the minimum airflow space of 152 cm².

NOTE: kitchen cabinetry is not included with the appliance.

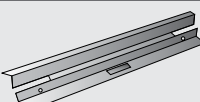
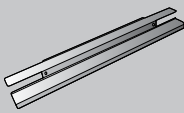
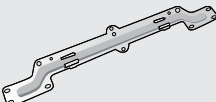
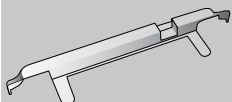
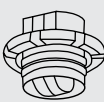


warning

Keep ventilation openings in the appliance enclosure or the built-in structure clear of obstruction.

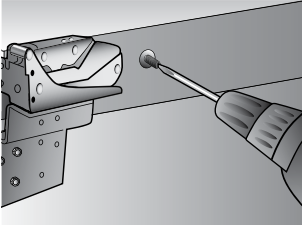
Package contents and parts list (1458525)

part	part no.	description	qty
	1	Side bracket non-hinge side	2
	1a	Side Bracket Insertion, non-hinge side	2
	2	M5X12 counrtsunk screw	4
	3	Door-on-door adjustable screw	2
	4	Hexagonal nut	2
	5	Washer (metal)	2
	6	Wood screw	33
	7	Template assembly	2
	8	Clamp cover	8
	9	Interior clamp	8
	10	Pan head screw M5x10	4
	11	Pan head screw M4x8	16
	12	Washer (nylon)	4

part	part no.	description	qty
	13	Assembly top hinge bracket cover	1
	14	Bottom hinge bracket cover	1
	15	Door hanger bracket	1
	16	Door Bracket cover	1
	17	Adjustable Roller (Assemble by threading plastic nut onto roller - flat face up)	2
		Installation manual	1

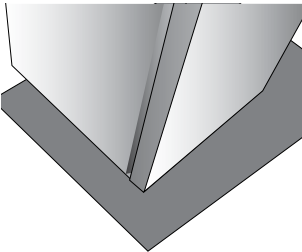
General Installation

1. Unpack the refrigerator, stand the refrigerator upright ensuring masonite or similar is placed under the refrigerator to protect the floor and the refrigerator from damage.
2. Assemble the two door-on-door adjustment screws (part no. 3) to the top flange of the refrigerator door. Screw on fully then back off 5 turns to allow for later adjustment.

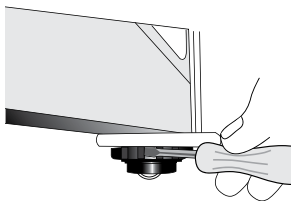


NOTE: Hold the power cord behind the refrigerator. Using a piece of string approximately 2m long, tie a knot at the plug end of power cord. Pull the other end of the string through the top ventilation gap until the power cord plug is pulled close enough to the top ventilation gap. Anchor the string with the power cord to be accessible later.

3. Utilising two people, carefully tilt then slide the refrigerator into the cabinet. Resting on rear rollers initially and then on the front rollers. Please take care to avoid damage to refrigerator, cabinet and floor.

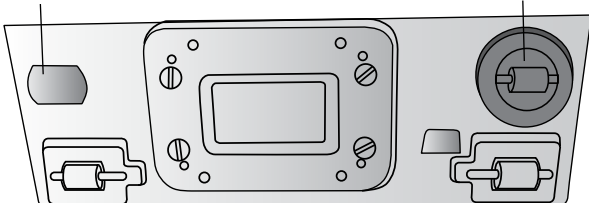


4. The refrigerator needs to be aligned with the front edge of the wooden cabinet. To do this, adjust the height of the refrigerator by turning the adjustment nuts on bottom front each side of the refrigerator. Turn the adjusting nuts by inserting a screwdriver into one of the slots and turn clockwise or anticlockwise to raise and lower. If further adjustment is required in the forward leaning direction insert the extra adjustable rollers and nuts (part no. 17) into the slots in the compressor base plate and readjust all nuts.

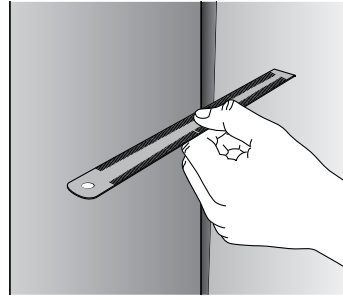


adjustable roller cutout

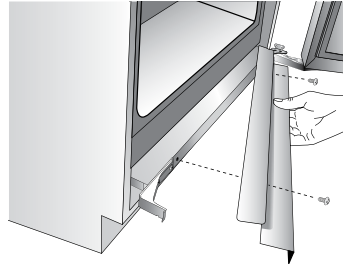
adjustable roller (part No.17)



5. Check alignment of refrigerator door to cabinet using a straight edge – such as a ruler – at two positions: top and bottom. Also make sure all 4 rollers are sitting flat on cabinet bottom.

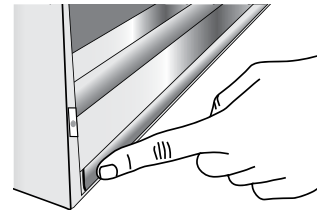
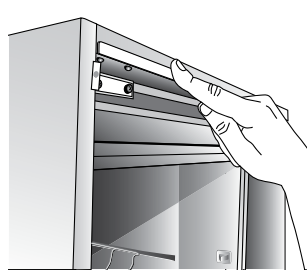


6. Pull the refrigerator slightly forward, open door and attach the bottom hinge bracket cover (part no. 14) and the top hinge bracket cover (part no. 13) with the nylon washer (part no.12) and the M5x12 Pan head screws (part no.10).



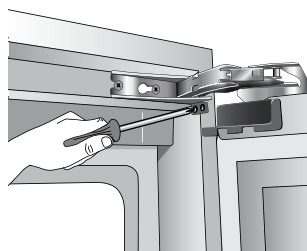
If it's not the case repeat step 4 & 5.

7. Move the refrigerator into the cabinet until both top and bottom cover flanges sit flush and touch the cabinet.



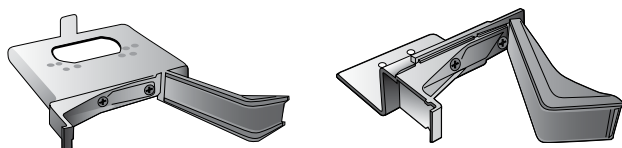
If this does occur repeat steps 4 & 5

8. Screw the top and bottom hinges to the cabinet using the wood screws supplied (part no. 6).



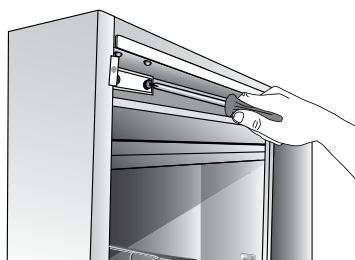
General Installation

9. Attach two Side Brackets (Part no.1) with two Side Bracket Insertions (Part no.1a) onto the non-hinge side top and bottom mounting bracket (already attached) by using two M5x12 countersunk screw (Part no.2).

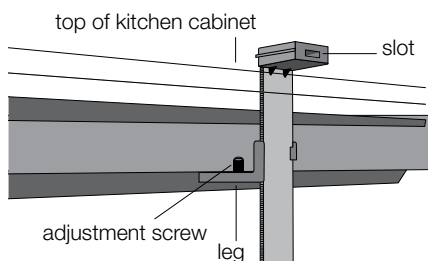


Bottom mount bracket Top mount bracket

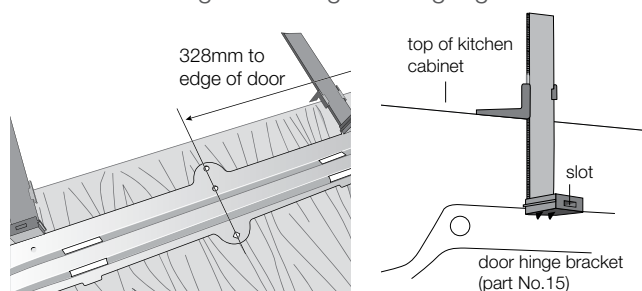
10. Slide across the top and bottom non-hinge side mountings until they touch the cabinet and tighten the M5 countersunk screws. Then using the wood screws, (part no. 6) attach the bracket to the cabinet.



11. Set the 2 template assembly plastic setting gauges (part no. 7) – one on each door-on-door adjustment screw (part No.13). Ensure that the leg of the plastic gauge rests on top of the door using door adjustment screws as a jig for left and right side. Adjust the gauge so the slot on the gauge matches the top face of the wooden cabinet as well as aligning with surrounding kitchen cabinetry.

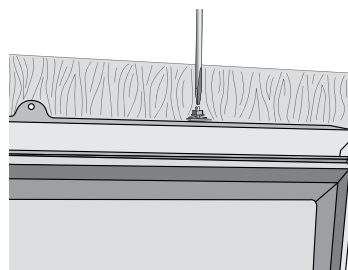


12. Mark your cabinet door from the hinge side edge at exactly 328mm. Set the door hanger bracket (part no. 15), aligning with previously marked line and using the previously set plastic gauges. Engage the tabs on the hanger bracket – one each into the plastic gauge without disturbing the setting on the gauges.

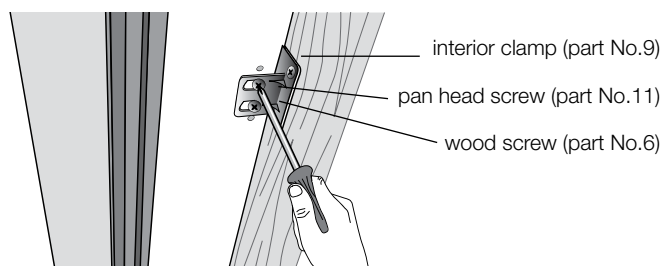


13. Attach the bracket with 9 of the wood screws (part no. 6). If cabinet door is warped washers may be used as spacers

14. Stand the cabinet door alongside the refrigerator door. Lift the kitchen door and engage the door hanger bracket (part No.15) (assembled in the previous step), ensuring that the two lugs on the bracket align with the door-on-door adjustment screws (part no. 3) on top of the refrigerator door. Turn the door-on-door adjusting screws clockwise or anti-clockwise using a screwdriver until the kitchen door aligns with the cabinet. Secure with the metal washer and hexagonal nut (part no. 5 and 4) on both door-on-door adjustable screws. Attach the door bracket cover (part no. 16) by sliding over the hanger bracket assembly.



15. Attach the 8x door bracket interior clamps (part no. 9). Apply M4x8 pan head screws (part no. 11) first and leave them loose. Tighten the wood screws (part no. 6) before tightening the M4x8 pan head screws making sure the door to door gap is even top to bottom and attaching the plastic bracket clamp covers (part no. 8).



16. Check the door gasket seals properly by ensuring wooden door does not touch the wooden cabinet.

Push the plastic bracket clamp covers (part no. 8) assembled in previous step until clicks into position.

17. Pull the power cord with previously tied string and plug into a power socket.

warning

The power socket must be accessible after the refrigerator is installed (e.g. located in an adjacent cupboard).

Congratulations this completes the installation procedure.

Electrolux Home Products Australia

telephone: 1300 363 640

fax: 1800 350 067

email: customercare@electrolux.com.auweb: www.electrolux.com.au**The Thoughtful Design Innovator.**

Do you remember the last time you opened a gift that made you say, "Oh! How did you know? That's exactly what I wanted!" That's the kind of feeling that we at Electrolux seek to evoke in everyone who chooses or uses one of our products. We devote time, knowledge, and a great deal of thought to anticipating and creating the kind of appliances that our customers really need and want.

This kind of thoughtful care means innovating with insight. Not design for design's sake, but design for the user's sake. For us, thoughtful design means making appliances easier to use and tasks more enjoyable to perform, freeing our customers to experience the ultimate 21st century luxury: ease of mind. Our aim is to make this ease of mind more available to more people in more parts of their everyday lives, all over the world.

The "Thinking of you" promise from Electrolux goes beyond meeting the needs of today's consumers. It also means we're committed to making appliances safe for the environment – now and for future generations.

Electrolux. Thinking of you.

Share more of our thinking at www.electrolux.com.au

