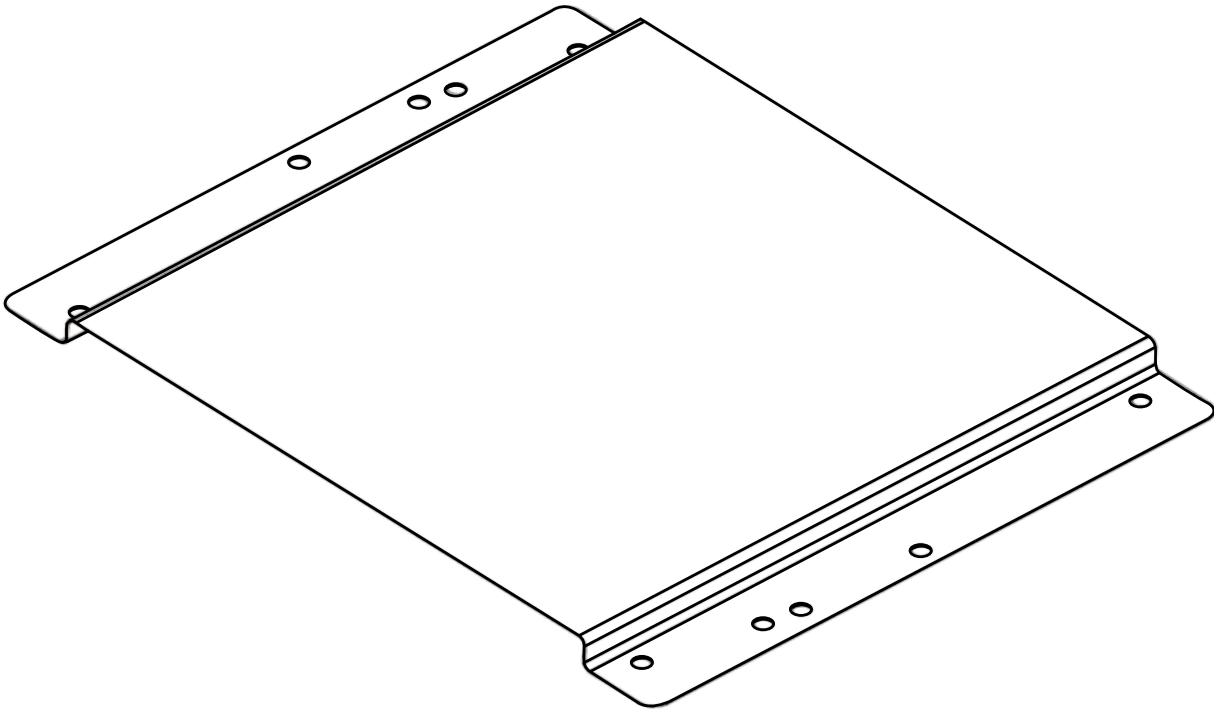




ASSEMBLY INSTRUCTIONS
BARRIER SHIELD



Barrier shield ACC072 is an optional accessory which can be used to shield the underside of the wok burner when the product is installed such that the bottom of the product can be accessed and accidentally touched.

Refer to the User Manual, page 18, for further instructions.

Pack contents:

- 1 x Barrier shield (305-5882-00)
- 3 x Fixing screws (305-3097-02)
- 1 x Instruction leaflet (305-6297-00)

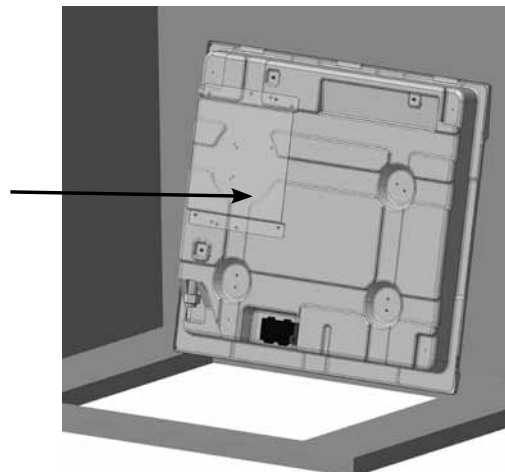
When attaching the barrier shield it is recommended to have another person hold the product on its side so that you can access the bottom of the product without needing to turn the product upside down.

To prevent damage to the product ensure all loose components are removed before turning the product on it's side.

The barrier shield can then be screwed into the base of the product using the holes indicated in the following diagrams.

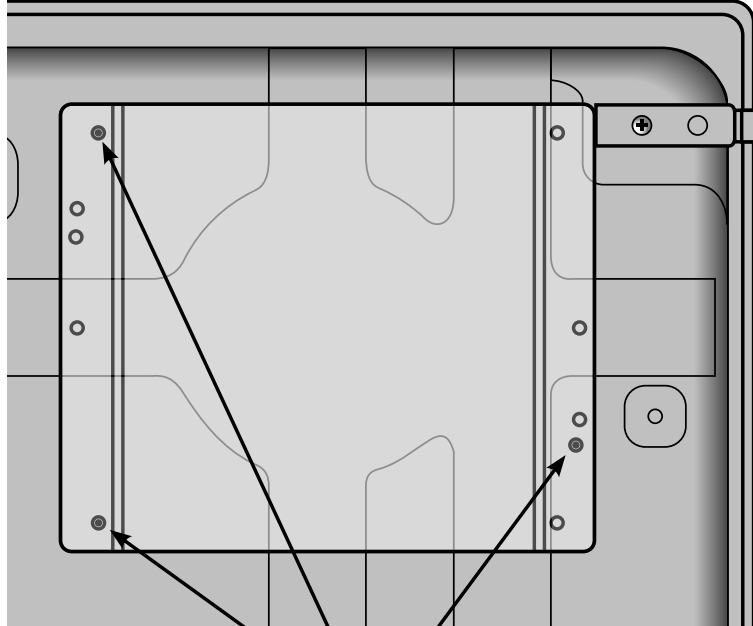
The barrier shield is attached to the underside of the product directly in line with the large wok burner.

This image is for the EHG645SA model. Refer to the following pages for the position of the shield placement for other models.



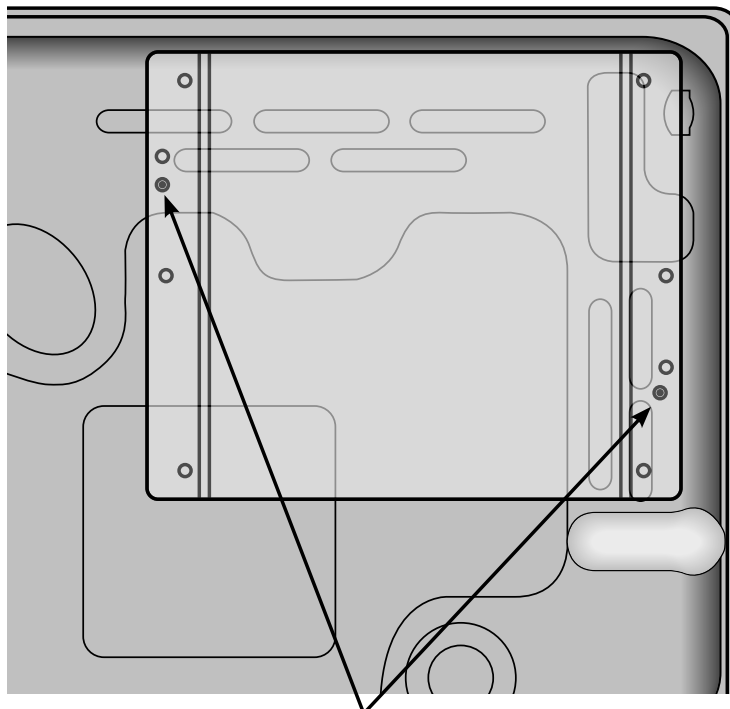


MODEL EHG645SA



Fixing screw locations

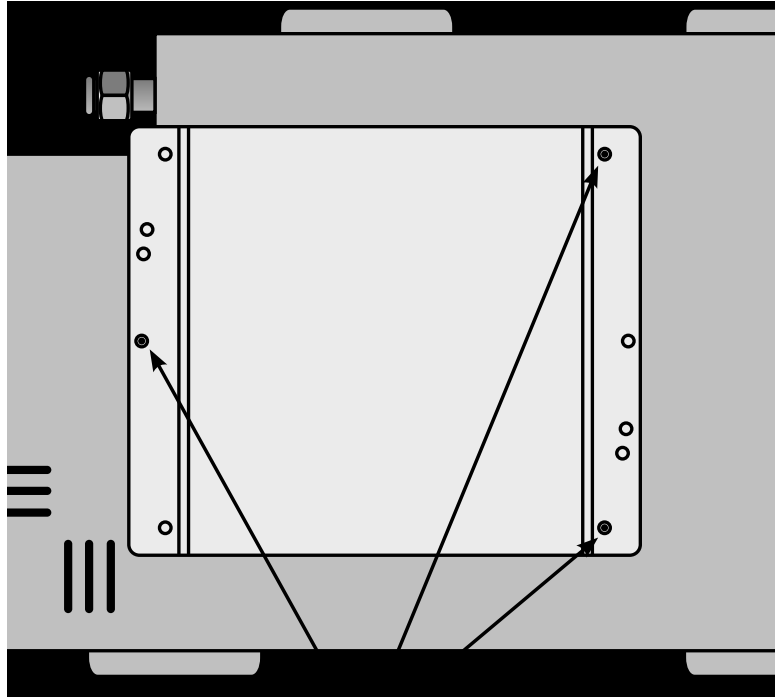
MODELS EHG953BA & EHG953SA



Fixing screw locations (2 only on these models)

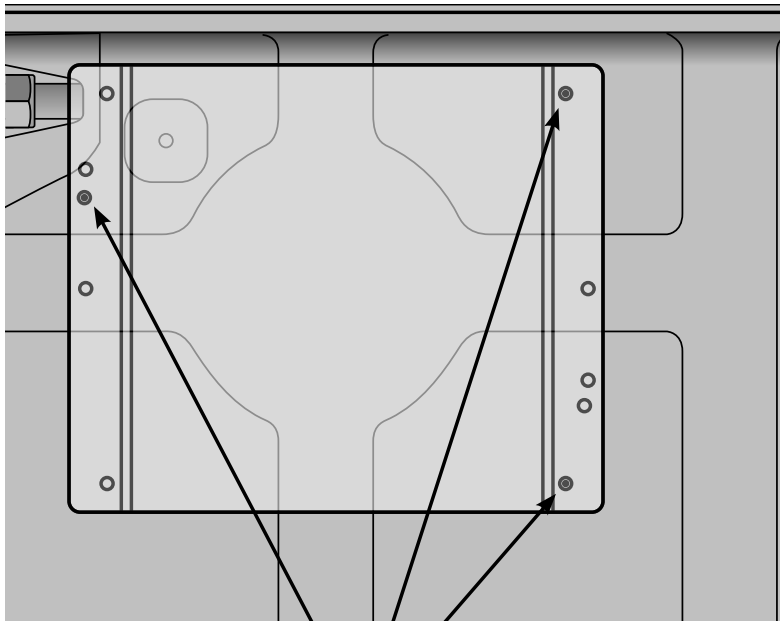


MODEL EHG313BA



Fixing screw locations

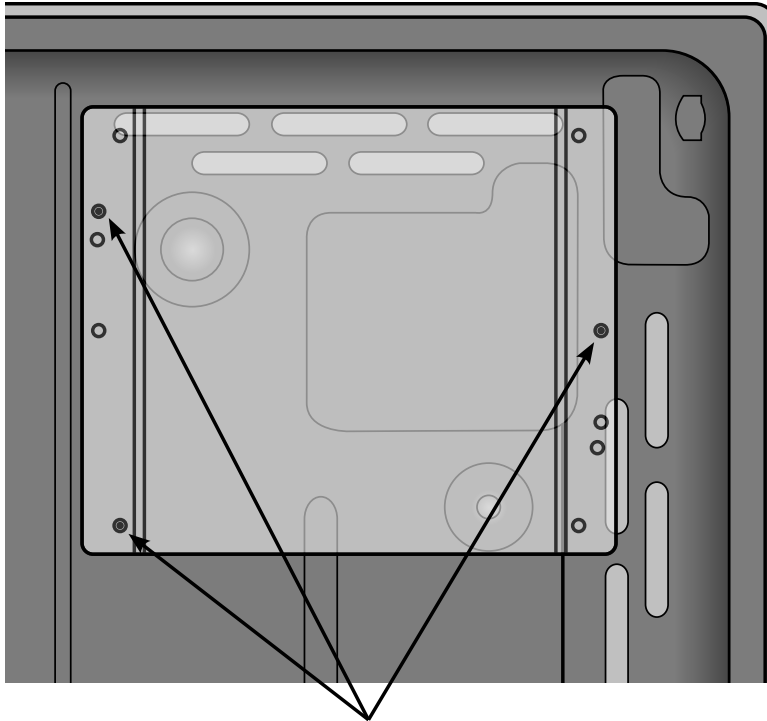
MODELS EHG755SA & EHG955SA



Fixing screw locations



MODEL EHG643BA & EHG643SA



Fixing screw locations

Important Notice

Before calling a Service Technician please check carefully the operating instructions, service booklet and the warranty terms and conditions.

<p>FOR SERVICE or to find the address of your nearest state service centre in Australia PLEASE CALL 13 13 49 For the cost of a local call (Australia only)</p>	<p>SERVICE AUSTRALIA  ELECTROLUX HOME PRODUCTS www.electrolux.com.au</p>	<p>FOR SPARE PARTS or to find the address of your nearest state spare parts centre in Australia PLEASE CALL 13 13 50 For the cost of a local call (Australia only)</p>
<p>FOR SERVICE or to find the address of your nearest authorised service centre in New Zealand FREE CALL 0800 10 66 10 (New Zealand only)</p>	<p>SERVICE NEW ZEALAND  ELECTROLUX HOME PRODUCTS www.electrolux.co.nz</p>	<p>FOR SPARE PARTS or to find the address of your nearest state spare parts centre in New Zealand FREE CALL 0800 10 66 20 (New Zealand only)</p>