

**BUILT-IN MICROWAVE**

WMB2802SA

## CONGRATULATIONS

Dear Customer,

Congratulations and thank you for choosing our microwave. We are sure you will find it a pleasure to use. Before you use the microwave, we recommend that you read through the relevant sections of this manual, which provides a description of your appliance and its functions.

To avoid the risks that are always present when you use an appliance, it is important that the appliance is installed correctly and that you read the safety instructions carefully to avoid misuse and hazards.

We recommend that you keep this instruction booklet for future reference and pass it on to any future owners.

After unpacking the appliance, please check it is not damaged. If in doubt, do not use the appliance but contact your local customer care centre.

### Conditions of use

This appliance is intended to be used in household and similar applications such as:

- Staff kitchen areas in shops, offices and working environments
- Farm houses
- By clients in hotels, motels and other residential type environments
- Bed and breakfast type environments
- Catering and similar non-retail applications

**Please ensure you read the instruction manual fully before you call for service, or a full service fee could be applicable.**

Record model and serial number here:

Model number:.....

Serial number:.....

PNC:.....

## CONTENTS

General warnings.....	3
Important safety instructions.....	4
Specifications.....	5
Installation.....	5
Radio interference.....	5
Grounding instructions.....	5
Microwave cooking principles.....	5
Before you call for service.....	6
Utensils guide.....	6
Part names.....	7
Control panel.....	7
How to set the controls.....	8
Setting Digital Clock.....	8
Setting The Timer.....	8
Microwave Cooking.....	9
Multi-Stage Cooking.....	9
Quick Start.....	9
Defrost.....	9
Child Lock.....	9
Favourite.....	9
Memory.....	9
Auto Cook Menu.....	10
Using the accessories.....	12
Additional functions.....	12
Cleaning and care.....	14
Troubleshooting.....	15
Installation.....	16
Electrical installation.....	16

Please read the user manual carefully and store in a handy place for later reference.

The symbols you will see in this booklet have these meanings:



### WARNING

This symbol indicates information concerning your personal safety.



### CAUTION

This symbol indicates information on how to avoid damaging the appliance.



### IMPORTANT

This symbol indicates tips and information about use of the appliance.



### ENVIRONMENT

This symbol indicates tips and information about economical and ecological use of the appliance.

## GENERAL WARNINGS

Please read the user manual carefully and store in a handy place for later reference. Pass the user manual on to possible new owners of the appliance.

Read the following carefully to avoid damage or injury.

*NOTE: You must read these warnings carefully before installing or using the appliance. If you need assistance, contact your Customer Care Department. The manufacturer will not accept liability, should these instructions or any other safety instructions incorporated in this book be ignored.*

### Children and vulnerable people safety.



### WARNING!

Risk of suffocation, injury or permanent disability.

- This appliance can be used by children aged from 8 years and above and persons with reduced physical, sensory or mental capabilities or lack of experience and knowledge if they are supervised by an adult or a person who is responsible for their safety.
- Do not let children play with the appliance. Children under 3 years must not be left unsupervised in the vicinity of the appliance.
- Keep all packaging away from children.
- Keep children and pets away from the appliance when it operates or when it cools down. Accessible parts are hot.
- If the appliance has a child safety device, we recommend that you activate it.
- Cleaning and user maintenance shall not be made by children without supervision.



### CAUTION!

It is important to use your appliance safely. Check these safety points before using your appliance.

### General safety

- Internally the appliance becomes hot when in operation. Always use microwave gloves to remove or put in accessories or ovenware.
- Do not use a steam cleaner to clean the appliance.
- Before maintenance isolate the power supply.
- If the door or door seals are damaged, the appliance must not be operated until it has been repaired by a competent person.
- The appliance is not intended to be operated by means of an external timer or separate remote-control system.

- Only a competent person can carry out any service or repair operation that involves the removal of a cover which gives protection against exposure to microwave energy.
- Do not heat liquids and other foods in sealed containers. They are liable to explode.
- Only use utensils that are suitable for use in microwaves.
- When heating food in plastic or paper containers, keep an eye on the appliance due to the possibility of ignition.
- The appliance is intended for heating food and beverages. Drying of food or clothing and heating of warming pads, slippers, sponges, damp cloth and similar may lead to risk of injury, ignition or fire.
- If smoke is emitted, switch off or unplug the appliance and keep the door closed in order to stifle any flames.
- Microwave heating of beverages can result in delayed eruptive boiling. Care must be taken when handling the container.
- The contents of feeding bottles and baby food jars should be stirred or shaken and the temperature checked before consumption, in order to avoid burns.
- Eggs in their shell and whole hard-boiled eggs should not be heated in the appliance since they may explode, even after microwave heating has ended.
- The appliance should be cleaned regularly and any food deposits removed.
- Failure to maintain the appliance in a clean condition could lead to deterioration of the surface that could adversely affect the life of the appliance and possibly result in a hazardous situation.
- The temperature of accessible surfaces may be high when the appliance is operating.
- Pay attention to the minimum dimensions of the cabinet. Refer to the installation chapter.
- The appliance must be operated with any decorative kitchen cabinet door open (if applicable).
- Do not use harsh abrasive cleaners or sharp metal scrapers to clean the glass door since they can scratch the surface, which may result in shattering of the glass.
- If the supply cord is damaged, it must be replaced by the manufacturer, an authorised Service or similarly qualified persons in order to avoid a hazard.

## SAFETY INSTRUCTIONS

### Installation

#### **WARNING!**

To reduce the risk of burns, electric shock, fire, injury to persons or exposure to excessive microwave energy:

- Read all instructions before using the appliance.
- Use this appliance only for its intended use as described in this manual. Do not use corrosive chemicals or vapors in this appliance. This type of microwave is specifically designed to heat, cook or dry food. It is not designed for industrial or laboratory use.
- Do not operate the microwave when empty.
- Do not operate this appliance if it has a damaged cord or plug, if it is not working properly or if it has been damaged or dropped. If the supply cord is damaged, it must be replaced by the manufacturer or its service agent or a similarly qualified person in order to avoid a hazard.

#### **WARNING!**

Only allow children to use the microwave without supervision when adequate instructions have been given so that the child is able to use the microwave in a safe way and understands the hazards of improper use. To reduce the risk of fire in the microwave cavity:

- When heating food in plastic or paper container, check the microwave frequently to the possibility of ignition.
- Remove wire twist-ties from paper or plastic bags before placing bag in microwave.
- If smoke is observed, switch off or unplug the appliance and keep the door closed in order to stifle any flames.
- Do not use the cavity for storage purposes. Do not leave paper products, cooking utensils or food in the cavity when not in use.

#### **WARNING!**

Liquid or other food must not be heated in sealed containers since they are liable to explode.

- Do not fry food in the microwave. Hot oil can damage microwave parts and utensils and even result in skin burns.
- Pierce foods with heavy skins such as potatoes, whole squashes, apples and chestnuts before cooking.

- Cooking utensils may become hot because of heat transferred from the heated food. Potholders may be needed to handle the utensil.
- Utensils should be checked to ensure that they are suitable for use in microwave.

#### **WARNING!**

It is hazardous for anyone other than a trained person to carry out any service or repair operation which involves the removal of any cover which gives protection against exposure to microwave energy.

- This product is a Group 2 Class B ISM equipment. The definition of Group 2 which contains all ISM (Industrial, Scientific and Medical) equipment in which radio-frequency energy is intentionally generated and/or used in the form of electromagnetic radiation for the treatment of material, and spark erosion equipment. For Class B equipment is equipment suitable for use in domestic establishments and in establishments directly connected to a low voltage power supply network which supplies buildings used for domestic purpose.
- This appliance is not intended for use by persons (including children) with reduced physical, sensory or mental capabilities, or lack of experience and knowledge, unless they have been given supervision or instruction concerning use of the appliance by a person responsible for their safety.
- Children should be supervised to ensure that they do not play with the appliance.

#### **WARNING!**

Do not install microwave over a range cooktop or other heat-producing appliance. If installed it could cause damage not covered under warranty.

- The accessible surface may be hot during operation.
- The door or the outer surface may get hot when the appliance is operating.
- The temperature of accessible surfaces may be high when the appliance is operating.
- The appliance shall be placed against a wall.

#### **WARNING!**

If the door or door seals are damaged, the microwave must not be operated until it has been repaired by a competent person.

- The instructions shall state that appliances are not intended to be operated by means of an external timer or separate remote-control system.
- The microwave is for household use only and not for commercial use.
- Never remove the distance holder in the back or on the sides, as it ensures a minimum distance from the wall for air circulation.
- Please secure the turn table before you move the appliance to avoid damages.

#### **CAUTION**

It is dangerous to repair or maintain the appliance by no other than a specialist because under these circumstances the cover have to be removed which assures protection against microwave radiation. This applies to changing the power cord or the lighting as well. Send the appliance in these cases to our service centre.

- The microwave is intended for defrosting, cooking and steaming of food only.
- Use gloves if you remove any heated food.

#### **CAUTION**

Steam will escape, when opening lids or wrapping foil.

- This appliance can be used by children aged from 8 years and above and persons with reduced physical, sensory or mental capabilities or lack of experience and knowledge if they have been given supervision or instruction concerning use of the appliance in a safe way and understand the hazards involved. Children shall not play with the appliance. Cleaning and user maintenance shall not be made by children unless they are aged from 8 years and above and supervised.
- If smoke is emitted, switch off or unplug the appliance and keep the door closed in order to stifle.

### Specifications

Power Consumption:	230-240-50Hz, 1400W(Microwave)
Rated microwave power output:	900W
Operation Frequency:	2450MHz
Outside Dimensions:	460mm(H)x595mm(W)x405mm(D)
Microwave Cavity Dimensions:	220mm(H)x354mm(W)x358mm(D)
Net Weight:	Approx 17.2 kg

## INSTALLATION

- Make sure that all the packing materials are removed from the inside of the door.

#### **WARNING!**

Check the microwave for any damage, such as misaligned or bent door, damaged door seals and sealing surface, broken or loose door hinges and latches and dents inside the cavity or on the door. If there is any damage, do not operate the microwave and contact qualified service personnel.

- This microwave must be placed on a flat, stable surface to hold its weight and the heaviest food likely to be cooked in the microwave.
- Do not place the microwave where heat, moisture, or high humidity are generated, or near combustible materials.
- Do not operate the microwave without glass tray, roller support, and shaft in their proper positions.
- Make sure that the power supply cord is undamaged and does not run under the microwave or over any hot or sharp surface.
- The socket must be readily accessible so that it can be easily unplugged in an emergency.
- Do not use the microwave outdoors.

### Radio Interference

Operation of the microwave can cause interference to your radio, TV or similar equipment.

When there is interference, it may be reduced or eliminated by taking the following measures:

- Clean door and sealing surface of the microwave.
- Reorient the receiving antenna of radio or television.
- Relocate the microwave with respect to the receiver.
- Move the microwave away from the receiver.
- Plug the microwave into a different outlet so that microwave and receiver are on different branch circuits.

### Grounding Instructions

This appliance must be grounded. This microwave is equipped with a cord having a grounding wire with a grounding plug. It must be plugged into a wall receptacle that is properly installed and grounded. In the event of an electrical short circuit, grounding reduces risk of electric shock by providing an escape wire for the electric current. It is recommended that a separate circuit serving only the microwave be provided. Using a high voltage is dangerous and may result in a fire or other accident causing microwave damage.

### **! WARNING!**

Improper use of the grounding plug can result in a risk of electric shock.

#### NOTE:

- If you have any questions about the grounding or electrical instructions, consult a qualified electrician or service person.
- Neither the manufacturer nor the dealer can accept any liability for damage to the microwave or personal injury resulting from failure to observe the electrical connection procedures.

The wires in this mains cable are colored in accordance with the following code:

**Green and Yellow = EARTH**

**Blue = NEUTRAL**

**Brown = LIVE**

#### Microwave cooking principles

- Arrange food carefully. Place thickest areas towards outside of dish.
- Watch cooking time. Cook for the shortest amount of time indicated and add more as needed. Food severely overcooked can smoke or ignite.
- Cover foods while cooking. Covers prevent spattering and help foods to cook evenly.
- Turn foods over once during microwaving to speed cooking of such foods as chicken and hamburgers. Large items like roasts must be turned over at least once.
- Rearrange foods such as meatballs halfway through cooking both from top to bottom and from the center of the dish to the outside.

#### Before you call for service

If the microwave fails to operate:

- Check to ensure that the microwave is plugged in securely. If it is not, remove the plug from the outlet, wait 10 seconds and plug it in again securely.
- Check for a blown circuit fuse or a tripped main circuit breaker. If these seem to be operating properly, test the outlet with another appliance.
- Check to ensure that the control panel is programmed correctly and the timer is set.
- Check to ensure that the door is securely closed engaging the door safety lock system. Otherwise, the microwave energy will not flow into the microwave.

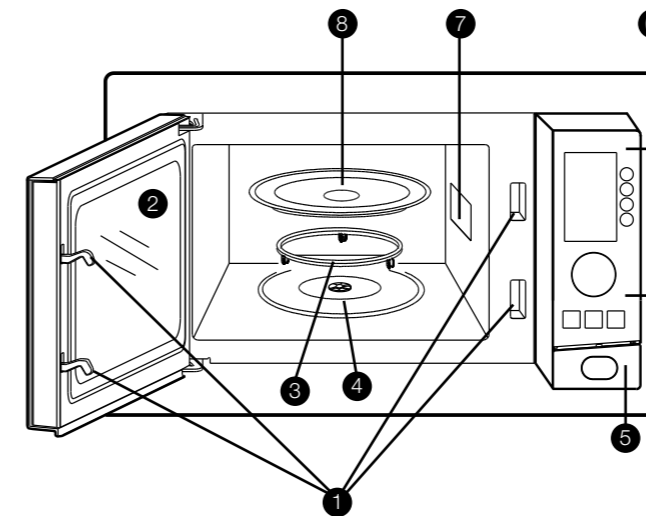
**If none of the above rectifies the situation, then contact a qualified technician. Do not try to adjust or repair the microwave yourself.**

#### Utensils guide

- The ideal material for a microwave utensil is transparent to microwave, it allows energy to pass through the container and heat the food.
- Microwave can not penetrate metal, so metal utensils or dishes with metallic trim should not be used.
- Do not use recycled paper products when microwave cooking, as they may contain small metal fragments which may cause sparks and/or fires.
- Round/oval dishes rather than square/oblong ones are recommend, as food in corners tends to overcook.
- Narrow strips of aluminum foil may be used to prevent overcooking of exposed areas. But be careful don't use too much and keep a distance of 1 inch (2.54cm) between foil and cavity.

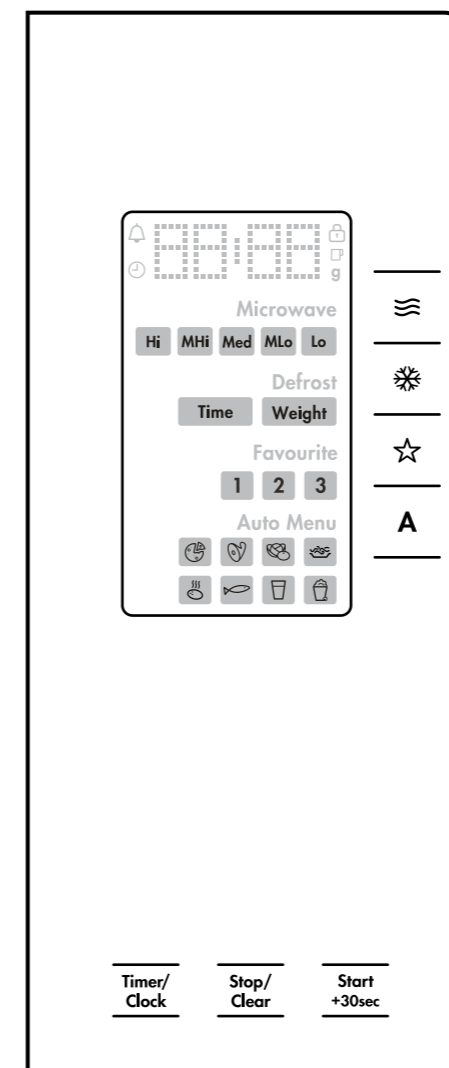
COOKWARE	MICROWAVE
Heat-resistant glass	Yes
Non heat-resistant glass	No
Heat-resistant ceramics	Yes
Microwave-safe plastic dish	Yes
Kitchen paper	Yes
Metal tray	No
Metal rack	No
Aluminum foil & foil containers	No

## PRODUCT DESCRIPTION



- Door Safety Lock System
- Microwave Window
- Roller Ring
- Shaft
- Door Release Button
- Control Panel
- Wave Guide (Please do not remove the mica plate covering the wave guide)
- Glass Tray

## CONTROL PANEL



#### Menu action screen

Cooking time, power, action indicators, and clock time are displayed.

MICROWAVE (≡)

Press this button a number of times to set microwave cooking power level.

DEFROST (☼)

Press to set speed defrost and weight defrost function.

FAVOURITE (☆)

Press this to store or retrieve preset cooking programs

AUTO COOK MENU (A)

Press this button a number of times to set microwave cooking power level.

MENU/TIME (DIAL)

Turn the dial to input cooking time.

Rotate to select the cooking menu.

TIMER/CLOCK

Press to set the timer function and to set the oven clock.

STOP/CLEAR

Press to clear entry before setting a cooking program

Press once to temporarily stop cooking, or twice to cancel cooking altogether.

It is also used for setting child lock.

START/+30SEC

Press to start a cooking program.

Press repeatedly to set quick start function.

## BEFORE FIRST USE



### WARNING!

Refer to the safety chapters.

#### Initial cleaning

- Remove all parts from the appliance.
- Clean the appliance before first use.



Refer to chapter "Care and cleaning".

## HOW TO SET THE CONTROLS

Each time a button is pressed, a beep will sound to acknowledge the press.

During cooking program, press STOP/CLEAR to pause the program, then press START/+30SEC to resume. Press STOP/CLEAR twice to cancel the program.

End will display with beeps to remind the program is over, and it will sound every two minutes until you press STOP/CLEAR pad or open the door.

During the setting mode, the system will return to waiting mode if there is not any operation within 1 minute.

#### Setting Digital Clock

With the microwave ready for input, press the TIMER/CLOCK button to set the digital clock in 24 hours cycle.

FOR EXAMPLE: Suppose you want to set the microwave clock time to 8:30.

- In standby mode, press TIMER/CLOCK button twice.
- Turn MENU/TIME to indicate the hour digit 8.
- Press TIMER/CLOCK button.
- Turn MENU/TIME dial to indicate the minute digits until the screen shows 8: 30.
- Press TIMER/CLOCK to confirm the setting.

*Note: You can press the TIMER/CLOCK button twice to check clock time during cooking.*

#### Setting The Timer

Touch TIMER/CLOCK pad once, if press START/+30SEC, the timer began up timing, if turn MENU/TIME to set the timer time, then press START/+30SEC, the timer began down timing

**NOTE:**

- *The maximum timer time is 95 minutes.*
- *In standby mode to set timer function, the screen will display the time, at this point, you can set the cooking program, but the microwave can not be return standby mode.*
- *When the countdown ends, the buzzer will beep to 5 seconds remind you, the microwave automatically standby return or cooking countdown to the state.*
- *You can check the time by touch TIMER/CLOCK pad when cooking or pause program.*

## DAILY USE

#### Microwave Cooking

To cook with microwave power alone, press the button a number of times to select a cooking power level, and then use the MENU/TIME dial to set a desired cooking time. The longest cooking time is 95 minutes.

Select power level by pressing the button:

PRESS	POWER LEVEL	DISPLAY
Once	100%	HI
Twice	80%	M- HI
3 times	60%	MED
4 times	40%	M-LO
5 times	20%	LO

For example, suppose you want to cook for 5 minutes at 60% of microwave power.

1. In waiting mode, place food into microwave, and close the door.
2. Press repeatedly until MED is shown.
3. Turn MENU/TIME dial to 5:00.
4. Press START/+30SEC to confirm.

#### Multi-Stage Cooking

1. In waiting mode, place food into microwave, and close the door.
2. Select first stage of cooking process by pressing power until the desired power level is chosen. Then select time desired.
3. Press power until the desired power level for the second stage is chosen. Then select time desired for second stage.
4. Press START/+30SEC to confirm.

*Note: Quick start, auto cook cannot be set in multi-stage cooking program.*

#### Quick Start

This feature allows you to start the microwave quickly at full power.

In waiting mode, press START/+30SEC a number of times to set the cooking time, the microwave starts work at full power level immediately. During cooking, you can add cooking time by pressing START/+30SEC dial up to 95 minutes.

#### Defrost

##### A. Jet defrost

1. In waiting mode, place food into microwave, and close the door.
2. Press and **TIME** will display.
3. Turn MENU/TIME to select the cooking time (the maximum is 95 minutes).
4. Press START/+30SEC to confirm.

##### B. Weight defrost

The microwave can quickly defrost food to the set time you entered.

FOR EXAMPLE: Suppose you want to defrost shrimp.

1. In waiting mode, place food into microwave, and close the door.
2. Press button twice until **WEIGHT** display.
3. Turn MENU/TIME to enter the food weight (100g-1000g).
4. Press START/+30SEC to confirm.

#### Favourite

This function can store up to three cooking modes.

In standby mode press the either once, twice to three times to select favourite 1, 2 or 3. Then hold the for 2 seconds. The corresponding favourite number will flash. Select power with and time with dial. Press to save. The number will stop flashing.

#### Memory

This feature will remember the last setting. Select then the required time using the dial, then press START/+30S.

#### Child Lock

Use to prevent unsupervised operation of the microwave by little children. The CHILD LOCK indicator will show up on display screen, and the microwave can not be operated while the CHILD LOCK is set.

To set the CHILD LOCK: Press and hold the STOP/CLEAR button for 3 seconds, a beep sounds and lock indicator lights.

To cancel the CHILD LOCK: Press and hold the STOP/CLEAR button for 3 seconds until lock indicator on display goes off. The system will return to normal.

## DAILY USE (CONTINUED)

### Auto Cook Menu

For foods matching the cooking modes it is not necessary to program the duration and the cooking power. It is sufficient to indicate the type of food that you wish to cook as well as the weight of this food. You may need to turn food over in the middle of the cooking time to obtain uniform heating.

The result of auto cooking depends on factors such as fluctuation of voltage, the shape and size of food, your personal preference as to the doneness of certain foods and even how well you happen to place food in the microwave.

If you find the result at any rate not quite satisfactory, please adjust the cooking time a little bit accordingly.

For example: to cook 450g of fish.

- In waiting mode, place food into microwave, and close the door.
- Press **A** a number of times to select food code fish displays.
- Turn MENU/TIME to indicate a weight of 450g.
- Press START/+30SEC to confirm.

CODE	FOOD/COOKING MODE
A-1	Pizza (g)
A-2	Meat (g)
A-3	Vegetables (g)
A-4	Pasta (g)
A-5	Potato (g)
A-6	Fish (g)
A-7	Beverages (g)
A-8	Popcorn (g)

### Suitable cookware and materials

COOKWARE / MATERIAL	MICROWAVE	HEATING	COOKING
	DEFROSTING		
Ovenproof glass and porcelain (with no metal components, e.g. Pyrex, heat-proof glass)	●	●	●
Non-ovenproof glass and porcelain <sup>1)</sup>	●	--	--
Glass and glass ceramic made of ovenproof/frost-proof material (e.g. Arcoflam), grill shelf	●	●	●
Ceramic <sup>2)</sup> , earthenware <sup>2)</sup>	●	●	●
Heat-resistant plastic up to 200°C <sup>3)</sup>	●	●	●
Cardboard, paper	●	--	--
Clingfilm	●	--	--
Roasting film with microwave safe closure <sup>3)</sup>	●	●	●
Roasting dishes made of metal, e.g. enamel, cast iron	--	--	--
Baking tins, black lacquer or silicon coated <sup>3)</sup>	--	--	--
Baking tray	--	--	--
Browning cookware, e.g. Crisp pan or Crunch plate	--	●	●
Ready meals in packaging <sup>3)</sup>	●	●	●

1) With no silver, gold, platinum or metal plating/decorations.

2) Without quartz or metal components, or glazes which contain metals.

3) You must follow the manufacturer's instructions about the maximum temperatures.

● suitable

-- not suitable

## USING THE ACCESSORIES

### **!** WARNING!

Refer to the safety chapters.

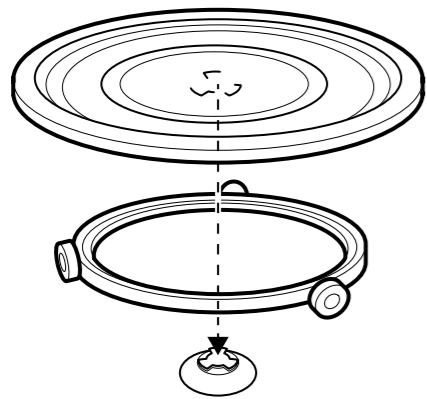
### **!** CAUTION!

Do not cook food without the turntable set. Use only the turntable set provided with the appliance.



Never cook food directly on the glass cooking tray.

### Inserting the turntable set



1. Place the roller guide around the turntable shaft.
2. Before first use remove the tape from the centre of the turntable shaft.
3. Place the glass cooking tray on the roller guide.

## HELPFUL HINTS AND TIPS

### Power setting table

PROBLEM	REMEDY
You cannot find details for the amount of food prepared.	Look for a similar food. Increase or shorten the length of the cooking times according to the following rule: Double the amount = almost double the time, Half the amount = half the time.
The food got too dry.	Set shorter cooking time or select lower microwave power.
The food is not defrosted, hot or cooked after the time came to an end.	Set longer cooking time or set higher power. Note that large dishes need longer time.
After the cooking time comes to an end, the food is overheated at the edge but is still not ready in the middle.	Next time set a lower power and a longer time. Stir liquids halfway through, e.g. soup.

To get better results for rice use a flat, wide dish.

### Defrosting

Always defrost roast with the fat side down. Do not defrost covered meat because this may cause cooking instead of defrosting. Always defrost whole poultry breast side down.

### Cooking

Always remove chilled meat and poultry from the refrigerator at least 30 minutes before cooking. Let the meat, poultry, fish and vegetables stay covered after cooking.

Brush a little oil or melted butter over the fish. Add 30-45ml of cold water for every 250g of vegetables. Cut the fresh vegetables into even size pieces before cooking. Cook all vegetables with a cover on the container.

### Reheating

When you reheat packed ready meals always follow the instructions written on the packaging.

## CARE AND CLEANING



### WARNING!

Refer to the safety chapters.

#### Notes on cleaning:

- Turn off the microwave and remove the power plug from the wall socket before cleaning.
- Keep the inside of the microwave clean. When food splatters or spilled liquids adhere to microwave walls, wipe with a damp cloth. Mild detergent may be used if the microwave gets very dirty. Avoid the use of spray and other harsh cleaners as they may stain, streak or dull the door surface.
- The outside surfaces should be cleaned with a damp cloth. To prevent damage to the operating parts inside the microwave, water should not be allowed to seep into the ventilation openings.
- Wipe the door and window on both sides, the door seals and adjacent parts frequently with a damp cloth to remove any spills or splatters. Do not use abrasive cleaner.
- Do not allow the control panel to become wet. Clean with a soft, damp cloth. When cleaning the control panel, leave microwave door open to prevent microwave from accidentally turning on.
- If steam accumulates inside or around the outside of the microwave door, wipe with a soft cloth. This may occur when the microwave is operated under high humidity conditions, this is normal.
- The microwave floor should be cleaned regularly to avoid excessive noise. Simply wipe the bottom surface of the microwave with mild detergent.
- Remove odors from your microwave by combining a cup of water with the juice and skin of one lemon in a deep microwaveable bowl, microwave for 5 minutes. Wipe thoroughly and dry with a soft cloth.
- When it becomes necessary to replace the microwave light, please consult a dealer to have it replaced.
- The microwave should be cleaned regularly and any food deposits removed. Failure to maintain the microwave in a clean condition could lead to deterioration of the surface that could adversely affect the life of the appliance and possibly result in a hazardous situation.
- Please do not dispose this appliance into the domestic rubbish bin; it should be disposed to the particular disposal center provided by the municipalities.
- Cleaning the exterior  
Open the microwave oven when cleaning the control panel. This will prevent the appliance from being turned on accidentally. To clean front panel fingerprint-resistant stainless steel simply wipe with a soft cloth using warm water and a mild detergent. DO NOT use stainless steel cleaners, abrasive cleaners or harsh solvents.

To prevent damage to the working parts, do not allow water to seep into ventilation openings.

NEVER USE ABRASIVE CLEANERS, SCOURING PADS OR HARSH CHEMICALS ON THE OUTSIDE SURFACES OF YOUR APPLIANCE.



### WARNING!

DO NOT use harsh abrasive cleaners or sharp metal scrapers to clean the microwave oven door glass since they can scratch the surface which may result in shattering of the glass.



### WARNING!

Never use abrasive cleaners, commercial oven cleaners or steel wool pads on any part of the oven.

## TROUBLESHOOTING



### WARNING!

Refer to the safety chapters.

PROBLEM	POSSIBLE CAUSE	REMEDY
The appliance does not operate.	The appliance is deactivated.	Activate the appliance.
	The appliance is not plugged in.	Plug in the appliance.
	The fuse in the fuse box is blown.	Check the fuse. If the fuse blows more than one time, contact a qualified electrician.
	The door is not closed properly.	Make sure that nothing blocks the door.
The lamp does not operate.	The lamp is defective.	The lamp has to be replaced. Contact the customer service centre.
The display shows.	The Child Safety Lock is active.	Deactivate the Child Safety Lock. Hold the Cancel button for 3 seconds.
There is sparking in the cavity.	There are metal dishes or dishes with metal trim.	Remove the dish from the appliance.
	There are metal skewers or aluminium foil that touches the interior walls.	Make sure that the skewers and foil does not touch the interior walls.
The turntable set makes scratching or grinding noise or does not rotate smoothly.	There is an object or dirt below the glass cooking tray.	Clean the area below the glass cooking tray including rollers. Check turntable roller assembly and glass are installed correctly.
The appliance stops operating without a clear reason.	There is a malfunction.	Check ventilation of the unit is not obstructed. If this situation repeats with correct installation call the customer service centre.
Microwave runs cooking cycle but food does not heat up.	Internal self-resetting thermostat has activated. The microwave is fitted with a thermostat to protect internal components from overheating.	Once the thermostat's temperature has reduced the unit should function normally. Wait 5 minutes then try the appliance again.
Steam accumulating on microwave door or leaking from vents.	Cooking foods with a high moisture content will always produce steam.	This is a normal part of the cooking process.
Smoke during cooking process.	Fat accumulated on cavity grill element.	Ensure inside of unit is cleaned regularly.
Lights flashing on appliance.	Misunderstanding of appliance functions.	No action required, this is the normal operation of the appliance.

If you cannot find a solution to the problem yourself, contact your dealer or the customer service centre.



## INSTALLATION

### ! CAUTION!

Do not block the air vents. If you do that, the appliance can overheat.

### ! CAUTION!

Do not connect the appliance to adapters or extension leads. This can cause overloading and risk of fire.

- The fitted cabinet must not have a back wall behind the appliance.
- Put the appliance far away from steam, hot air and water splashes.
- If the appliance is stored/transported at sub-zero temperatures, do not activate it immediately after installation. Allow at least two hours for it to be brought up to room temperature before turning on the unit.

### Installation - Built-in model

For the best integration within a kitchen, install this appliance in a standard 600mm wide cupboard that gives a flush fit with the surrounding cupboard fronts. A recess of 20mm is ideal.

The built-in cabinet must not have a rear wall behind the appliance. Do not cover ventilation slots and air intake points.

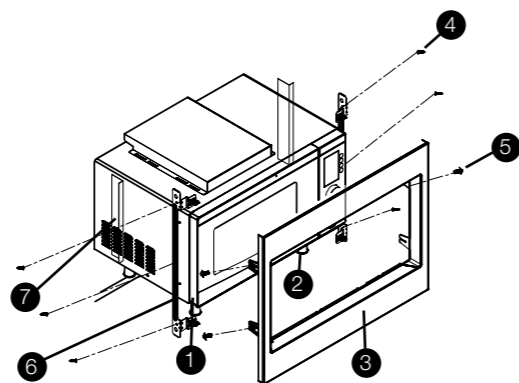
*NOTE: Your appliance must be mounted on a flat surface for the full width and depth of the product.*

Where the appliance is built into a cabinet, the cabinet must be capable of withstanding 70°C. Installation into low temperature tolerant cabinetry (e.g. Vinyl coated) may result in deterioration of the low temperature coating by discolouring or bubbling.

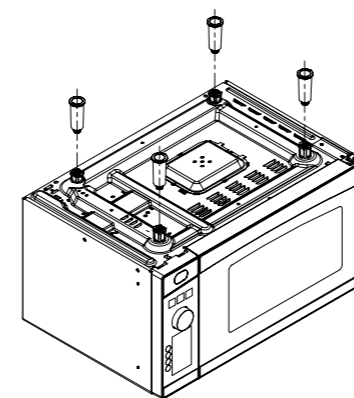
- If the appliance is to be installed adjacent to vinyl wrapped surfaces, use an installation kit available from the vinyl-wrap supplier.
- The manufacturer cannot accept responsibility for damage caused by installation into low temperature tolerant cabinets.

### Parts included for assembly

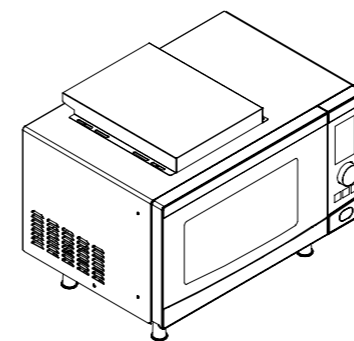
NO.	NAME	QTY
1	Microwave oven	1
2	Bottom feet	4
3	trim kit	1
4	Screw 4x16	6
5	Screw 4x10 and washers	4
6	Trim kit holder brackets	2
7	Positioning card	1



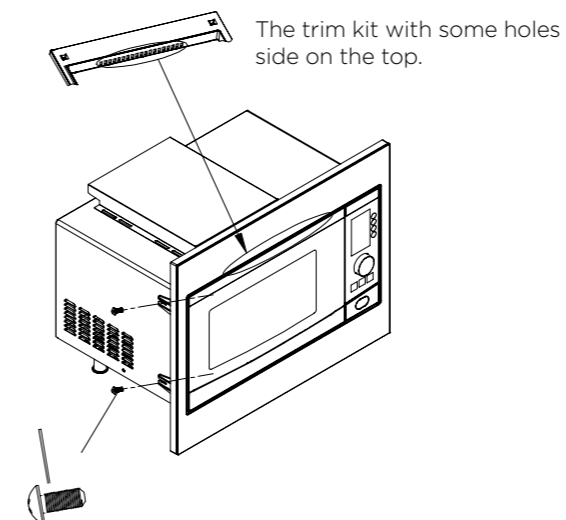
## ASSEMBLY INSTALLATION



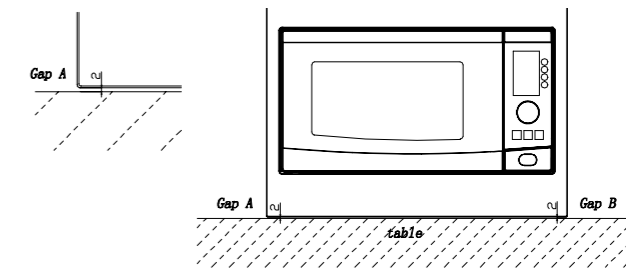
1. Carefully turn over the unit and place onto a bench with a towel to prevent damage. Screw in the four bottom feet as shown.



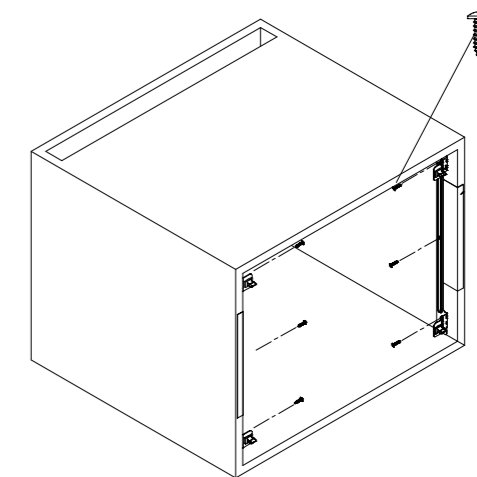
2. Carefully turn over the unit so it is the right way up.



3. Place the trim supplied around the microwave ensuring vent holes are at the top. Use two 4 x10 screws on the left hand side ensuring the trim is flush with the front face of the microwave.
4. Fix the other side using the screws and washers provided.



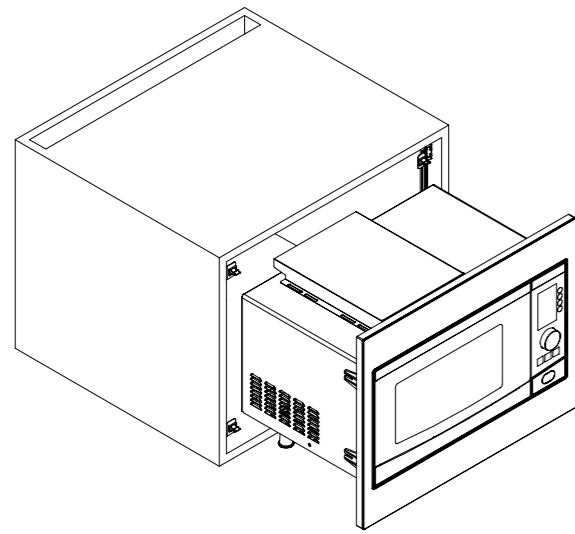
5. Make sure gap A = gap B = 2mm, if not adjust the feet to level.



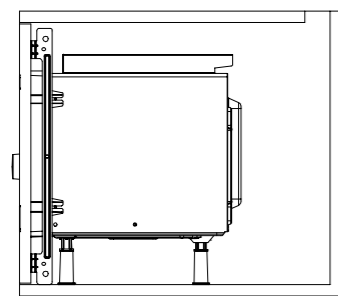
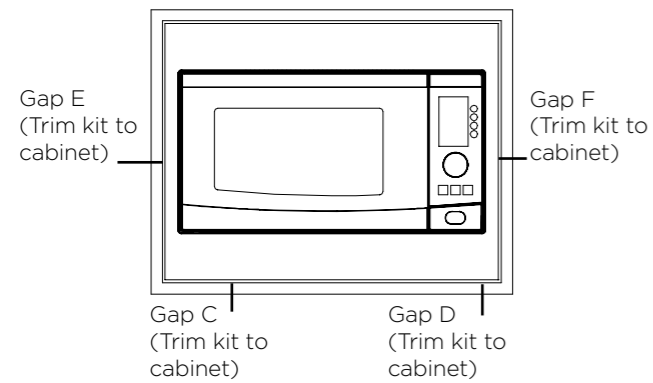
6. The front edge of the trim kit holder brackets need to be fastened 45mm from the front face of your cabinet. A positioning card (the folded cardboard piece included in the plastic bag with this user manual) is provided as a template to correctly locate the trim kit holder brackets.

- The short side needs to be flush with the front of the cabinet.
- Align the side edge of the bracket with the edge of the card.
- Align the bottom edge of the bracket with the cabinet floor.
- Mark the position of the holes with a pencil.

Fix the brackets in place using the screws provided.

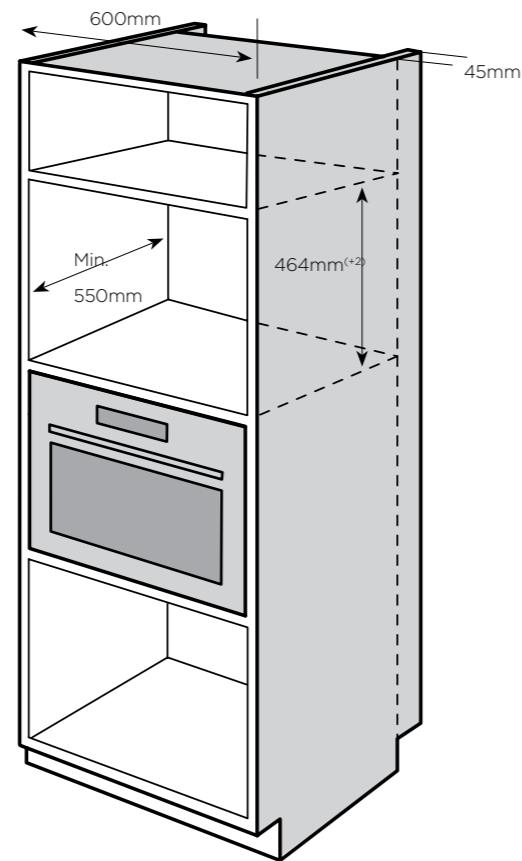


7. Push the microwave with trim assembly fitting into the cut-out. The trim kits is fitted with strikers that locate into brackets. When pushed in far enough the trim will snap into place in four locations, fixing the microwave in the cabinet.

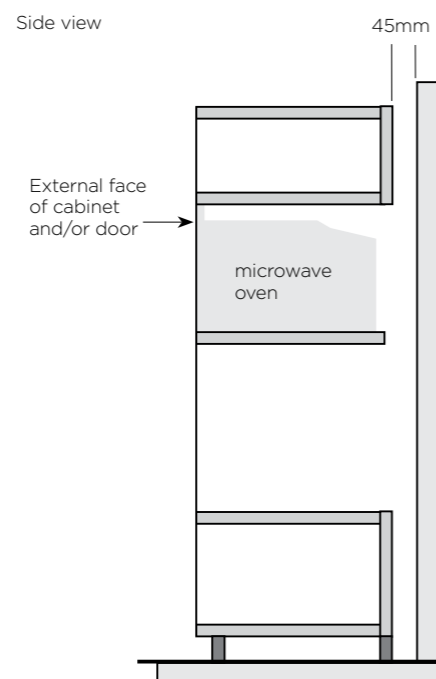


8. Check the gaps with the unit installed.  
If gap C is different to gap D, go back to step 5.  
If gap E is different to gap F, move the unit left or right to adjust.

### Built-in furniture - flush fit



A 45mm ventilation gap must be left between the built-in cabinetry and wall with no back panelling on the cabinet housing the microwave.



## ELECTRICAL INSTALLATION

- Place the microwave as far away from radios and TV as possible. Operation of the microwave may cause interference to your radio or TV reception.
- Be sure the voltage and frequency where you connect the microwave is the same as specified on the rating plate on the microwave. If the microwave is connected to the socket via an extension cord, make sure the cord is earthed.

### **! WARNING!**

If installed near or over a heat source, the microwave could be damaged.

### **! WARNING!**

This microwave must not be used on a non-earth protected power supply. Contact an electrician if you are uncertain regarding electrical connection of the oven or provision of earth protection of the supply.

### **! WARNING!**

If the power cord is damaged, it must be replaced by the manufacturer, its service agent or similarly qualified persons in order to avoid a hazard.

### **! WARNING!**

Only a qualified person must do the electrical installation.



The manufacturer is not responsible if you do not follow the safety precautions from the chapter "Safety Instructions".

This appliance is supplied with a main cable and main plug.

### **! WARNING!**

The microwave is fitted with a plug and must be only connected to a properly installed, earthed socket. In accordance with the appropriate regulations, the socket must only be installed and the connecting cable must only be replaced by a qualified electrician. If the plug is no longer accessible following installation an all-pole isolating switch must be present on the installation side with a contact gap of at least 3mm.



**For more information on all Westinghouse appliances, or for dimension and installation information, call into your retailer, phone or email our customer care team or visit our website:**

**AUSTRALIA**


phone: 1300 363 640  
fax: 1800 350 067  
email: [customercare@electrolux.com.au](mailto:customercare@electrolux.com.au)  
web: [westinghouse.com.au](http://westinghouse.com.au)

**NEW ZEALAND**

phone: 0800 436 245  
fax: 0800 225 088  
email: [customercare@electrolux.co.nz](mailto:customercare@electrolux.co.nz)  
web: [westinghouse.co.nz](http://westinghouse.co.nz)

**TOP SERVICE**

Top Service encompasses the after sales service provided by The Electrolux Group to consumers including delivery, home service and spare parts.

 and WESTINGHOUSE are trademarks of Westinghouse Electric Corporation. Used under license by Electrolux Home Products Pty Ltd. All Rights Reserved.

P/No: 0342 001 615. Rev 002 ECN No. : 048408L  
© 2016 Electrolux Home Products Pty Ltd.  
ABN 51 004 762 341  
WMAN\_BI\_MICRO\_Apr16