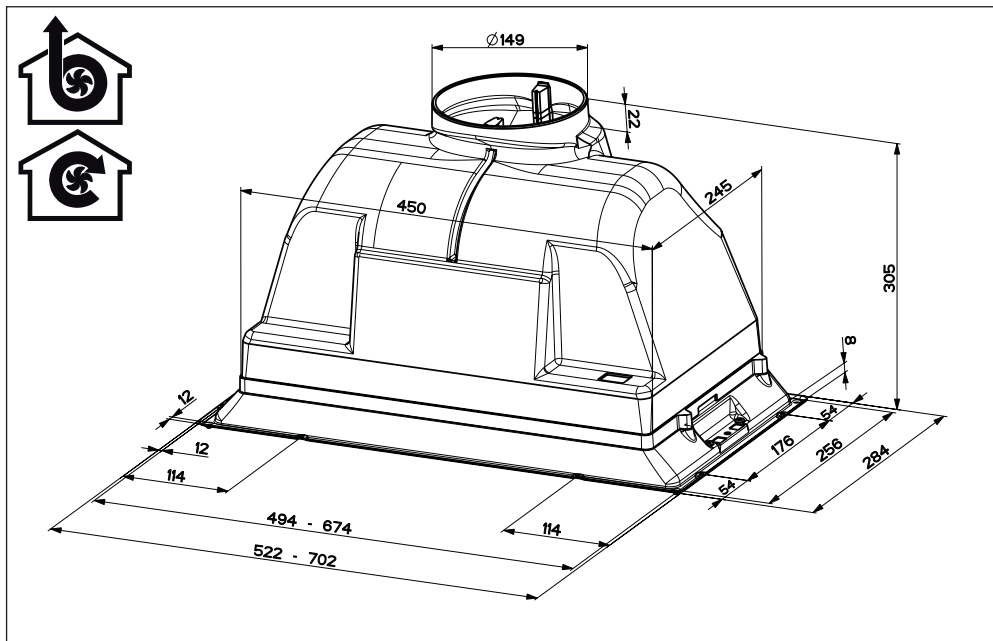
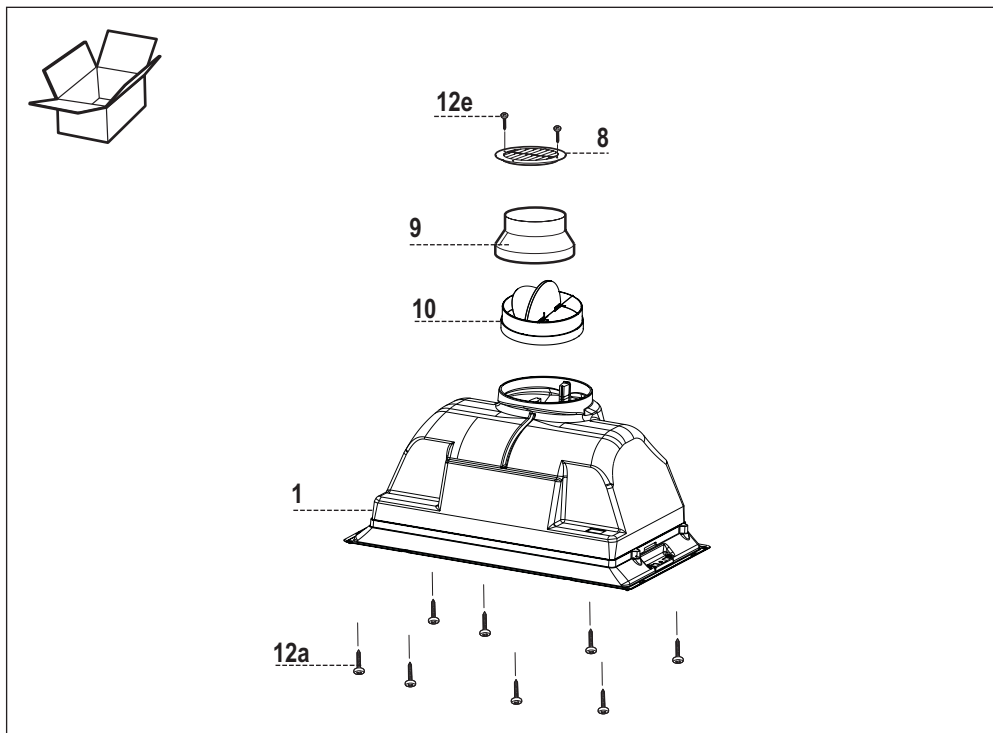
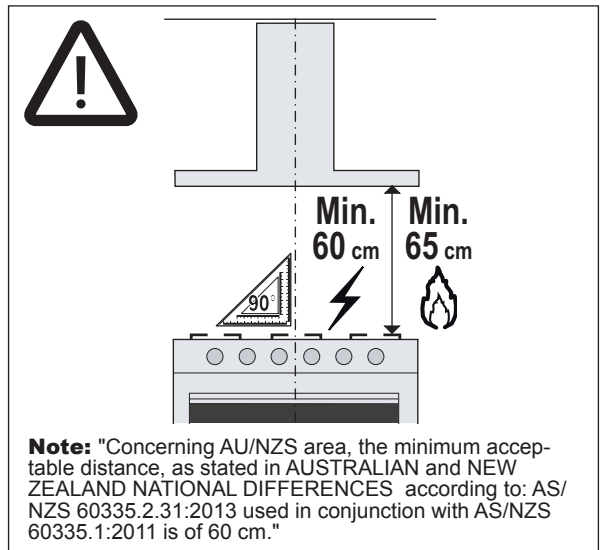
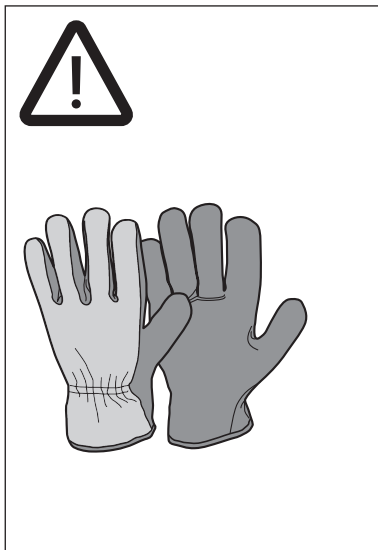
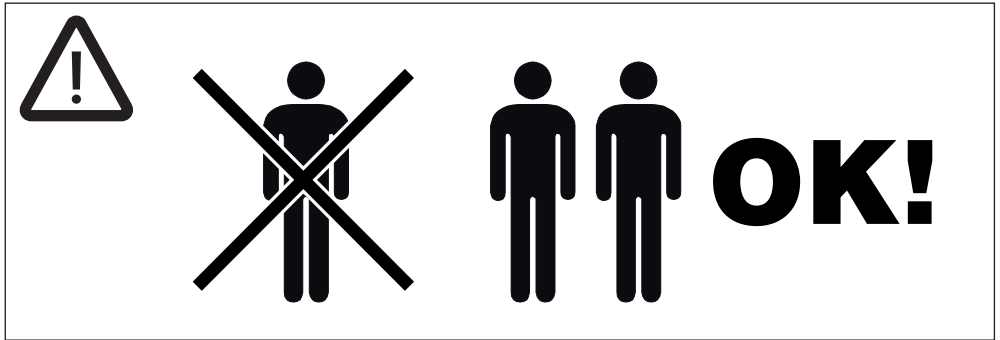
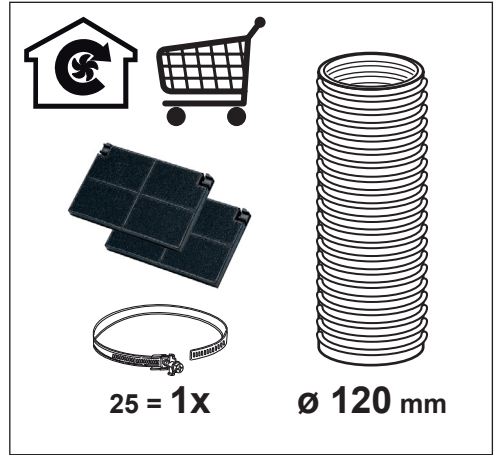


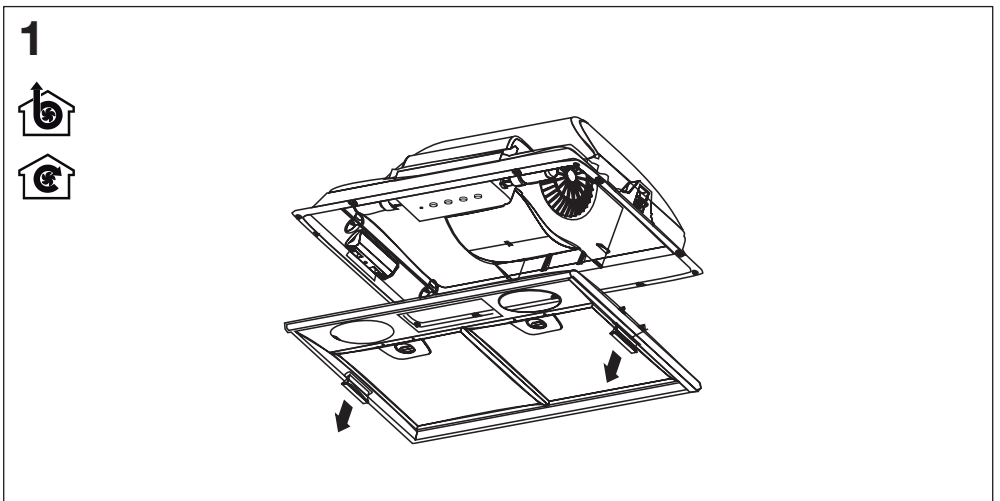
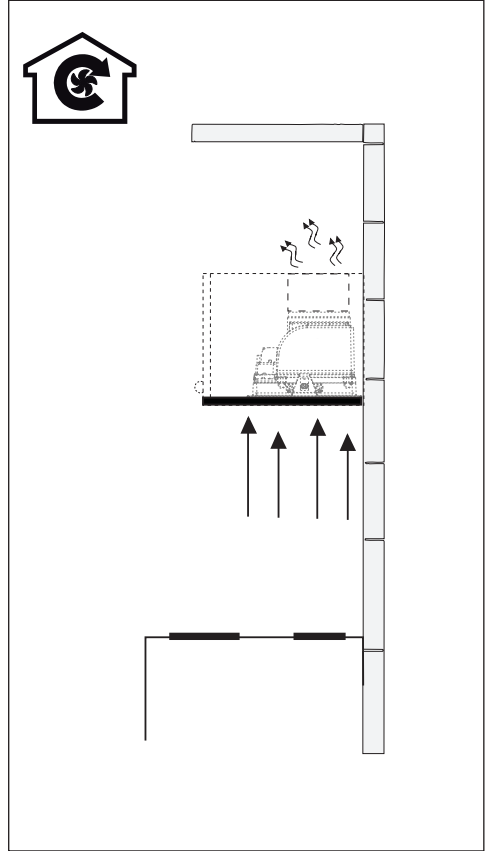
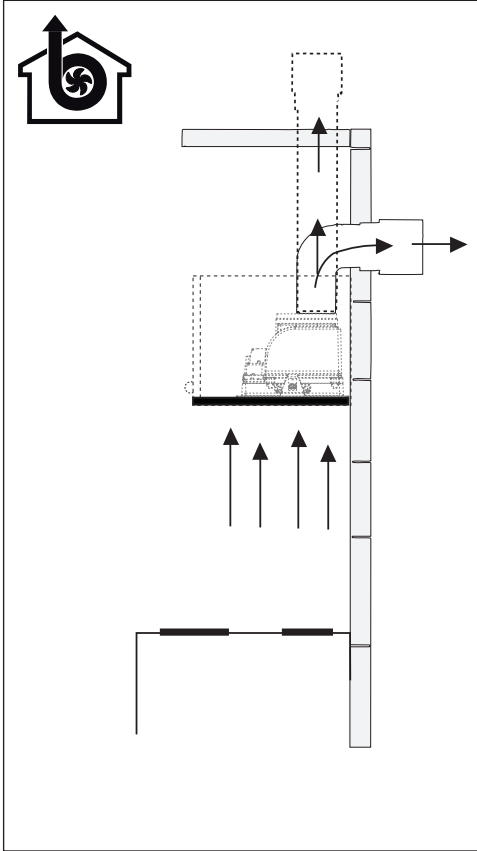
ERI512SA
ERI712SA



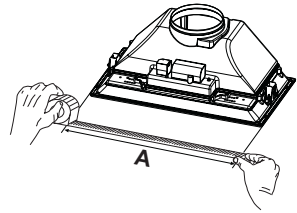
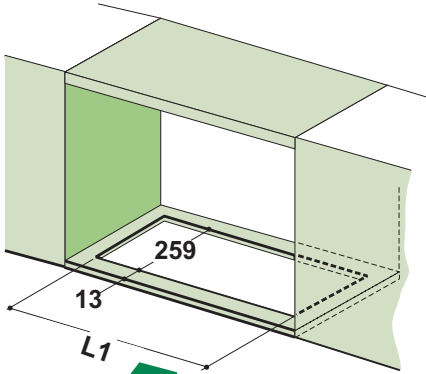
EN Warning! Before proceeding with installation, read the Recommendations and Suggestions in the User Manual.



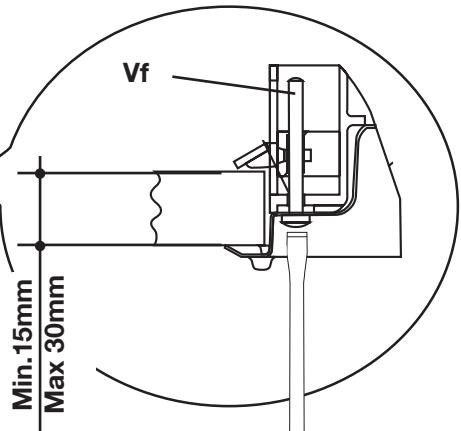
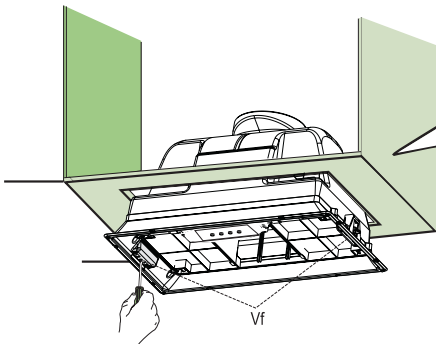
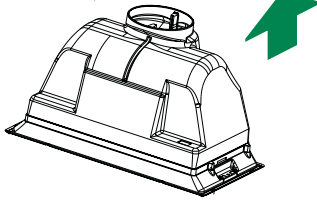




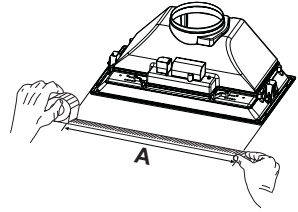
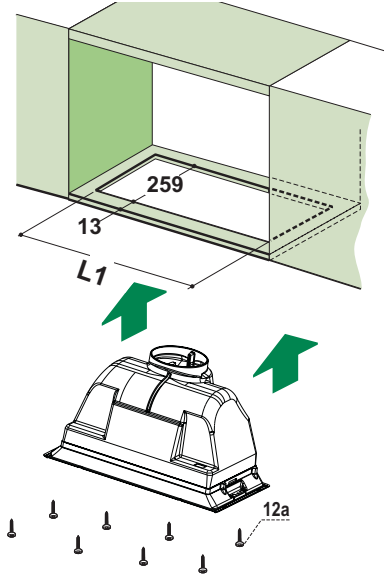
2



A	520	700
L1	497	677

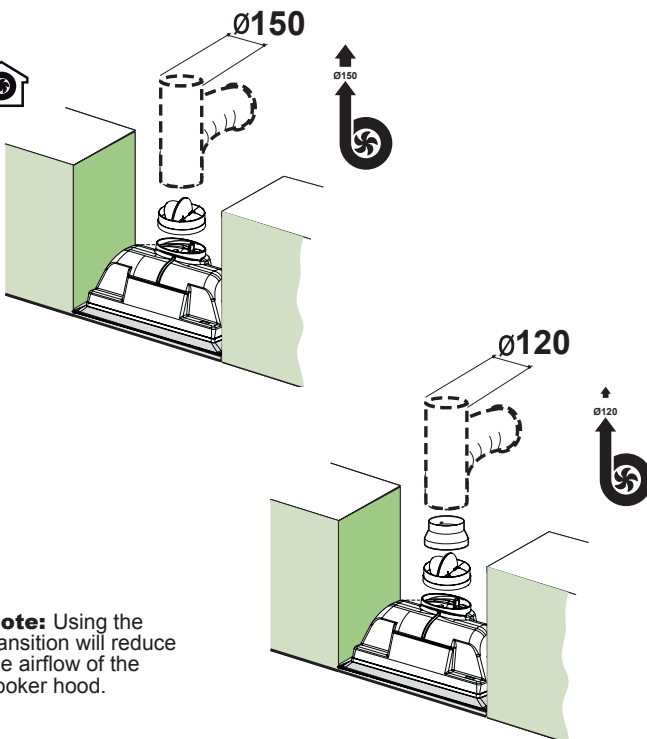


3



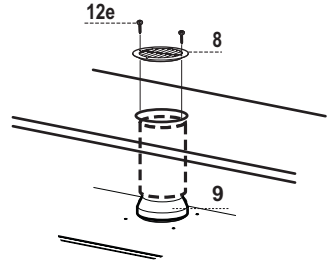
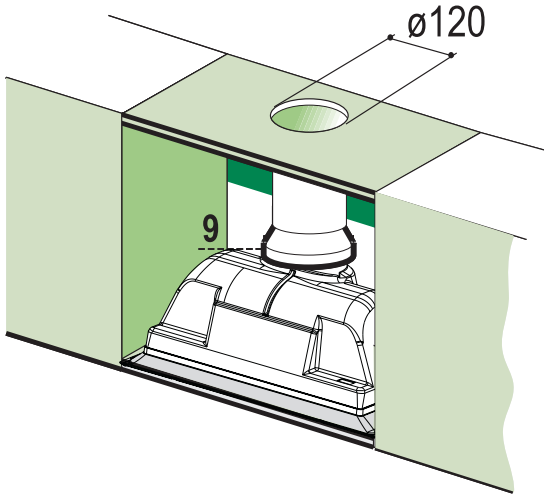
A	520	700
L1	497	677

4

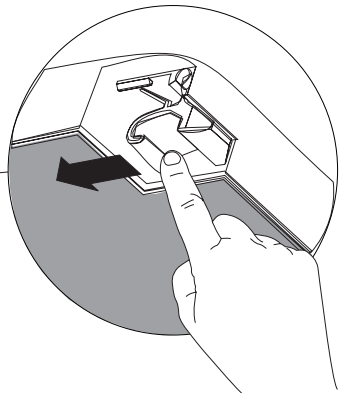
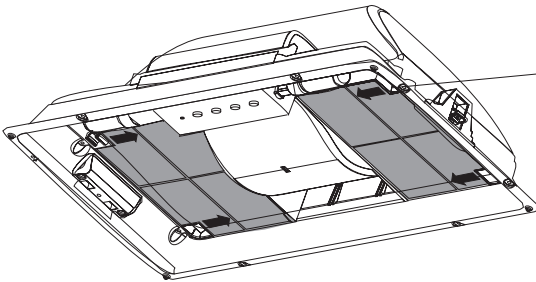


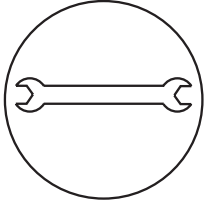
Note: Using the transition will reduce the airflow of the cooker hood.

5

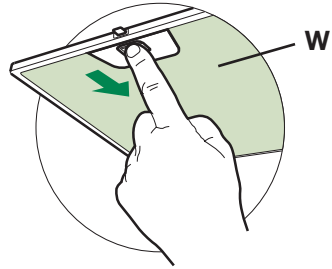
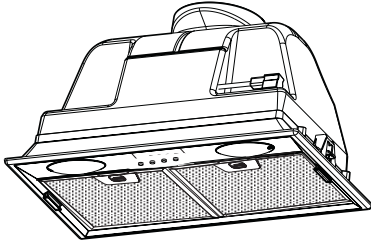


NOTE: Using the carbon filter will reduce the airflow of the cooker hood.





6



7



NOTE: Using the carbon filter will reduce the airflow of the cooker hood.

