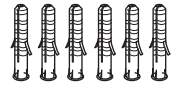
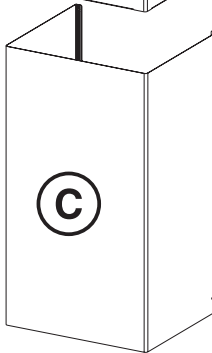
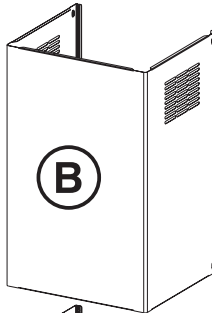
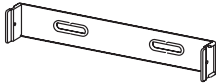
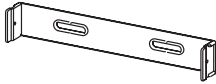
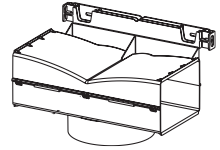
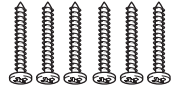




EN Warning! Before proceeding with installation, read the Recommendations and Suggestions in the User Manual.



I = 6x



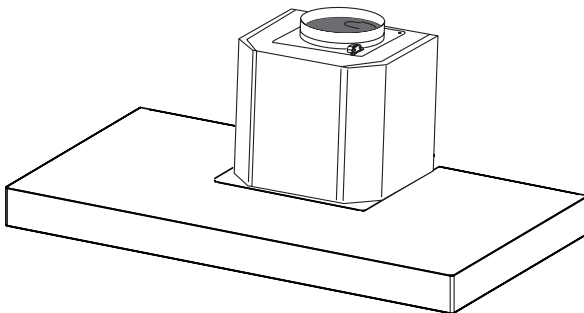
L = 6x

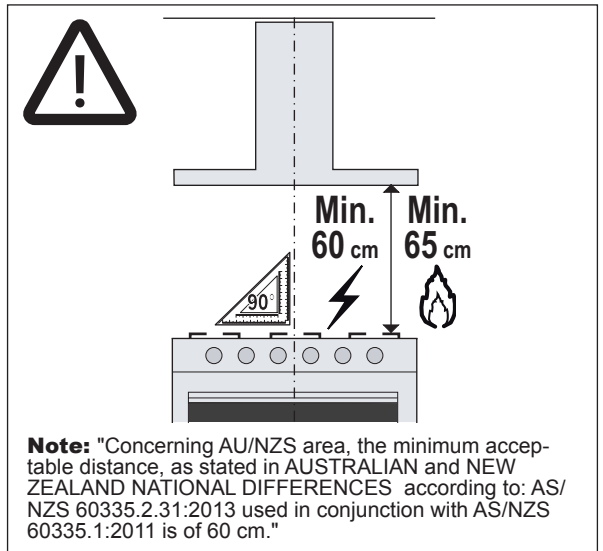
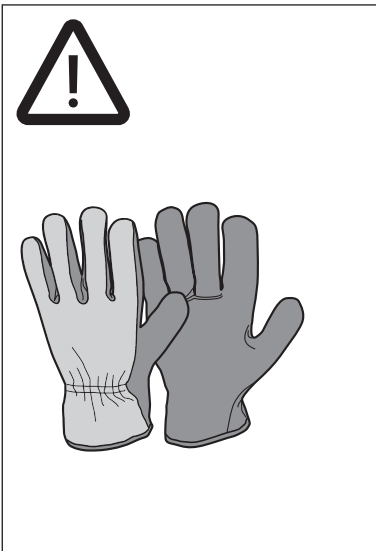
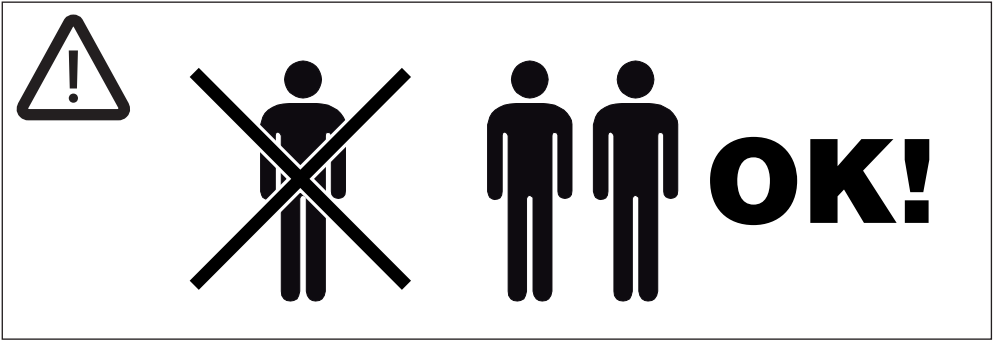
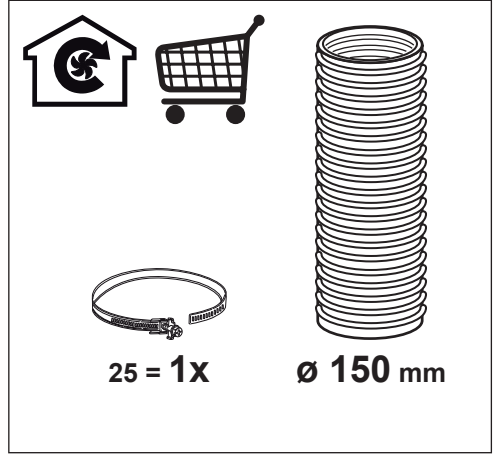


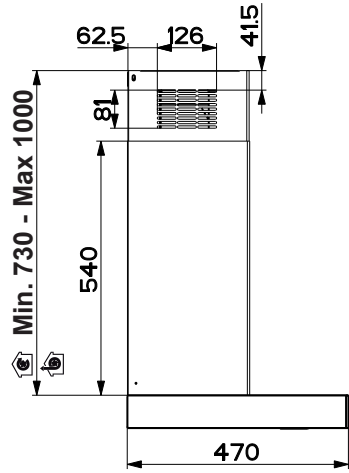
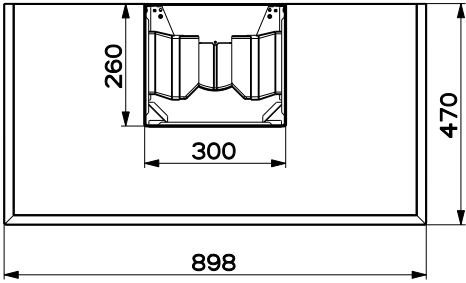
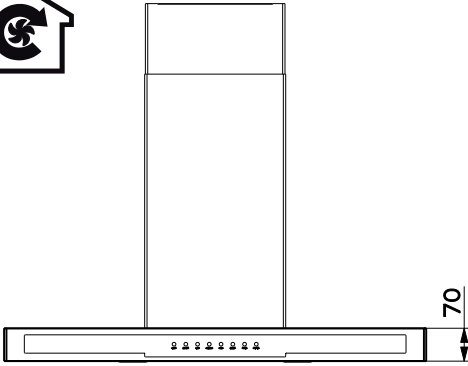
N = 6x

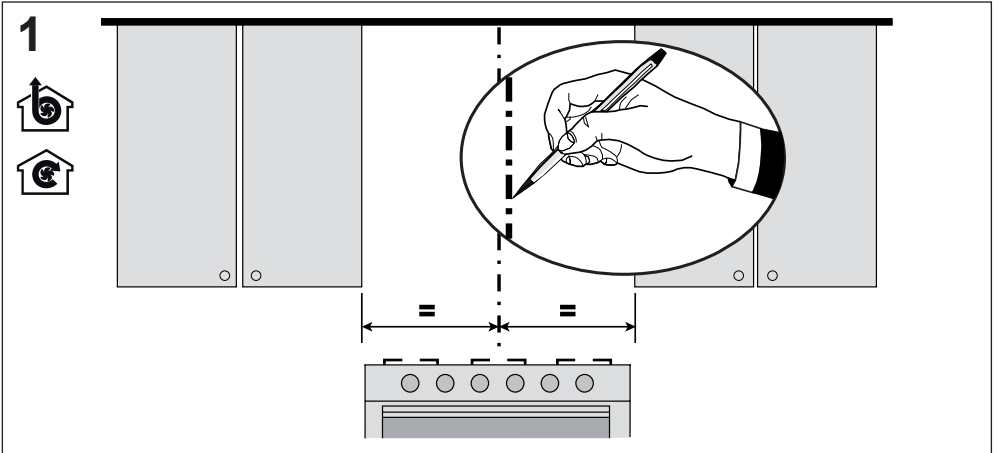
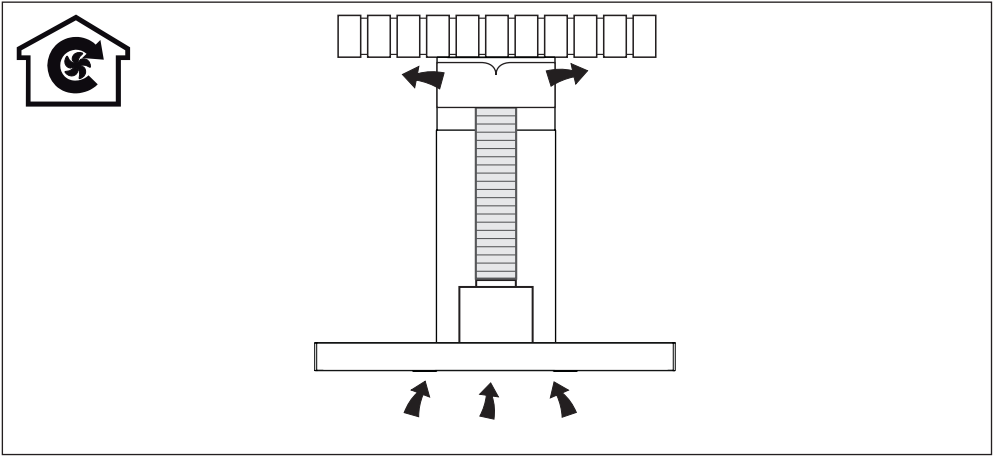
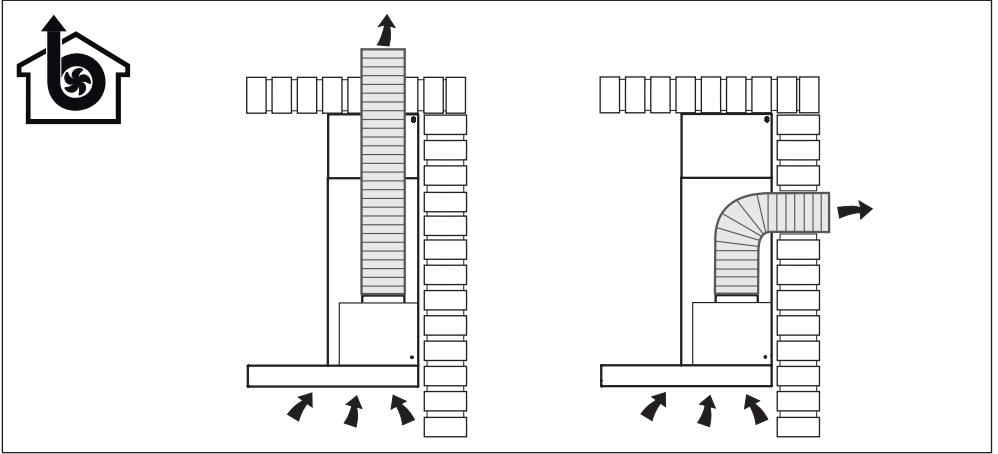


O = 2x

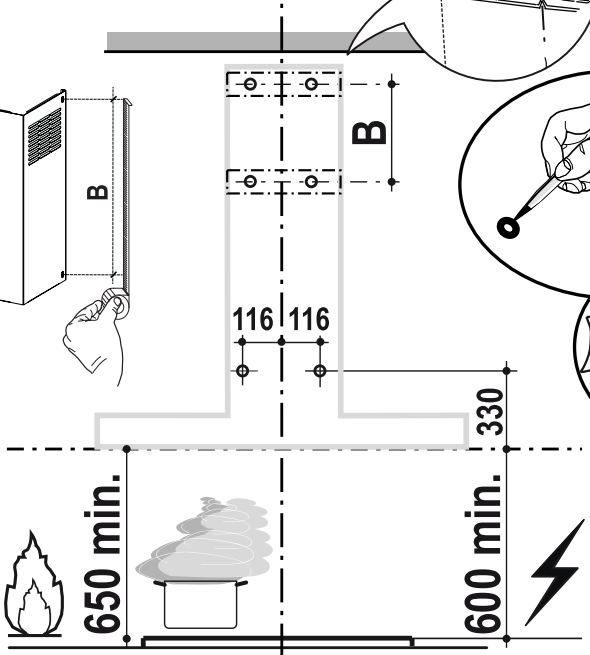
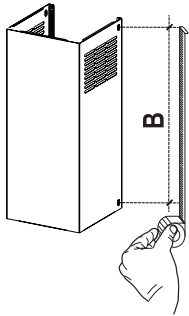




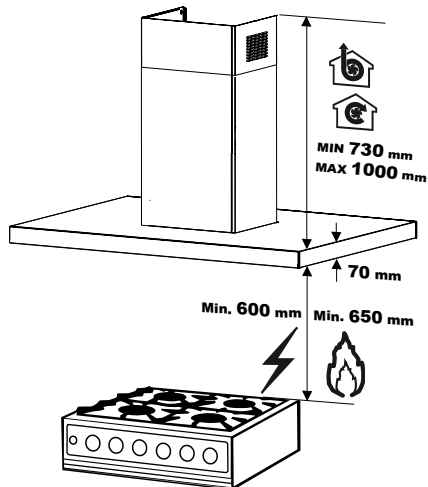


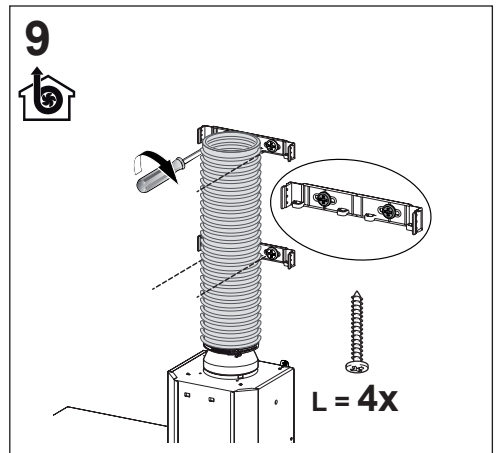
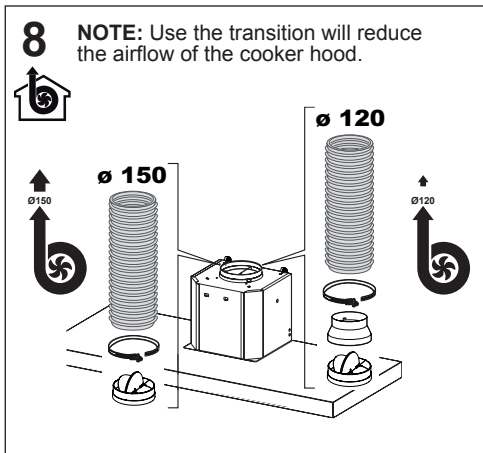
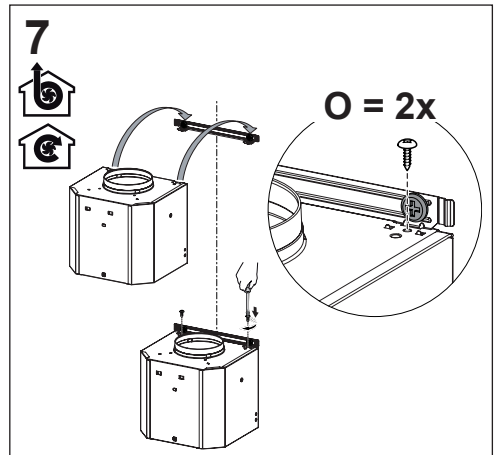
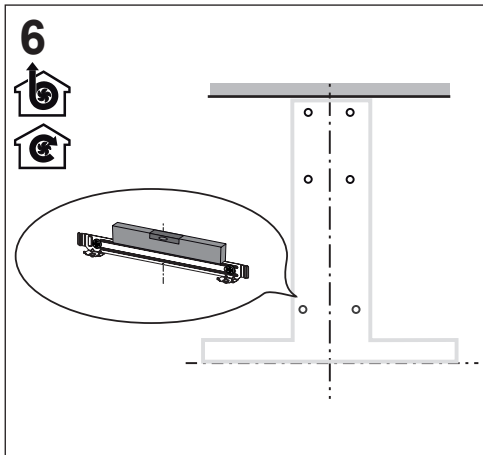
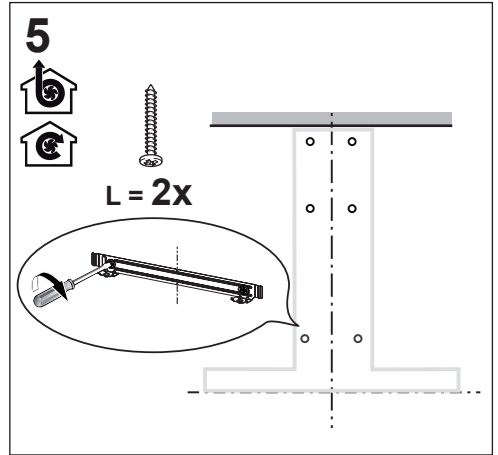
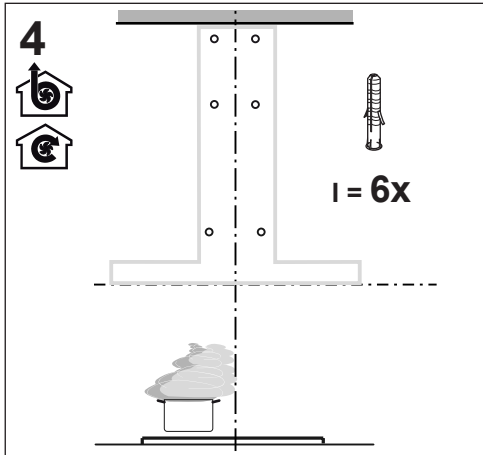


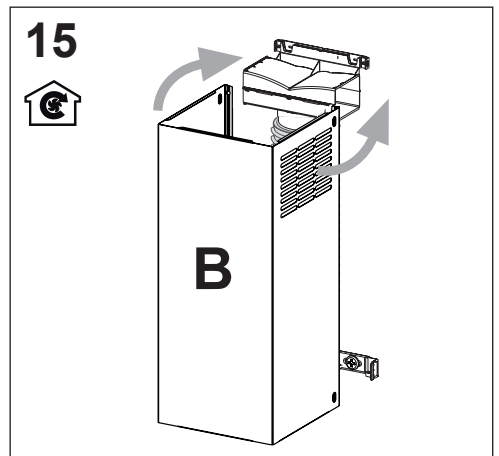
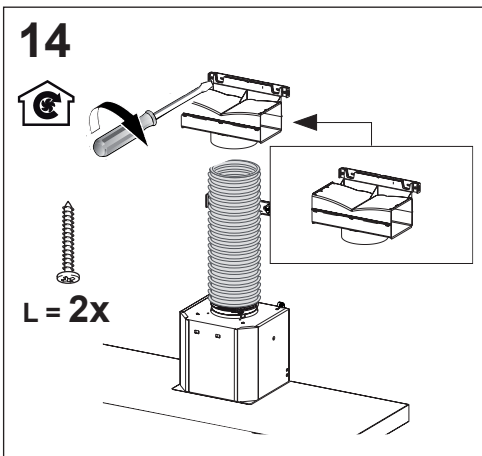
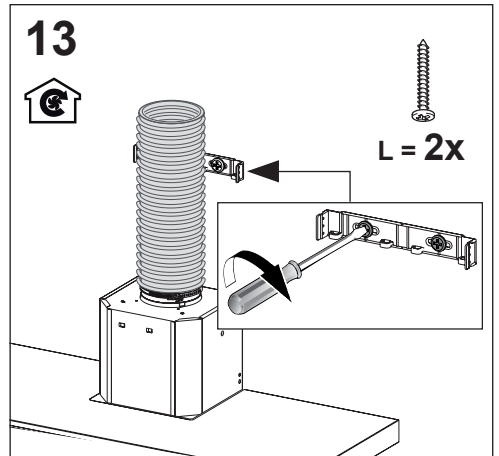
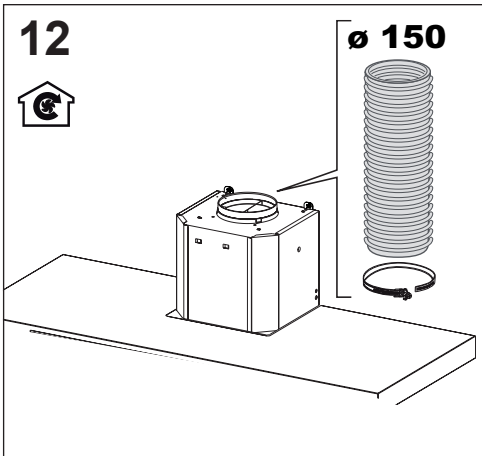
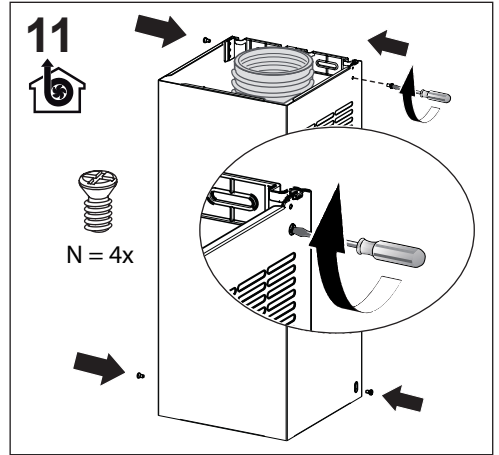
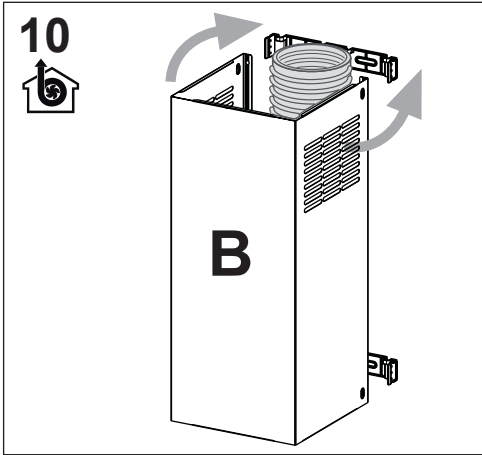
2

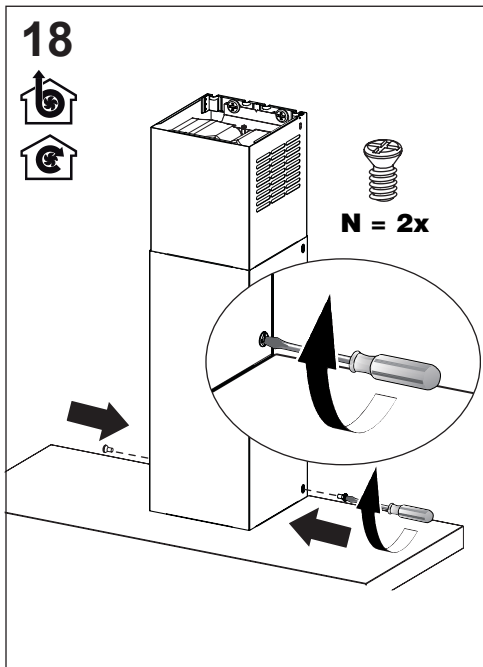
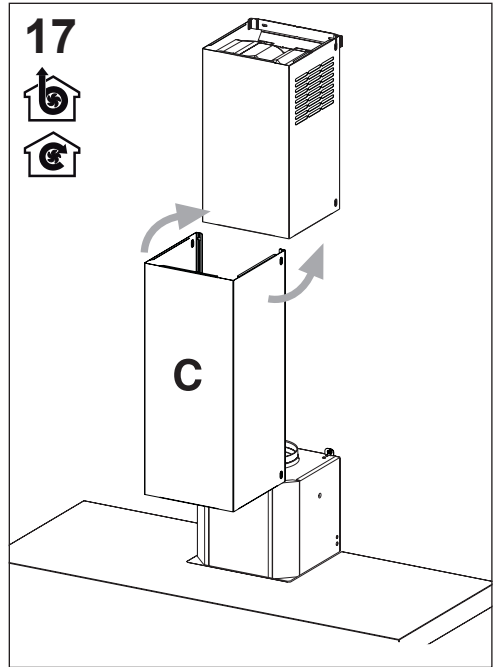
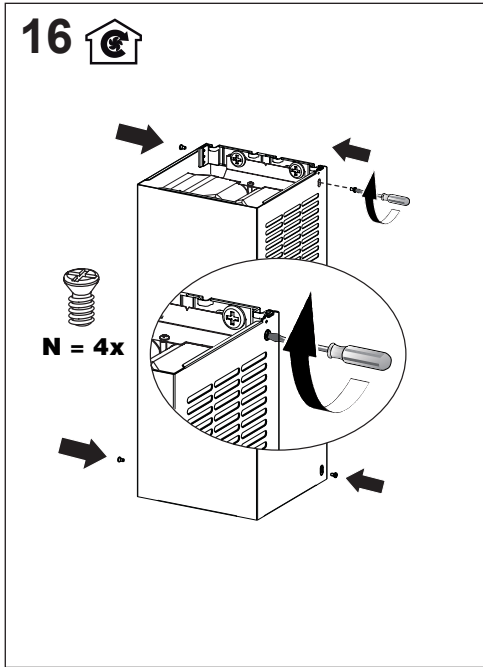


3

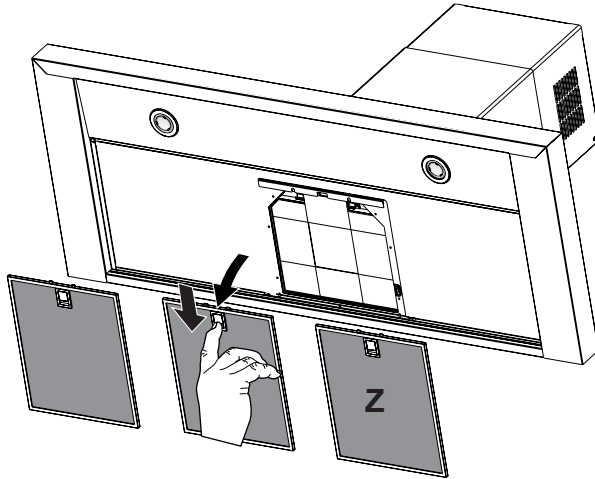




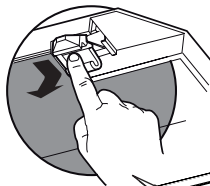
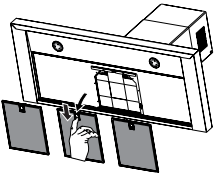




19



20



NOTE: Use the carbon filter will reduce the airflow of the cooker hood.

