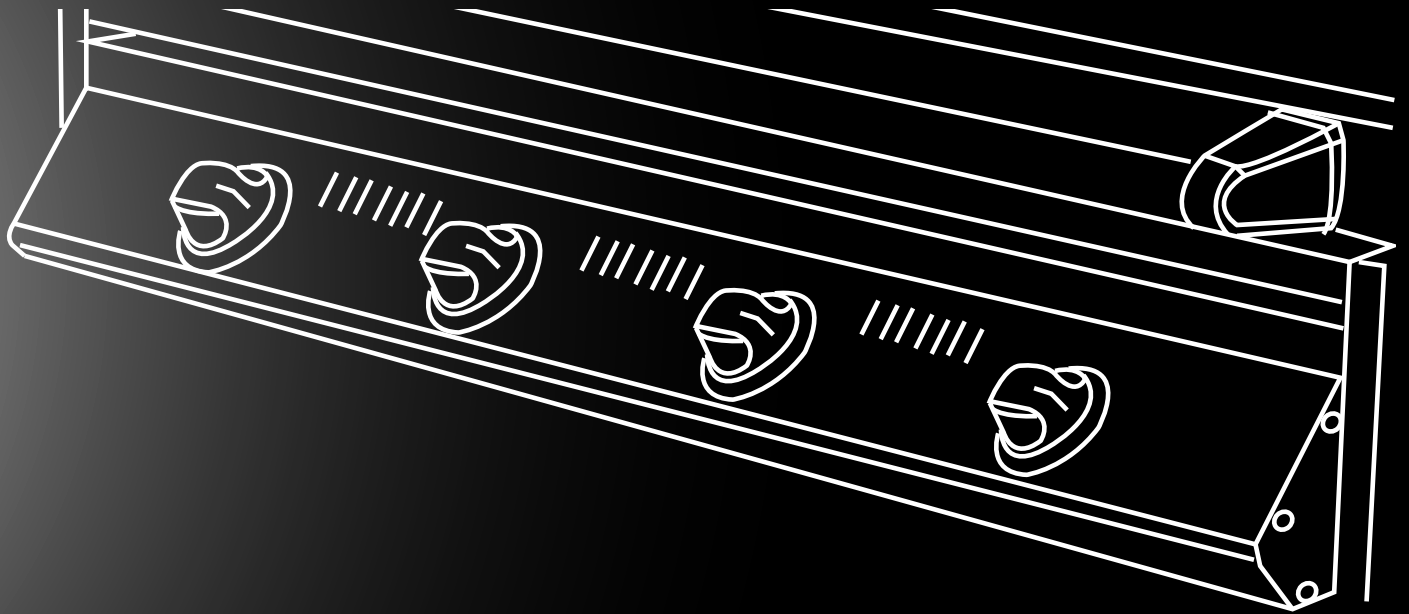




Assembly and Operating Instructions

SIGNATURE SERIES TRIM KIT



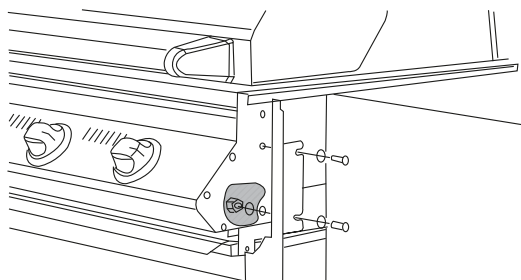
Contents

QTY	DESCRIPTION	QTY	DESCRIPTION
1	Front Cover	4	M6 x 12mm Screws
1+1	RH trim + LH trim	8	M6 Fiber Washers
1	Rear Cover	4	M6 Nuts
2	Small screws for handle	2	Small nuts for handle

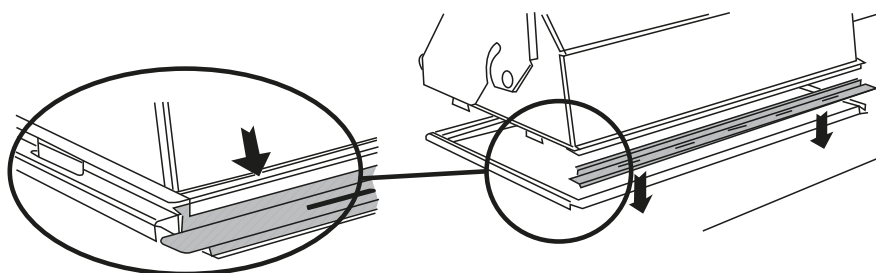
Instructions

NOTE: the full Barbecue assembly instructions can be found in the Barbecue Carton. These instructions only refer to placement of Trims in Built-In situations.

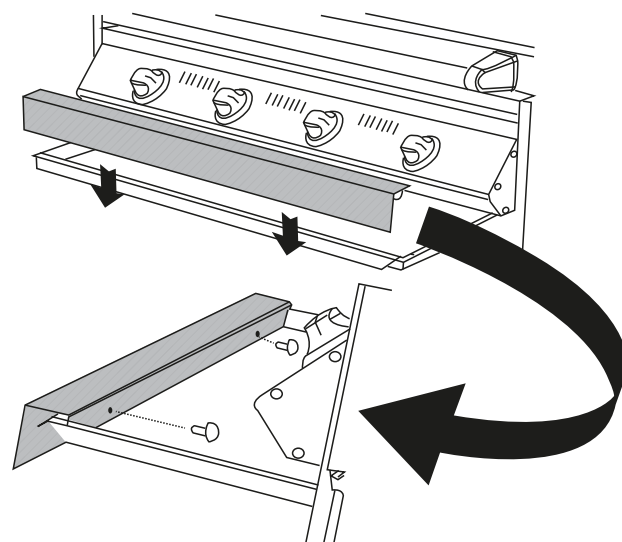
- 1) Pull the Barbecue out towards the front about 100mm, and attach the RH Trim and LH Trim to Barbecue body using 4 M6 x 12mm screws, 8 washers and 4 M6 nuts:



- 2) Push the BBQ back into its position in the bench, and attach rear cover by lifting the hood slightly, and placing the trim strip in between the body and the hood:



- 3) Pull Fat-Tray out half way, and attach the handle to place with 2 small screws and 2 nuts:



AUSTRALIA

phone: 1300 307 939
 fax: 1800 356 669
 email: customercare@electrolux.com.au
 web: beefeaterbbq.com

NEW ZEALAND

phone: 0800 436 245
 fax: 0800 225 088
 email: customercare@electrolux.co.nz
 web: beefeaterbbq.com