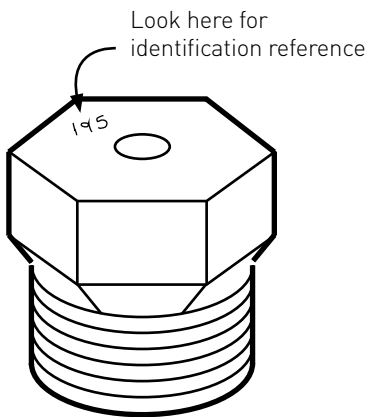


BUGG BBQ NATURAL GAS CONVERSION KIT

Kit Model 95140 includes:

- 2 x 1.50mm injectors (Part No. 040261)
- 2 x 1.83mm injectors (Part No. C090015NG Bigg Bugg Only)
- 2 x Aeration shutters (Part No. A04722501 Bigg Bugg Only)
- 1 x Natural Gas Label (020404)
- 1 x Hose and Regulator assembly (Part No. 95162)
- 1 x Restraining Cable (95111)
- 1 x Instructions 020686



Please read the user manual carefully and store in a handy place for later reference.

Important Safety Instructions



WARNING

All service to the appliance must be undertaken by a qualified gas service agent.

Do not smoke or use a naked flame within the vicinity of the appliance or gas line when performing gas conversion or service of any kind.

Always carry out a gas leak test after any work has been carried out on the appliance.

If your barbecue is fitted with an optional side burner, gas conversion must be carried out at the same time.

Always use the correct size socket spanner / wrench to remove or replace the gas injectors. Do not use pliers or any other type of tool that may squeeze the head of the gas injector. This may cause the gas orifice to change shape thereby adversely affecting the gas flow to each burner.

Gas injectors are made of brass and have a fine thread which must be treated with care when being handled. Remove and replace injectors with care.



WARNING

The manufacturer accepts no responsibility for any consequential damage, malfunction or loss due to incorrect conversion of installation.

FAILURE TO FOLLOW THESE INSTRUCTIONS WILL VOID THE APPLIANCE WARRANTY.

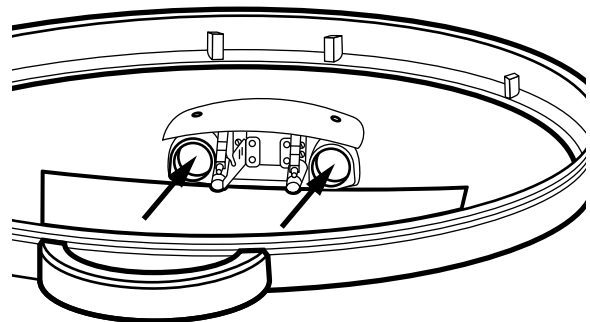


BIGG BUGG

INSTRUCTIONS FOR BIGG BUGG NATURAL GAS CONVERSION ARE DETAILED IN THE BIGG BUGG MANUAL SUPPLIED WITH THIS BBQ. FAILURE TO FOLLOW THOSE INSTRUCTIONS WILL VOID THE APPLIANCE WARRANTY

Remove and Replace Gas Injectors (Jets)

1. Turn off the gas supply valve on the gas cylinder. Ensure that all gas controls are in the OFF position.
2. Disconnect the hose and regulator from the gas cylinder and disconnect the gas hose from the barbecue gas inlet using a 19mm open-ended spanner / wrench.
3. Open hood and remove the cooking plate and grill from the BBQ.
4. Remove each burner by unscrewing the 3 screws holding it to the body.
5. The gas injectors (Jets) for each burner are located within deep pockets at the rear of the BBQ.



6. Remove each gas injector from the end of each jet holder, turning gently in a counter clockwise direction. Ensure the jet holder is firm and won't turn while unscrewing the nozzle.
7. Check the identification mark stamped on the Hex Head of the injector to confirm that it is the correct size – 1.50mm. Screw correct Jets back into place.
8. When fitting the NG gas injectors to the end of the jet holder be sure to seat the injector correctly on the thread before turning it in a clockwise direction until it is seated firmly in place. Do not over-tighten.

NATURAL GAS CONVERSION INSTRUCTIONS

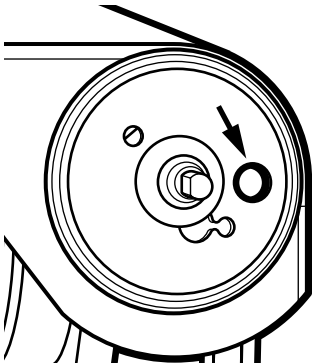


Replace all parts into position in the BBQ

Refit the burners and secure with the locking clips that hold each burner in position. Replace the cooking plate.

NOTE: Check the operation of each burner

Adjustment of Low Flame Control Screw



Adjustment must be carried out for each of the burners. Low flame adjustment screw is located in each valve, under the knob. To set the low flame adjustment for NG, the low flame adjustment screw is to be turned a full turn anticlockwise. Use a 4mm wide, flat blade screwdriver.

Gas Leak Test Procedure

Use the following procedure to check for gas leaks. Never use a naked flame to check for gas leaks.

1. In a small container, mix up a solution of water and detergent or soap. Mix the solution well.
2. For LPG make sure that the gas supply valve on the gas cylinder is turned on. For NG make sure that the gas line is correctly fitted to the appliance.
3. Make sure that the gas control valves on the appliance are all turned off.
4. Using a brush or spray bottle apply the solution to the gas line and each join in the gas line.
5. Bubbling of the solution will indicate that there is a leak present.
6. Re-tighten or re-seal any joints that are leaking.
7. If a leak persists then contact your distributor or the manufacturer for assistance.

Use the following procedure to test the pressure.

8. Remove the right hand side burner.
9. Place a hose and pressure gauge over the right hand side injector.
10. Turn the other burner on.
11. Turn the RH valve with measuring device on as well, and take reading.
12. With at least one burner operating, the pressure reading for Natural Gas should be 1.00KPa (10 mbar).

WARNING

If you smell gas:

1. Shut off gas to the appliance.
2. Extinguish any open flame.
3. Open lid.
4. If odour continues, immediately call your gas supplier or your fire department.

WARNING

1. Do not store or use gasoline or other flammable vapours or liquids in the vicinity of this or any other appliance.
2. An LPG cylinder not connected for use shall not be stored in the vicinity of this or any other appliance.

Replace the Data Label

Peel the gas type label from backing and cover existing data label to indicate Natural Gas.

Technical Data Clubman BBQ

Bugg BBQ	Main Burner
Natural Gas Jet size	1.50mm
LPG Jet size	0.9mm
Gas consumption	10Mj/9500BTU
Inlet pressure	NG: 1KPa LPG: 2.75 KPa

For more information on all BeefEater products, or for dimension and installation information, call into your retailer, phone or email our customer care team or visit our website:

AUSTRALIA

phone: 1300 307 939
fax: 1800 356 669
email: customercare@electrolux.com.au
web: beefeaterbbq.com

NEW ZEALAND

phone: 0800 436 245
fax: 0800 225 088
email: customercare@electrolux.co.nz
web: beefeaterbbq.com